

Connectors, Cables & IO Systems



Contents

Company Profile.....	3
IO-LINK Systems.....	4
AM08 Series.....	20
AM09 Series.....	42
AM12 A Series.....	50
AM12 B Series.....	106
AM12 D Series.....	114
AM12 X Series.....	124
AM12 T Series	130
AM12 S Series.....	140
AM12 L Series.....	148
AM12 K Series.....	154
AM12 M Series.....	160
AM16 Series.....	168
AM78 Series.....	240
SC19 Series.....	248
SC16 Series.....	249
CIO HDMI Series	252
AIO RJ45 Series.....	254
AIO USB Series	255
AIO TYPE-C Series.....	256
AM23 Series.....	258



Amissiontech is located in Dongguan, a city in the south of China and covers an area of 2500 sqm including an office, R&D center, lab and assembly workshops. For more than 10 years, Amissiontech manufacturing industrial connectors, cable harnesses with UL/CE/ISO certifications offers high-quality and cost-effective solutions under **AMSONE**® brand and has been a trusted partner for industrial connectivity.

Since then, Amissiontech and its sister companies, who focus on PCB manufacturing and Electronic Contract Manufacturing with MES (Manufacturing Execution System) for traceable quality control for mass production, joined forces forming a strategic alliance to consistently deliver high-performance solutions for an increasingly digital and data-driven world.

Combined with a professional management team for supply chain and resources integration, Amissiontech expands to play a role in the fields of industrial automation, infrastructure connectivity and cybersecurity by launching new products, network modules, within the category of I/O systems.

From now on, Amissiontech aims to transform itself from a connector & cable company to a signal transmission solutions provider with a complete product portfolio including connectors, cables, networking products and assemblies. To drive business growth & innovation, we will continuously engineer and manufacture essential technology solutions and make sure all our customers pay reasonable prices and get qualified products and services.

For more information: www.amissiontech.com



IO Link Systems



- 1 Application-focused design capabilities
- 2 Manufacturer guaranteed quality products
- 3 Solutions Provider
- 4 **ONE**-stop services for industrial connectors and cable assemblies
- 5 Flexible customization solutions for IO systems



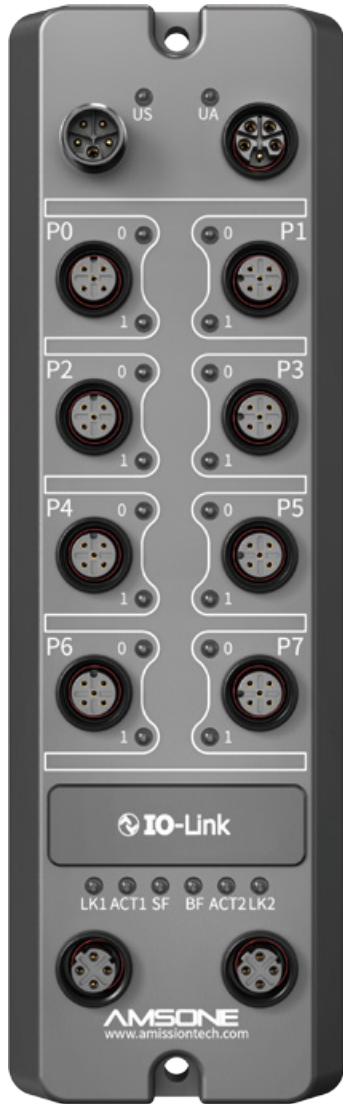
Connectors

Connection type

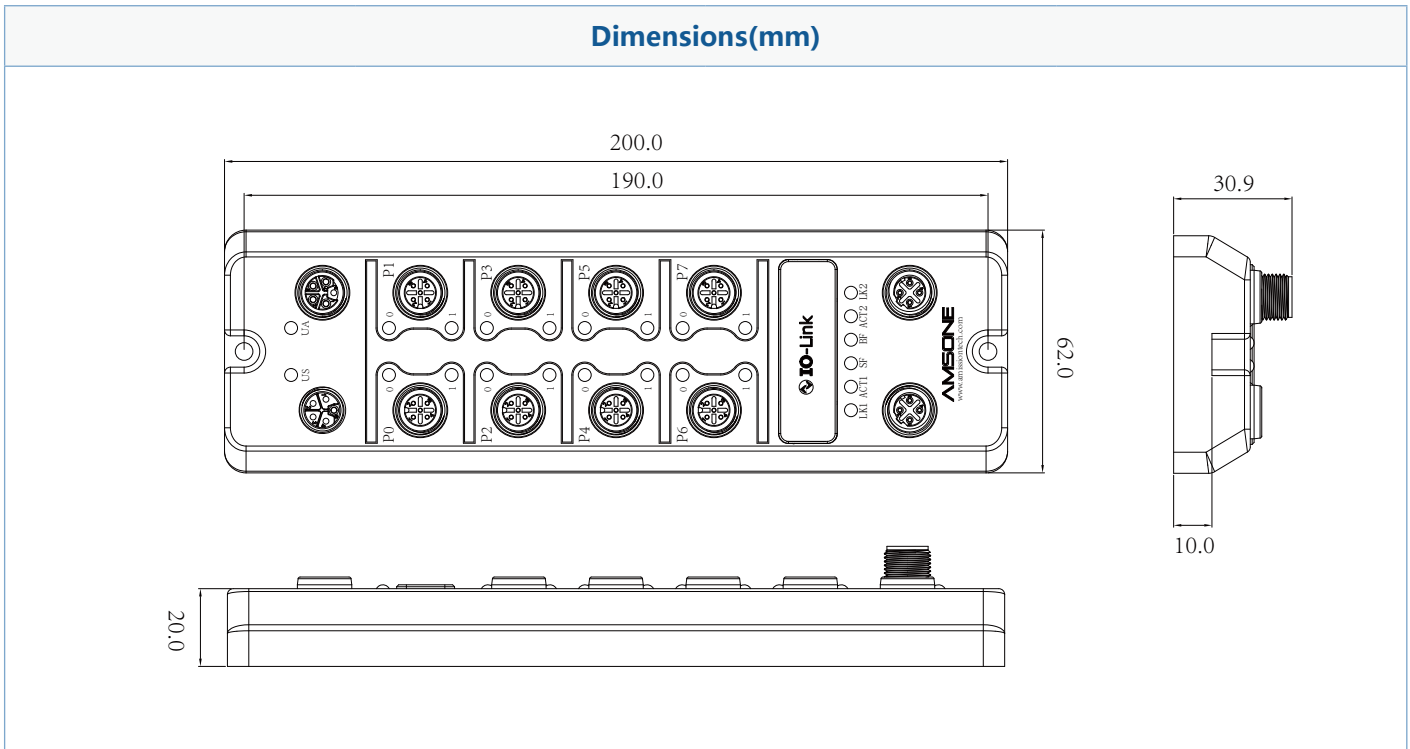
Series	No.of contacts	Protection degree	Voltage	current	EMC	Solder	Dip Solder	SMT	Screw	Crimp	Pre-molded cable
AM08	3, 4	IP67	60V	4A	✓	✓	✓	✓			✓
	5	IP67	30V	3A	✓	✓	✓	✓			✓
	6, 8	IP67	30V	2A	✓	✓	✓	✓			✓
AM09	2, 3	IP67	125V	4A	✓	✓	✓				✓
	4, 5	IP67	125V	3A	✓	✓	✓				✓
	6 - 8	IP67	125V	1A		✓	✓				✓
AM12 A	3, 4	IP67	250V	4A	✓	✓	✓		✓		✓
	5	IP67	60V	4A	✓	✓	✓		✓		✓
	8	IP67	30V	2A	✓	✓	✓				✓
	12,17	IP67	30V	1.5A	✓	✓	✓				✓
AM12 B	4	IP67	250V	4A	✓	✓	✓			✓	✓
	5	IP67	60V	4A	✓	✓	✓				✓
AM12 D	4	IP67	250V	4A	✓	✓	✓		✓		✓
AM12 X	8	IP67	60V	0.5A	✓	✓					✓
AM12 T	3, 4	IP67	63V	12A	✓	✓					✓
AM12 S	2+PE, 3+PE	IP67	630V	12A	✓	✓					✓
AM12 L	2+PE, 3+PE, 4+PE, 2, 3, 4	IP67	63V	16A	✓	✓					✓
AM12 K	2+PE, 3+PE, 4+PE	IP67	630V	12A	✓	✓					✓
AM12 M	2+PE, 3+PE, 4+PE, 5+PE	IP67	630V	8A	✓	✓					✓
AM12 Y	4+4	IP67	30V	0.5A/6A	✓	✓					✓
AM16	3, 4, 5, 6	IP67	250V	5A	✓	✓	✓				✓
	5, 7, 8	IP67	60V	5A	✓	✓	✓				✓
	7	IP67	125V	5A	✓	✓	✓				✓
	12,14,16,19	IP67	60V	3A	✓	✓	✓				✓
	24	IP67	60V	1A	✓	✓	✓				✓
AM78	3, 4, 5, 6	IP67	600V	12A	✓	✓					✓
SC19	2, 4	Underwater 450M	500V	16A						✓	✓
SC16	4, 8	Underwater 450M	60V	1.5A						✓	✓
IO HDMI	19	IP65	40V	0.5A	✓	✓					✓
IO RJ45	8	IP65	30V	1A	✓	✓					✓
IO USB	4	IP65	30V	1A	✓	✓					✓
IO TYPE C	24	IP65	5V	3A	✓	✓					✓
AM23	6	IP67	250V	20A	✓	✓	✓			✓	✓
	9(3+6)	IP67	300V	8A/20A	✓	✓	✓			✓	✓
	12,17	IP67	150V	8A	✓	✓	✓			✓	✓
	19(3+16)	IP67	150V	8A/10A	✓	✓	✓			✓	✓
AM24	2, 3, 4	IP67	500V	30A	✓	✓	✓				
	9(4+5)	IP67	500V	5A/20A	✓	✓	✓				
	12	IP67	400V	10A	✓	✓	✓				
	19	IP67	300V	5A	✓	✓	✓				

Category				Locking system				Certified				
Rear mount	Front mount	Flange mount	Field assembly	Screw	Bayonet	Snap-in	Push-Pull	UL / CE / RoHS / REACH				
✓	✓		✓	M8*1				✓	✓	✓		
✓	✓		✓						✓	✓	✓	
✓	✓		✓						✓	✓	✓	
✓			✓	M9*0.5						✓	✓	
✓			✓							✓	✓	
✓			✓							✓	✓	
✓	✓		✓	M12*1		✓	✓	✓	✓	✓	✓	
✓	✓		✓			✓	✓	✓	✓	✓	✓	
✓	✓		✓			✓	✓	✓	✓	✓	✓	
✓	✓		✓			✓	✓	✓	✓	✓	✓	
✓	✓		✓			✓	✓	✓	✓	✓	✓	
✓	✓		✓			✓	✓	✓	✓	✓	✓	
✓	✓		✓			✓	✓	✓	✓	✓	✓	
✓	✓		✓			✓	✓	✓	✓	✓	✓	
✓	✓		✓			✓	✓	✓	✓	✓	✓	
✓	✓		✓			✓	✓	✓	✓	✓	✓	
✓	✓		✓			✓	✓	✓	✓	✓	✓	
✓	✓		✓		M16*0.75				✓	✓	✓	✓
✓	✓		✓						✓	✓	✓	✓
✓	✓		✓						✓	✓	✓	✓
✓	✓		✓						✓	✓	✓	✓
✓	✓		✓						✓	✓	✓	✓
✓	✓			7/8" -16UNF				✓	✓	✓	✓	
	✓						✓			✓	✓	
	✓							✓			✓	✓
		✓					✓			✓	✓	
✓	✓			13/16" -28UNS						✓	✓	
✓	✓										✓	✓
✓	✓										✓	✓
✓		✓	✓	M23*1						✓	✓	
✓		✓	✓								✓	✓
✓		✓	✓								✓	✓
✓		✓	✓								✓	✓
✓			✓			✓				✓	✓	
✓			✓			✓					✓	✓
✓			✓			✓					✓	✓
✓			✓			✓					✓	✓

IO-Link Master (Single-Protocol)

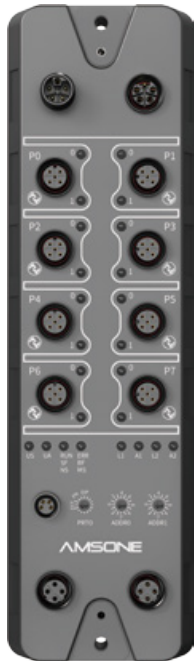


Basic Parameters		
Order Coded	ALM-PNA1-010XXX	ALM-ECA1-010XXX
Ethernet Protocol	Profinet	EtherCAT
Address Configuration	Ethernet configuration	
IOL Version	V1.1	
IOL communication Rates	COM3 (230.4Kbps), COM2 (38.4Kbps), COM1 (4.8Kbps)	
IOL Port Class	8* Class A	
IOL Channels	Max 8 channels (configurable)	
SIO Channels	Max 16 channels DI / DO (configurable)	
Digital Output Type	PNP, 2A/Channel	
Digital Input Type	PNP	
Rated Voltage	24V DC (18~30.2V)	
Rated Current	9A	
Protection / Diagnosis	Short Circuit Protection	
Locking Mechanism	Threaded	
Housing Material	Metal	
Power Connector	IN: M12 L-Coded 5Pin Male OUT: M12 L-Coded 5Pin Female	
Fieldbus Connector	2 * M12 D-Coded 4Pin Female	
IOL/SIO Connector	8 * M12 A-Coded 5Pin Female	
Dimensions(L×W×H)	200x62x30mm	
Weight	≈0.6kg	
Environmental Parameters		
Protection grade	IP67(Correct connection), Acc.IEC 60529	
Operating temperature	-25 ~ +70°C	
Storage temperature	-40~+80°C	
IO Tightening torque	0.5Nm	
Application environment	Acc. IEC 61131	
Vibration testing	IEC 60068-2-64 / IEC 60068-2-6	
Impact testing	IEC 60068-2-27	
Free fall test	IEC 60068-2-32	
EMC	Acc. IEC 61000-4-2,-3,-4	
Fasteners	2 Mounting holes fixed with M4 screws	

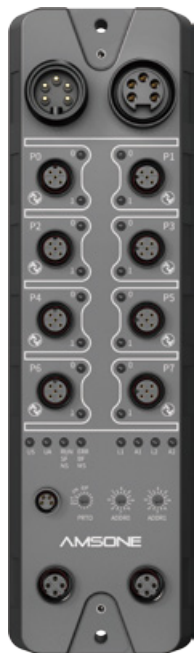


Power Connector		Pins	Function
M12 L- Coded Male	M12 L - Coded Female	1	US+
		2	GND
		3	GND
		4	UA+
		5	PE
Ethernet port		Pins	Function
M12 D-Coded 4Pin Female		1	TD+
		2	RD+
		3	TD-
		4	RD-
IOL/SIO Connector		Pins	Function
M12 A-Coded 5Pin Female		1	24V
		2	SIO: DI / DO
		3	GND
		4	C/Q: IO-Link / DI / DO
		5	PE

IO-Link Master (Multi-Protocol)



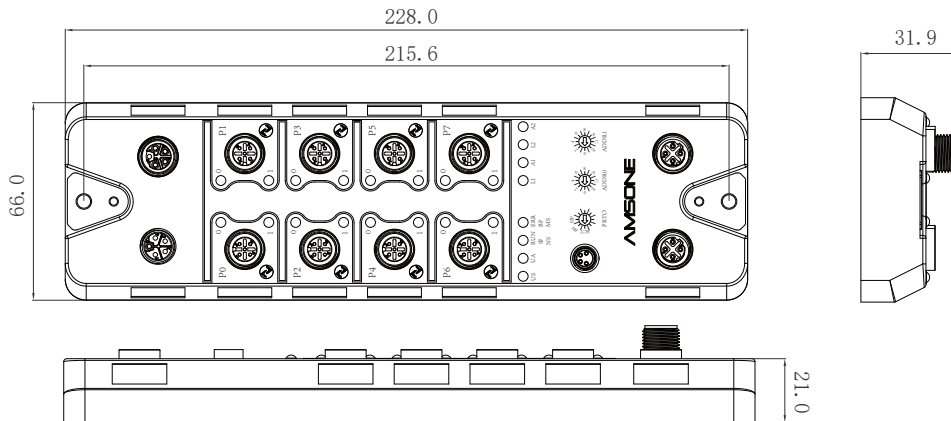
Products ①



Products ②







Basic Parameters			
Order Coded	ALM-MPA1-030XXX	ALM-MPA1-041XXX	ALM-MPA1-051XXX
Ethernet Protocol	Profinet / EtherCat / Ethernet/IP		
Address Configuration	Rotary DIP Switch		
IOL Version	V1.1		
IOL communication Rates	COM3 (230.4Kbps), COM2 (38.4Kbps), COM1 (4.8Kbps)		
IOL Port Class	8* Class A		
IOL Channels	Max 8 channels (configurable)		
SIO Channels	Max 16 channels DI / DO (configurable)		
Digital Output Type	PNP, 2A/Channel		
Digital Input Type	PNP		
Rated Voltage	24V DC (18~30.2V)		
Rated Current	10A		
Protection / Diagnosis	Temperature Alarm; Undervoltage Detection; Overvoltage / Short Circuit / Overcurrent Protection		
Locking Mechanism	Threaded		
Housing Material	Metal	Plastic	
Power Connector	IN:M12 L-Codedd 5Pin Male OUT: M12 L-Codedd 5Pin Female (①)		IN:7/8" 5Pin Male (②) OUT:7/8" 5Pin Female
Fieldbus Connector	2 * M12 D-Coded 4Pin Female		
IOL/SIO Connector	8 * M12 A-Coded 5Pin Female		
Dimensions(L×W×H)	228×66×31.9mm		
Weight	≈0.5kg		
Enviromental Parameters			
Protection grade	IP67(Correct connection), Acc.IEC 60529		
Operating temperature	-25 ~ +70°C		
Storage temperature	-40~+80°C		
IO Tightening torque	0.5Nm		
Application environment	Acc. IEC 61131		
Vibration testing	IEC 60068-2-64 / IEC 60068-2-6		
Impact testing	IEC 60068-2-27		
Free fall test	IEC 60068-2-32		
EMC	Acc. IEC 61000-4-2,-3,-4		
Fasteners	2 Mounting holes fixed with M4 screws		

Dimensions(mm)

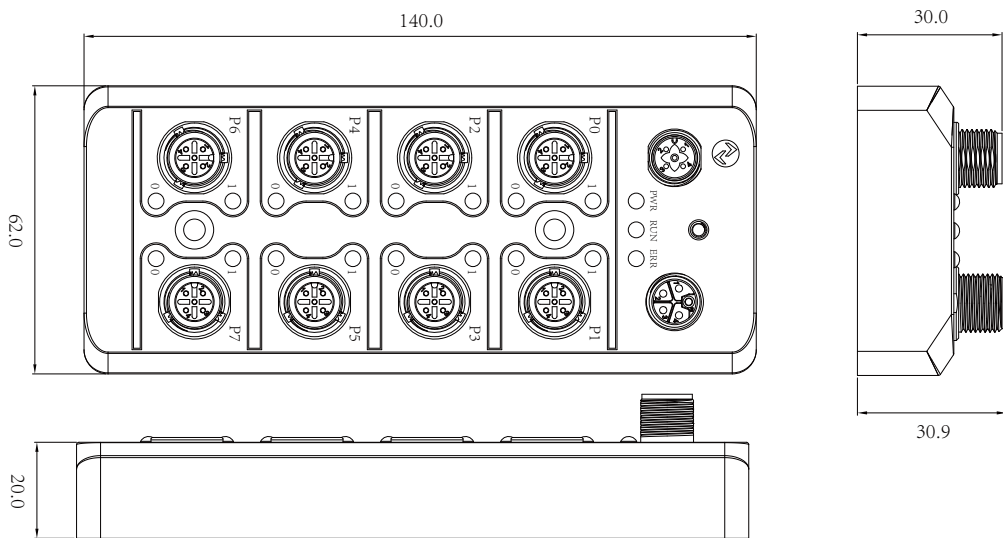


Power Connector		Pins	Function
M12 L- Coded Male	M12 L - Coded Female	1	US+
		2	GND
		3	GND
		4	UA+
		5	PE
Power Connector		Pins	Function
7/8" Male	7/8" Female	1	GND
		2	GND
		3	PE
		4	US+
		5	UA-
Ethernet Connector		Pins	Function
M12 D-Coded 4Pin Female		1	TD+
		2	RD+
		3	TD-
		4	RD-
IOL/SIO Connector		Pins	Function
M12 A-Coded 5Pin Female		1	24V
		2	SIO: DI / DO
		3	GND
		4	C/Q: IO-Link / DI / DO
		5	PE

IO-Link Device (PNP Hub)




Basic Parameters						
Order Coded	ALD-HBP1-310XXX	ALD-HBP2-330XXX	ALD-HBP1-351XXX	ALD-HBP2-364XXX	ALD-HBP1-372XXX	ALD-HBP2-382XXX
Products Img.						
Digital Input	PNP					
Digital Output	PNP, 0.5A/channel	PNP, 2A/channel	PNP, 0.5A/channel	PNP, 2A/channel	PNP, 0.5A/channel	PNP, 2A/channel
Rated Current	4A	12A	4A	12A	4A	12A
Locking Method	Metal thread		Metal thread / bayonet		Plastic thread	
Housing Material	Metal		Plastic			
Rated Voltage	24V DC(18~30.2V)					
Communication Protocol	IO-Link V1.1					
Minimum cycle period	3ms					
Communication Rate	COM2 (38.4Kbps)					
Process Data (PD)	2 Input Byte, 2 Output Byte					
Firmware Upgrade	Supported					
Data Storage (DS)	Supported					
IOL Connector	1*M12 A-Coded 5Pin Male					
SIO Signal Connector	8*M12 A-Coded 5Pin Female					
Auxiliary Power Connector	1*M12 L-Coded 5Pin (Only provided for models with rated current >4A)					
Signal Type	Digital					
Channels	16 Channels DI / DO (configurable)					
Protection / Diagnosis	Temperature Alarm; Undervoltage Detection; Overvoltage / Short Circuit / Overcurrent Protection					
Dimensions (L x W x H)	140x62x30mm					
Weight	≈ 0.43kg					
Environmental Parameters						
Protection grade	IP67(Correct connection), Acc.IEC 60529		Vibration testing	IEC 60068-2-64 / IEC 60068-2-6		
Operating temperature	-25 ~ +70°C		Impact testing	IEC 60068-2-27		
Storage temperature	-40~+80°C		Free fall test	IEC 60068-2-32		
IO Tightening torque	0.5Nm		EMC	Acc. IEC 61000-4-2,-3,-4		
Application environment	Acc. IEC 61131		Fasteners	2 Mounting holes fixed with M4 screws		

Dimensions(mm)

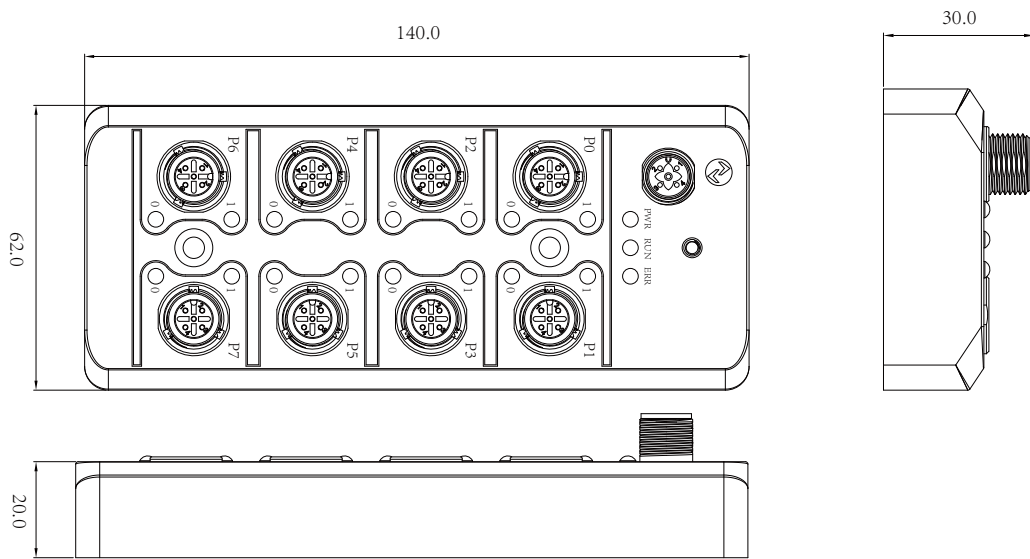


Power Connector		Pins	Function
M12 L-Coded Male	M12 L-Coded Female	1	UA+
		2	GND
		3	GND
		4	UA+
		5	PE
IOL Connector		Pins	Function
M12 A-Coded 5Pin Male		1	US+
		2	UA+
		3	GND
		4	C/Q: IO-Link
		5	NC
IO Connector		Pins	Function
M12 A-Coded 5Pin Female		1	24V
		2	SIO: DI / DO
		3	GND
		4	SIO: DI / DO
		5	PE

IO-Link Device (NPN Hub)

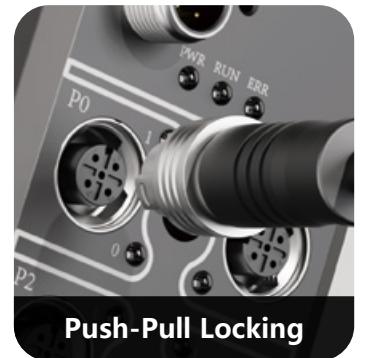
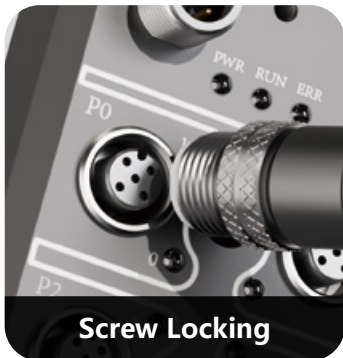
Basic Parameters			
Order Coded	ALD-HBN1-310XXX	ALD-HBN1-354XXX	ALD-HBN1-372XXX
Products Img.			
Digital Input	NPN		
Digital Output	NPN, 0.5A/channel		
Rated Current	4A		
Locking Method	Metal thread	Metal thread / bayonet	Plastic thread
Housing Material	Metal	Plastic	
Rated Voltage	24V DC(18 - 30.2V)		
Communication Protocol	IO-Link V1.1		
Minimum cycle period	3ms		
Communication Rate	COM2(38.4Kbps)		
Process Data (PD)	2 Input Byte, 2 Output Byte		
Firmware Upgrade	Supported		
Data Storage (DS)	Supported		
IOL Connector	1*M12 A-Coded 5Pin Male		
SIO Signal Connector	8*M12 A-Coded 5Pin Female		
Auxiliary Power Connector	null		
Signal Type	Digital		
Channels	16 channels DI / DO (configurable)		
Protection / Diagnosis	Temperature Alarm; Undervoltage Detection; Overvoltage / Short Circuit / Overcurrent Protection		
Dimensions (L x W x H)	140x62x30mm		
Weight	≈ 0.43kg		
Environmental Parameters			
Protection grade	IP67(Correct connection), Acc.IEC 60529	Vibration testing	IEC 60068-2-64 / IEC 60068-2-6
Operating temperature	-25 ~ +70°C	Impact testing	IEC 60068-2-27
Storage temperature	-40~+80°C	Free fall test	IEC 60068-2-32
IO Tightening torque	0.5Nm	EMC	Acc. IEC 61000-4-2,-3,-4
Application environment	Acc. IEC 61131	Fasteners	2 Mounting holes fixed with M4 screws

Dimensions(mm)



IOL Connector	Pins	Function
M12 A-Coded 5Pin Male	1	US+
	2	UA+
	3	GND
	4	C/Q: IO-Link
	5	NC
	IO Connector	Pins
M12 A-Coded 5Pin Female	1	24V
	2	SIO: DI / DO
	3	GND
	4	SIO: DI / DO
	5	PE

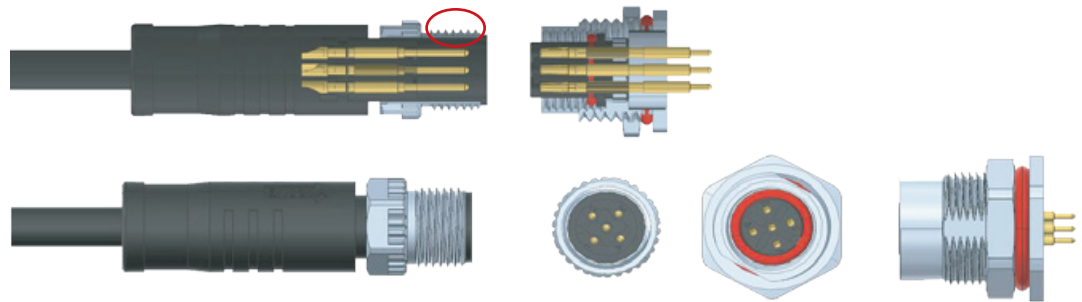
Optional locking systems



1. Screw Locking >>

M12 Connectors, Standard According to IEC 61076-2-101-2012

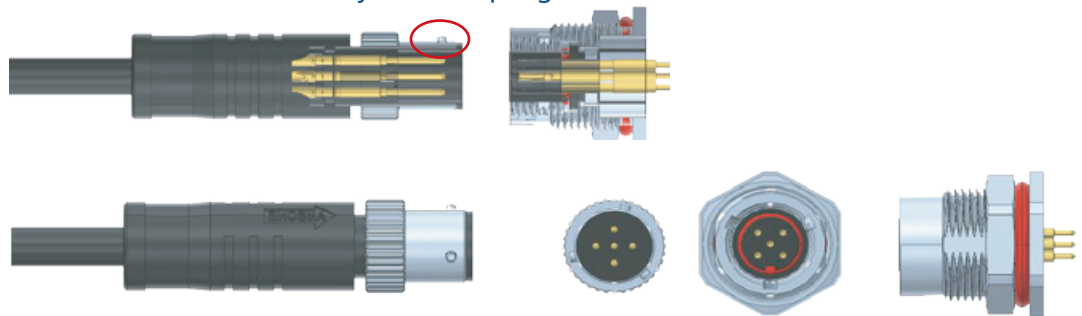
Screw Locking



2. Bayonet Locking >>

M12 Connectors, Standard According to IEC 61076-2-011-2021

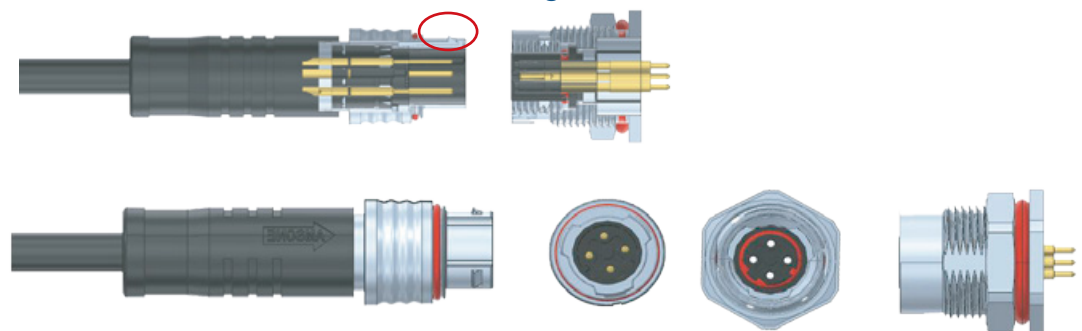
Bayonet Coupling



3. Push-Pull Locking >>

M12 Connectors, Standard According to IEC 61076-2-012-2020

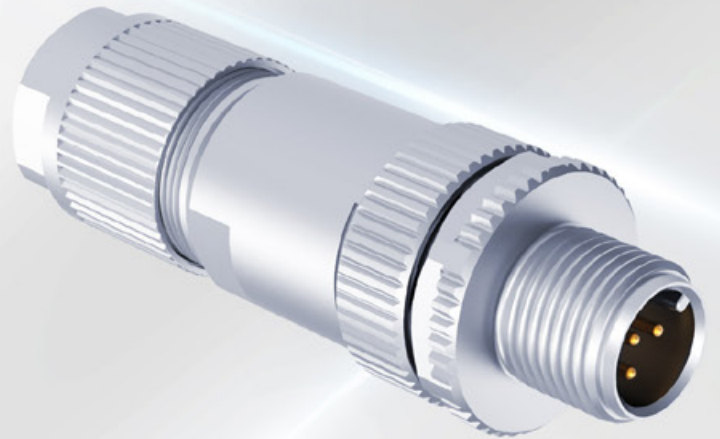
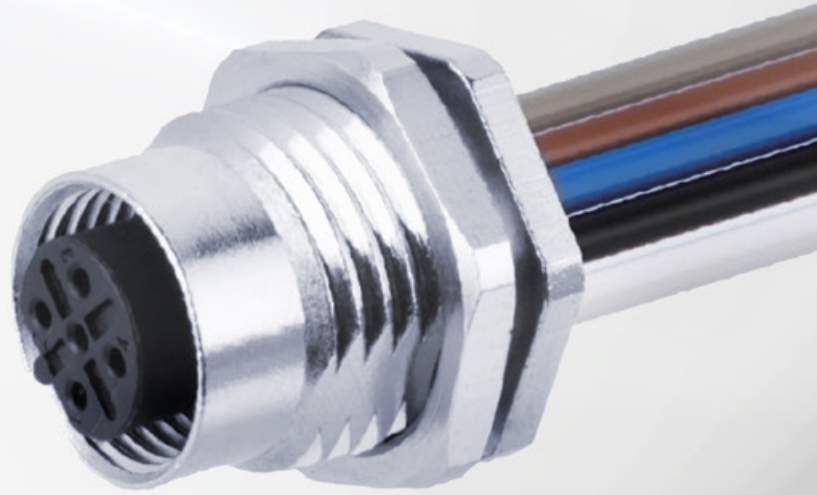
Push-Pull Locking



IO Connectors,Cables & Accessories

Type	Order Coded	Description	Images
Cable	AM12M0511A421-010	M12 Pre-Molded Cable,5Pins,A Code, Male/Female, Straight, Cable Assembly, L=1000mm	
Cable	AM12M0511A141-010	M12 Pre-Molded Cable,5Pins,A Code, Male, Straight/Free end, Cable Assembly, L=1000mm	
Cable	AM12F0511A141-010	M12 Pre-Molded Cable,5Pins,A Code, Female, Straight/Free end, Cable Assembly, L=1000mm	
Cable	AM12M0511A142-010	M12 Pre-Molded Cable,5Pins,A Code, Male, Angled/Free end, Cable Assembly, L=1000mm	
Cable	AM12F0511A142-010	M12 Pre-Molded Cable,5Pins,A Code, Female, Angled/Free end, Cable Assembly, L=1000mm	
Cable	AM12M0411D235-010	M12 Pre-Molded Cable,5Pins,D Code, Male, Straight/Free end, Cable Assembly, L=1000mm	
Cable	AM12M0411D631-010	M12 Pre-Molded Cable,4Pins,D Code, Male, Straight/RJ45 Plug, ProfiNet Cable, L=1000mm	
Cable	AM12M0511L171-010	M12 Pre-Molded Cable,5Pins,L Code, Male, Straight/Free end, Cable Assembly, L=1000mm	
Cable	AM12F0511L171-010	M12 Pre-Molded Cable,5Pins,L Code, Female, Straight/Free end, Cable Assembly, L=1000mm	
Connector	AM12M0514A005	M12 Cable Connector,5Pins, Male, A Code, Straight, Field Assembly, Screw Connection, Plastic Shell, Ø4-8mm	
Connector	AM12F0514A006	M12 Cable Connector,5Pins, Female, A Code, Straight, Field Assembly, Screw Connection, Plastic Shell, Ø4-8mm	

Type	Order Coded	Description	Images
Connector	AM12M0514A010	M12 Cable Connector,5Pins,Male,A Code,Angled,Field Assembly,Screw Connection,Plastic Shell,Ø4-8mm	
Connector	AM12F0514A010	M12 Cable Connector,5Pins,Female,A Code,Angled,Field Assembly,Screw Connection,Plastic Shell,Ø4-8mm	
Connector	AM12M0514A004	M12 Cable Connector,5Pins,Male,A Code,Straight,Field Assembly,Screw Connection,Metal Shell Shield,Ø4-8mm	
Connector	AM12F0514A005	M12 Cable Connector,5Pins,Female,A Code,Straight,Field Assembly,Screw Connection,Metal Shell Shield,Ø4-8mm	
Connector	AM12M0514A011	M12 Cable Connector,5Pins,Male,A Code,Angled,Field Assembly,Screw Connection,Metal Shell Shield,Ø4-8mm	
Connector	AM12F0514A018	M12 Cable Connector,5Pins,Female,A Code,Angled,Field Assembly,Screw Connection,Metal Shell Shield,Ø4-8mm	
Adapter	AM12Y05MFF000-A01	M12 Y-Splitter 5Pins A Code Male / Female / Female Overmolded Adapter	
Protective Cap	AM12MCAPM001	M12 Male Connector Protective Cap Metal With Chain	
Protective Cap	AM12FCAPM001	M12 Female Connector Protective Cap Metal With Chain	
Protective Cap	AM12MCAPP001	M12 Male Connector Protective Cap Plastic	
Protective Cap	AM12FCAPP001	M12 Female Connector Protective Cap Plastic	



Connectors & Cables Main Products



@ AM08, AM09 & AM12

A, B, D, X, T, S, L, M, K coding

Data series up to 10 Gbps transmission speed

For signal, data and power transmission, Power series up to 16A

IP67 degree of protection



@ AM16

Contacts: 3-8, 12, 14, 16, 19, 24

IP67 degree of protection, shieldable

5G standard (AISG C485 compatible)

UL listed under E517859



@ AM78

Contacts: 3(2+PE), 4(3+PE), 5(4+PE), 6(5+PE)

IP67 degree of protection

UL listed under E517859



@ Underwater connectors & cables

Contacts: 2, 2+2, 2+6, 8

Underwater 450M

Customized connectors & cables



@ I/O Connectors

RJ45, USB TYPE-A, USB TYPE-C, HDMI

IP65 degree of protection

1 Customized connectors & cables

2 Application-focused design capabilities

3 In-house manufacturer guaranteed quality products

4 Flexible customization solutions

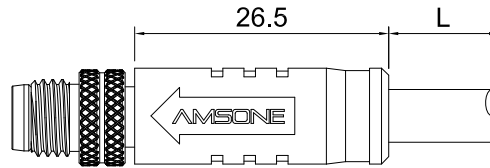
5 All-in-ONE services for industrial connectors and cable assemblies

6 ISO9001 & UL certified manufacturer

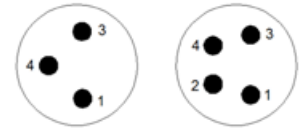
Product Description: M8 pre-molded cable connector, male, contacts: 3, 4, solder connection, straight, IP67



Illustration



Drawings



Pin assignment

Technical data

General

Standard	IEC61076-2-104
Locking system	Fix screw locking
Gender	Male
Series	AM08
Coding	A
Torque	0.2N.M
Category	Pre-molded cable
Connection type	Solder connection
Cable outlet	variable
Custom tariff number	85444290
Country of origin	China

Electrical

Rated current	4A
Rated voltage	60V
Rated Impulse voltage	500V
Insulation resistance	≥ 100 MΩ
EMC compliance	Optional
Degree of protection	IP67
Mechanical operation	> 100 mating cycles
Operating temperature	-25°C ~ 85°C

Cable

Cable type	UL Style
Conductor cross section	0.34mm ²
Wire gauge	22AWG
Jacket	PVC/TPU
Temperature	-25°C ~ 85°C
Other resistance	UV resistant (720 h) UL 2556 Premium oil resistance (jacket)
Wire colour	variable
Length	variable

Material

Flammability rating	Acc. to UL94V-0
Contact material	Brass with Gold plated
Insulation material	PA66
Ring nut material	Brass with Nickel plated
Sealing material	Silicone
Molding material	PVC/TPU

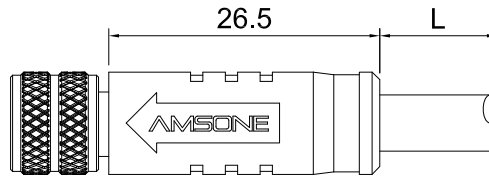
Certificates

No	Number of contacts	Cable specification and length	EMC compliance	Ordering P/N
1	3	variable	optional	AM08M0311AXXX-XXX
2	4			AM08M0411AXXX-XXX

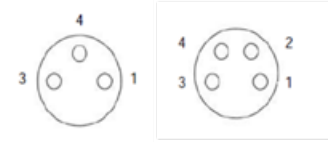
Product Description: M8 pre-molded cable connector, female, contacts: 3, 4, solder connection, straight, IP67



Illustration



Drawings



Pin assignment

Technical data

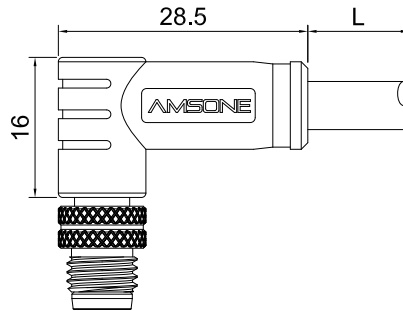
General Standard IEC61076-2-104 Locking system Fix screw locking Gender Female Series AM08 Coding A Torque 0.2N.M Category Pre-molded cable Connection type Solder connection Cable outlet variable Custom tariff number 85444290 Country of origin China		Electrical Rated current 4A Rated voltage 60V Rated Impulse voltage 500V Insulation resistance $\geq 100 \text{ M}\Omega$ EMC compliance Optional Degree of protection IP67 Mechanical operation > 100 mating cycles Operating temperature $-25^{\circ}\text{C} \sim 85^{\circ}\text{C}$	
Cable Cable type UL Style Conductor cross section 0.34mm^2 Wire gauge 22AWG Jacket PVC/TPU Temperature $-25^{\circ}\text{C} \sim 85^{\circ}\text{C}$ Other resistance UV resistant (720 h) UL 2556 Premium oil resistance (jacket) Wire colour variable Length variable		Material Flammability rating Acc. to UL94V-0 Contact material Brass with Gold plated Insulation material PA66 Ring nut material Brass with Nickel plated Sealing material Silicone Molding material PVC/TPU	
Certificates			

No	Number of contacts	Cable specification and length	EMC compliance	Ordering P/N
1	3	variable	optional	AM08F0311AXXX-XXX
2	4			AM08F0411AXXX-XXX

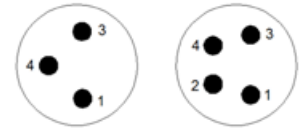
Product Description: M8 pre-molded cable connector, male, contacts: 3, 4, solder connection, right angled, IP67



Illustration



Drawings



Pin assignment

Technical data

General

Standard	IEC61076-2-104
Locking system	Fix screw locking
Gender	Male
Series	AM08
Coding	A
Torque	0.2N.M
Category	Pre-molded cable
Connection type	Solder connection
Cable outlet	variable
Custom tariff number	85444290
Country of origin	China

Electrical

Rated current	4A
Rated voltage	60V
Rated Impulse voltage	500V
Insulation resistance	≥ 100 MΩ
EMC compliance	Optional
Degree of protection	IP67
Mechanical operation	> 100 mating cycles
Operating temperature	-25°C ~ 85°C

Cable

Cable type	UL Style
Conductor cross section	0.34mm ²
Wire gauge	22AWG
Jacket	PVC/TPU
Temperature	-25°C ~ 85°C
Other resistance	UV resistant (720 h) UL 2556 Premium oil resistance (jacket)
Wire colour	variable
Length	variable

Material

Flammability rating	Acc. to UL94V-0
Contact material	Brass with Gold plated
Insulation material	PA66
Ring nut material	Brass with Nickel plated
Sealing material	Silicone
Molding material	PVC/TPU

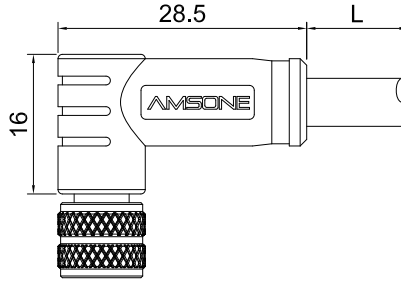
Certificates

No	Number of contacts	Cable specification and length	EMC compliance	Ordering P/N
1	3	variable	optional	AM08M0311AXXX-XXX
2	4			AM08M0411AXXX-XXX

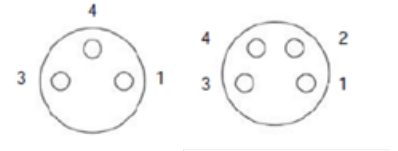
Product Description: M8 pre-molded cable connector, female, contacts: 3, 4, solder connection, right angled, IP67



Illustration



Drawings



Pin assignment

Technical data

General

Standard	IEC61076-2-104
Locking system	Fix screw locking
Gender	Female
Series	AM08
Coding	A
Torque	0.2N.M
Category	Pre-molded cable
Connection type	Solder connection
Cable outlet	variable
Custom tariff number	85444290
Country of origin	China

Electrical

Rated current	4A
Rated voltage	60V
Rated Impulse voltage	500V
Insulation resistance	≥ 100 MΩ
EMC compliance	Optional
Degree of protection	IP67
Mechanical operation	> 100 mating cycles
Operating temperature	-25°C ~ 85°C

Cable

Cable type	UL Style
Conductor cross section	0.34mm ²
Wire gauge	22AWG
Jacket	PVC/TPU
Temperature	-25°C ~ 85°C
Other resistance	UV resistant (720 h) UL 2556 Premium oil resistance (jacket)
Wire colour	variable
Length	variable

Material

Flammability rating	Acc. to UL94V-0
Contact material	Brass with Gold plated
Insulation material	PA66
Ring nut material	Brass with Nickel plated
Sealing material	Silicone
Molding material	PVC/TPU

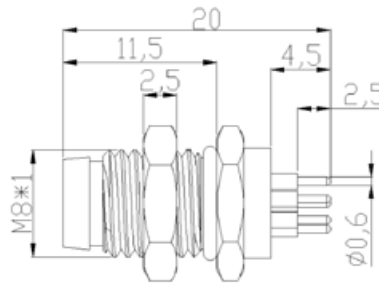
Certificates

No	Number of contacts	Cable specification and length	EMC compliance	Ordering P/N
1	3	variable	optional	AM08F0311AXXX-XXX
2	4			AM08F0411AXXX-XXX

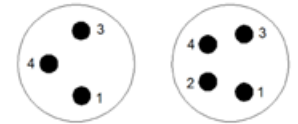
Product Description: M8 panel receptacle, rear mount, male, contacts: 3, 4, PCB dip-solder connection, straight, IP67



Illustration



Drawings



Pin assignment

Technical data

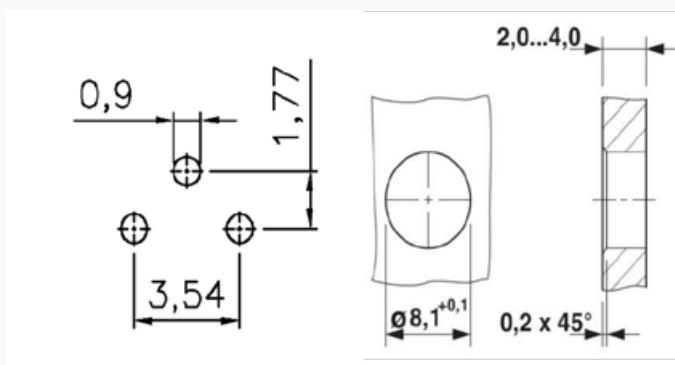
General

Standard	IEC61076-2-104
Locking system	Fix screw locking
Gender	Male
Series	AM08
Coding	A
Torque	1.0N.M
Category	Device connector, rear mount
Connection type	PCB dip-solder connection
Custom tariff number	85444290
Country of origin	China

Electrical

Rated current	4A
Rated voltage	60V
Rated Impulse voltage	500V
Insulation resistance	≥ 100 MΩ
EMC compliance	Shieldable
Degree of protection	IP67
Mechanical operation	> 100 mating cycles
Operating temperature	-25°C ~ 85°C

Panel cut-out



Material

Flammability rating	Acc. to UL94V-0
Contact material	Brass with Gold plated
Insulation material	PA66
Jam nut material	Brass with Nickel plated
Sealing material	Silicone
Shell material	Brass with Nickel plated

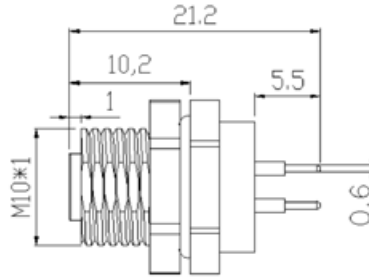
Certificates

No	Number of contacts	Fastening thread	Ordering P/N
1	3	M8*1.0	AM08M0322A001
2	4		AM08M0422A001

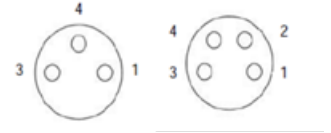
Product Description: M8 panel receptacle, rear mount, female, contacts:3, 4, PCB dip-solder connection, straight, IP67



Illustration



Drawings



Pin assignment

Technical data

General		Electrical	
Standard	IEC61076-2-104	Rated current	4A
Locking system	Fix screw locking	Rated voltage	60V
Gender	Female	Rated Impulse voltage	500V
Series	AM08	Insulation resistance	≥ 100 MΩ
Coding	A	EMC compliance	Shieldable
Torque	1.0N.M	Degree of protection	IP67
Category	Device connector, rear mount	Mechanical operation	> 100 mating cycles
Connection type	PCB dip-solder connection	Operating temperature	-25°C ~ 85°C
Custom tariff number	85444290		
Country of origin	China		

Panel cut-out

Material	
Flammability rating	Acc. to UL94V-0
Contact material	Brass with Gold plated
Insulation material	PA66
Jam nut material	Brass with Nickel plated
Sealing material	Silicone
Shell material	Brass with Nickel plated

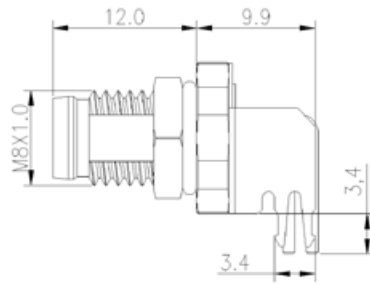
Certificates

No	Number of contacts	Fastening thread	Ordering P/N
1	3	M8*1.0	AM08F0322A001
2	4		AM08F0422A001

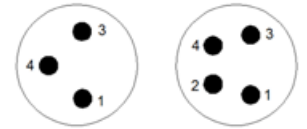
Product Description: M8 panel receptacle, rear mount, male, contacts: 3, 4, PCB dip-solder connection, right angled, shielded, IP67



Illustration



Drawings

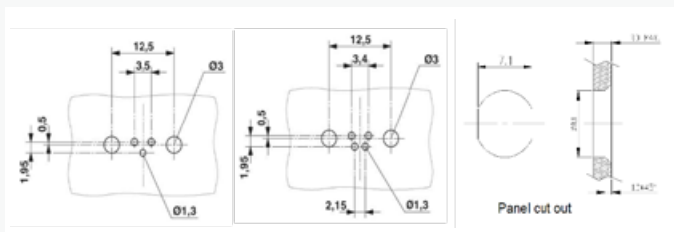


Pin assignment

Technical data

General		Electrical	
Standard	IEC61076-2-104	Rated current	4A
Locking system	Fix screw locking	Rated voltage	60V
Gender	Male	Rated Impulse voltage	500V
Series	AM08	Insulation resistance	≥ 100 MΩ
Coding	A	EMC compliance	Shielded
Torque	1.0N.M	Degree of protection	IP67
Category	Device connector, rear mount	Mechanical operation	> 100 mating cycles
Connection type	PCB dip-solder connection	Operating temperature	-25°C ~ 85°C
Custom tariff number	85444290		
Country of origin	China		

Panel cut-out



Material	
Flammability rating	Acc. to UL94V-0
Contact material	Brass with Gold plated
Insulation material	PA66
Jam nut material	Brass with Nickel plated
Sealing material	Silicone
Shell material	Brass with Nickel plated

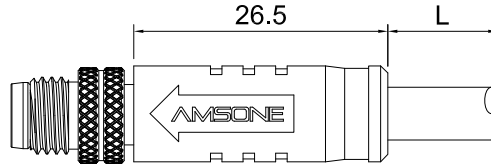
Certificates

No	Number of contacts	Fastening thread	Ordering P/N
1	3	M8*1.0	AM08M0322A003
2	4		AM08M0422A003

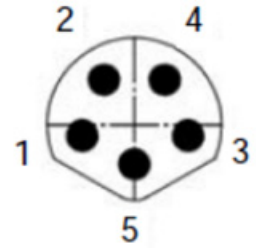
Product Description: M8 pre-molded cable connector, male, contacts: 5, solder connection, B code, straight, IP67



Illustration



Drawings



Pin assignment

Technical data

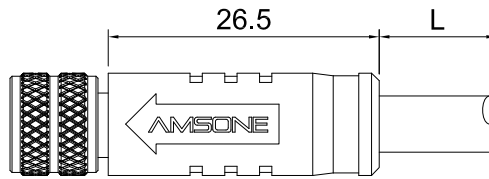
General Standard IEC61076-2-104 Locking system Fix screw locking Gender Male Series AM08 Coding B Torque 0.2N.M Category Pre-molded cable Connection type Solder connection Cable outlet variable Custom tariff number 85444290 Country of origin China		Electrical Rated current 3A Rated voltage 30V Rated Impulse voltage 500V Insulation resistance $\geq 100 \text{ M}\Omega$ EMC compliance Optional Degree of protection IP67 Mechanical operation > 100 mating cycles Operating temperature $-25^\circ\text{C} \sim 85^\circ\text{C}$	
Cable Cable type UL Style Conductor cross section 0.25mm^2 Wire gauge 24AWG Jacket PVC/TPU Temperature $-25^\circ\text{C} \sim 85^\circ\text{C}$ Other resistance UV resistant (720 h) UL 2556 Premium oil resistance (jacket) Wire colour variable Length variable		Material Flammability rating Acc. to UL94V-0 Contact material Brass with Gold plated Insulation material PA66 Ring nut material Brass with Nickel plated Sealing material Silicone Molding material PVC/TPU Certificates	

No	Number of contacts	Cable specification and length	EMC compliance	Ordering P/N
1	5	variable	optional	AM08M0511BXXX-XXX

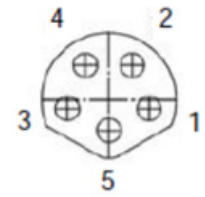
Product Description: M8 pre-molded cable connector, female, contacts: 5, solder connection, B code, straight, IP67



Illustration



Drawings



Pin assignment

Technical data

General

Standard	IEC61076-2-104
Locking system	Fix screw locking
Gender	Female
Series	AM08
Coding	B
Torque	0.2N.M
Category	Pre-molded cable
Connection type	Solder connection
Cable outlet	variable
Custom tariff number	85444290
Country of origin	China

Electrical

Rated current	3A
Rated voltage	30V
Rated Impulse voltage	500V
Insulation resistance	≥ 100 MΩ
EMC compliance	Optional
Degree of protection	IP67
Mechanical operation	> 100 mating cycles
Operating temperature	-25°C ~ 85°C

Cable

Cable type	UL Style
Conductor cross section	0.25mm ²
Wire gauge	24AWG
Jacket	PVC/TPU
Temperature	-25°C ~ 85°C
Other resistance	UV resistant (720 h) UL 2556 Premium oil resistance (jacket)
Wire colour	variable
Length	variable

Material

Flammability rating	Acc. to UL94V-0
Contact material	Brass with Gold plated
Insulation material	PA66
Ring nut material	Brass with Nickel plated
Sealing material	Silicone
Molding material	PVC/TPU

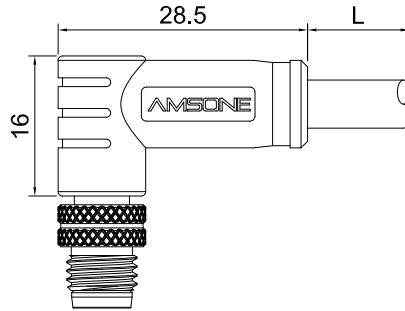
Certificates

No	Number of contacts	Cable specification and length	EMC compliance	Ordering P/N
1	5	variable	optional	AM08F0511BXXX-XXX

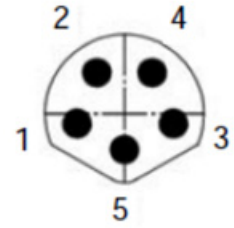
Product Description: M8 pre-molded cable connector, male, contacts: 5, solder connection, B code, right angled, IP67



Illustration



Drawings



Pin assignment

Technical data

General

Standard	IEC61076-2-104
Locking system	Fix screw locking
Gender	Male
Series	AM08
Coding	B
Torque	0.2N.M
Category	Pre-molded cable
Connection type	Solder connection
Cable outlet	variable
Custom tariff number	85444290
Country of origin	China

Electrical

Rated current	3A
Rated voltage	30V
Rated Impulse voltage	500V
Insulation resistance	≥ 100 MΩ
EMC compliance	Optional
Degree of protection	IP67
Mechanical operation	> 100 mating cycles
Operating temperature	-25°C ~ 85°C

Cable

Cable type	UL Style
Conductor cross section	0.25mm ²
Wire gauge	24AWG
Jacket	PVC/TPU
Temperature	-25° C ~ 85° C
Other resistance	UV resistant (720 h) UL 2556 Premium oil resistance (jacket)
Wire colour	variable
Length	variable

Material

Flammability rating	Acc. to UL94V-0
Contact material	Brass with Gold plated
Insulation material	PA66
Ring nut material	Brass with Nickel plated
Sealing material	Silicone
Molding material	PVC/TPU

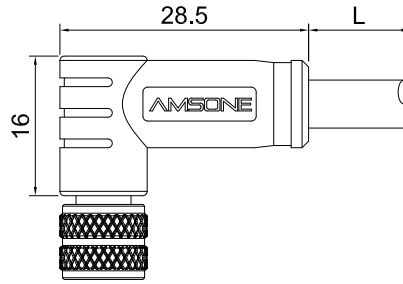
Certificates

No	Number of contacts	Cable specification and length	EMC compliance	Ordering P/N
1	5	variable	optional	AM08M0511BXXX-XXX

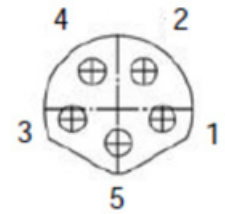
Product Description: M8 pre-molded cable connector, female, contacts: 5, solder connection, B code, right angled, IP67



Illustration



Drawings



Pin assignment

Technical data

General

Standard	IEC61076-2-104
Locking system	Fix screw locking
Gender	Female
Series	AM08
Coding	B
Torque	0.2N.M
Category	Pre-molded cable
Connection type	Solder connection
Cable outlet	variable
Custom tariff number	85444290
Country of origin	China

Electrical

Rated current	3A
Rated voltage	30V
Rated Impulse voltage	500V
Insulation resistance	≥ 100 MΩ
EMC compliance	Optional
Degree of protection	IP67
Mechanical operation	> 100 mating cycles
Operating temperature	-25°C ~ 85°C

Cable

Cable type	UL Style
Conductor cross section	0.25mm ²
Wire gauge	24AWG
Jacket	PVC/TPU
Temperature	-25°C ~ 85°C
Other resistance	UV resistant (720 h) UL 2556 Premium oil resistance (jacket)
Wire colour	variable
Length	variable

Material

Flammability rating	Acc. to UL94V-0
Contact material	Brass with Gold plated
Insulation material	PA66
Ring nut material	Brass with Nickel plated
Sealing material	Silicone
Molding material	PVC/TPU

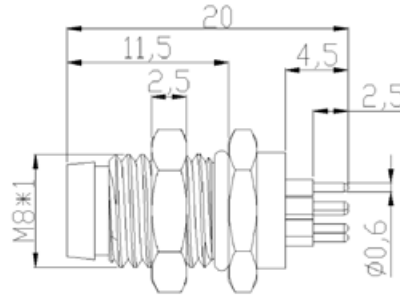
Certificates

No	Number of contacts	Cable specification and length	EMC compliance	Ordering P/N
1	5	variable	optional	AM08F0511BXXX-XXX

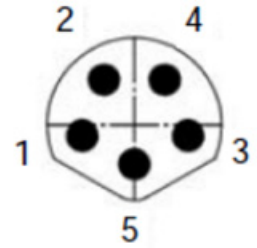
Product Description: M8 panel receptacle, rear mount, male, contacts: 5, PCB dip-solder connection, B code, straight, IP67



Illustration



Drawings



Pin assignment

Technical data

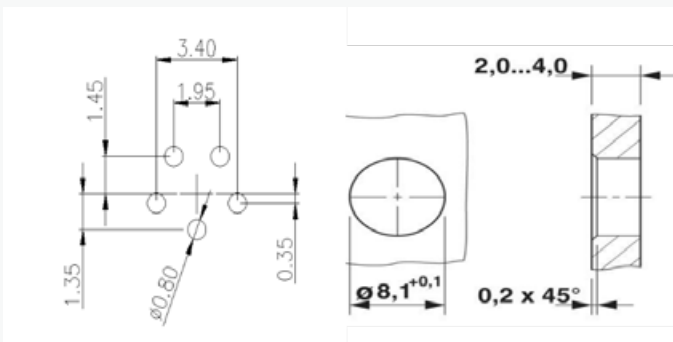
General

Standard	IEC61076-2-104
Locking system	Fix screw locking
Gender	Male
Series	AM08
Coding	B
Torque	1.0N.M
Category	Device connector, rear mount
Connection type	PCB dip-solder connection
Custom tariff number	85444290
Country of origin	China

Electrical

Rated current	3A
Rated voltage	30V
Rated Impulse voltage	500V
Insulation resistance	$\geq 100 \text{ M}\Omega$
EMC compliance	Shieldable
Degree of protection	IP67
Mechanical operation	> 100 mating cycles
Operating temperature	-25°C ~ 85°C

Panel cut-out



Material

Flammability rating	Acc. to UL94V-0
Contact material	Brass with Gold plated
Insulation material	PA66
Jam nut material	Brass with Nickel plated
Sealing material	Silicone
Shell material	Brass with Nickel plated

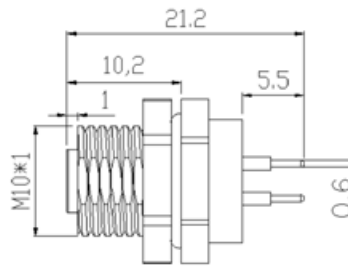
Certificates

No	Number of contacts	Fastening thread	Ordering P/N
1	5	M8*1.0	AM08M0522B001

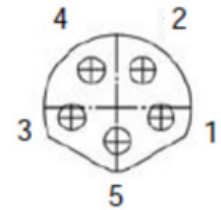
Product Description: M8 panel receptacle, rear mount, female, contacts: 5, PCB dip-solder connection, B code, straight, IP67



Illustration



Drawings



Pin assignment

Technical data

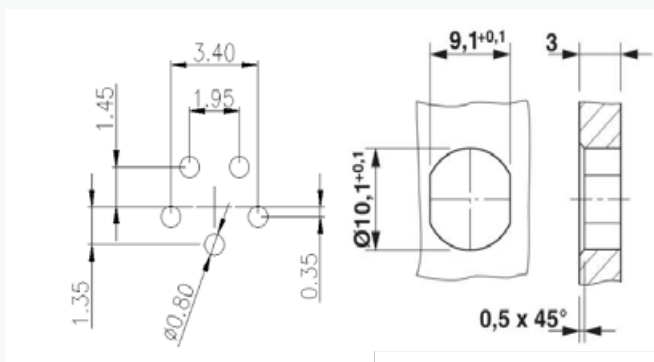
General

Standard	IEC61076-2-104
Locking system	Fix screw locking
Gender	Female
Series	AM08
Coding	B
Torque	1.0N.M
Category	Device connector, rear mount
Connection type	PCB dip-solder connection
Custom tariff number	85444290
Country of origin	China

Electrical

Rated current	3A
Rated voltage	30V
Rated Impulse voltage	500V
Insulation resistance	≥ 100 MΩ
EMC compliance	Shieldable
Degree of protection	IP67
Mechanical operation	> 100 mating cycles
Operating temperature	-25°C ~ 85°C

Panel cut-out



Material

Flammability rating	Acc. to UL94V-0
Contact material	Brass with Gold plated
Insulation material	PA66
Jam nut material	Brass with Nickel plated
Sealing material	Silicone
Shell material	Brass with Nickel plated

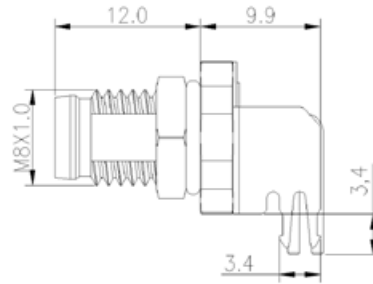
Certificates

No	Number of contacts	Fastening thread	Ordering P/N
1	5	M8*1.0	AM08F0522B001

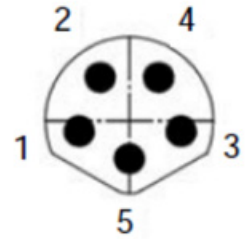
Product Description: M8 panel receptacle, rear mount, male, contacts: 5, PCB dip-solder connection, B code, right straight, IP67



Illustration



Drawings



Pin assignment

Technical data

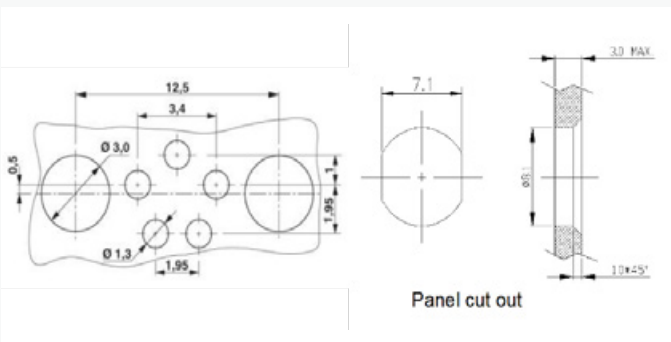
General

Standard	IEC61076-2-104
Locking system	Fix screw locking
Gender	Male
Series	AM08
Coding	B
Torque	1.0N.M
Category	Device connector, rear mount
Connection type	PCB dip-solder connection
Custom tariff number	85444290
Country of origin	China

Electrical

Rated current	3A
Rated voltage	30V
Rated Impulse voltage	500V
Insulation resistance	≥ 100 MΩ
EMC compliance	Shieldable
Degree of protection	IP67
Mechanical operation	> 100 mating cycles
Operating temperature	-25°C ~ 85°C

Panel cut-out



Material

Flammability rating	Acc. to UL94V-0
Contact material	Brass with Gold plated
Insulation material	PA66
Jam nut material	Brass with Nickel plated
Sealing material	Silicone
Shell material	Brass with Nickel plated

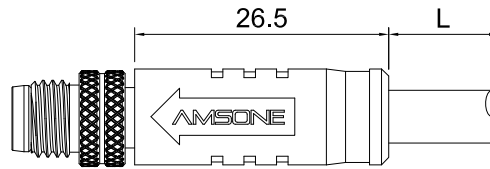
Certificates

No	Number of contacts	Fastening thread	Ordering P/N
1	5B	M8*1.0	AM08M0522B003

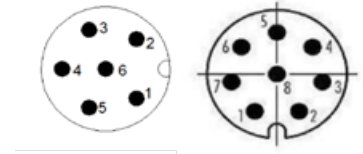
Product Description: M8 pre-molded cable connector, male, contacts: 6, 8, solder connection, straight, IP67



Illustration



Drawings



Pin assignment

Technical data

General

Standard	IEC61076-2-104
Locking system	Fix screw locking
Gender	Male
Series	AM08
Coding	A
Torque	0.2N.M
Category	Pre-molded cable
Connection type	Solder connection
Cable outlet	variable
Custom tariff number	85444290
Country of origin	China

Electrical

Rated current	2A
Rated voltage	30V
Rated Impulse voltage	500V
Insulation resistance	≥ 100 MΩ
EMC compliance	Optional
Degree of protection	IP67
Mechanical operation	> 100 mating cycles
Operating temperature	-25°C ~ 85°C

Cable

Cable type	UL Style
Conductor cross section	0.25mm ²
Wire gauge	24AWG
Jacket	PVC/TPU
Temperature	-25° C ~ 85° C
Other resistance	UV resistant (720 h) UL 2556 Premium oil resistance (jacket)
Wire colour	variable
Length	variable

Material

Flammability rating	Acc. to UL94V-0
Contact material	Brass with Gold plated
Insulation material	PA66
Ring nut material	Brass with Nickel plated
Sealing material	Silicone
Molding material	PVC/TPU

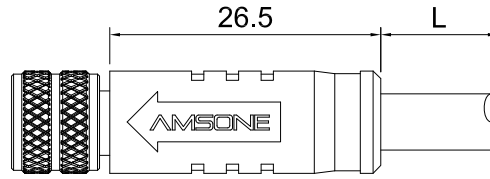
Certificates

No	Number of contacts	Cable specification and length	EMC compliance	Ordering P/N
1	6	variable	optional	AM08M0611AXXX-XXX
2	8			AM08M0811AXXX-XXX

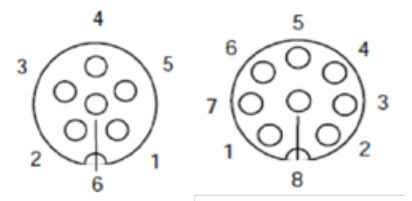
Product Description: M8 pre-molded cable connector, female, contacts: 6, 8, solder connection, straight, IP67



Illustration



Drawings



Pin assignment

Technical data

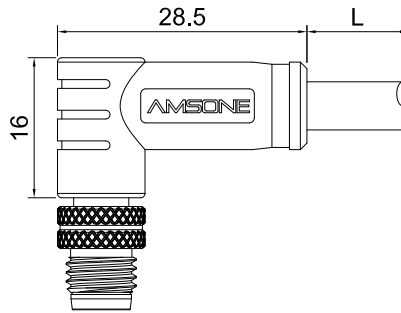
General Standard IEC61076-2-104 Locking system Fix screw locking Gender Female Series AM08 Coding A Torque 0.2N.M Category Pre-molded cable Connection type Solder connection Cable outlet variable Custom tariff number 85444290 Country of origin China		Electrical Rated current 2A Rated voltage 30V Rated Impulse voltage 500V Insulation resistance $\geq 100 M\Omega$ EMC compliance Optional Degree of protection IP67 Mechanical operation > 100 mating cycles Operating temperature $-25^{\circ}C \sim 85^{\circ}C$	
Cable Cable type UL Style Conductor cross section $0.25mm^2$ Wire gauge 24AWG Jacket PVC/TPU Temperature $-25^{\circ}C \sim 85^{\circ}C$ Other resistance UV resistant (720 h) UL 2556 Premium oil resistance (jacket) Wire colour variable Length variable		Material Flammability rating Acc. to UL94V-0 Contact material Brass with Gold plated Insulation material PA66 Ring nut material Brass with Nickel plated Sealing material Silicone Molding material PVC/TPU Certificates	

No	Number of contacts	Cable specification and length	EMC compliance	Ordering P/N
1	6	variable	optional	AM08F0611AXXX-XXX
2	8			AM08F0811AXXX-XXX

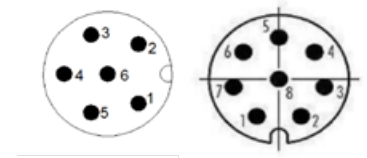
Product Description: M8 pre-molded cable connector, male, contacts: 6, 8, solder connection, right angled, IP67



Illustration



Drawings



Pin assignment

Technical data

General

Standard	IEC61076-2-104
Locking system	Fix screw locking
Gender	Male
Series	AM08
Coding	A
Torque	0.2N.M
Category	Pre-molded cable
Connection type	Solder connection
Cable outlet	variable
Custom tariff number	85444290
Country of origin	China

Electrical

Rated current	2A
Rated voltage	30V
Rated Impulse voltage	500V
Insulation resistance	≥ 100 MΩ
EMC compliance	Optional
Degree of protection	IP67
Mechanical operation	> 100 mating cycles
Operating temperature	-25°C ~ 85°C

Cable

Cable type	UL Style
Conductor cross section	0.25mm ²
Wire gauge	24AWG
Jacket	PVC/TPU
Temperature	-25°C ~ 85°C
Other resistance	UV resistant (720 h) UL 2556 Premium oil resistance (jacket)
Wire colour	variable
Length	variable

Material

Flammability rating	Acc. to UL94V-0
Contact material	Brass with Gold plated
Insulation material	PA66
Ring nut material	Brass with Nickel plated
Sealing material	Silicone
Molding material	PVC/TPU

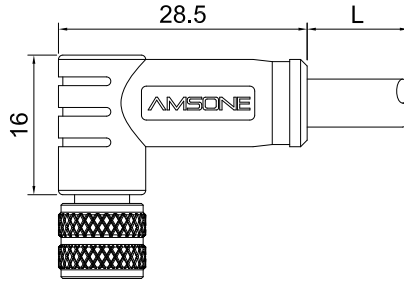
Certificates

No	Number of contacts	Cable specification and length	EMC compliance	Ordering P/N
1	6	variable	optional	AM08M0611AXXX-XXX
2	8			AM08M0811AXXX-XXX

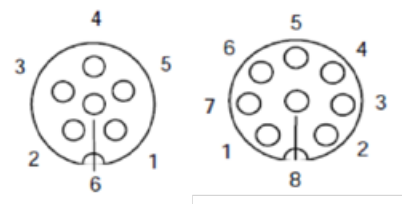
Product Description: M8 pre-molded cable connector, female, contacts: 6, 8, solder connection, right angled, IP67



Illustration



Drawings



Pin assignment

Technical data

General

Standard	IEC61076-2-104
Locking system	Fix screw locking
Gender	Female
Series	AM08
Coding	A
Torque	0.2N.M
Category	Pre-molded cable
Connection type	Solder connection
Cable outlet	variable
Custom tariff number	85444290
Country of origin	China

Electrical

Rated current	2A
Rated voltage	30V
Rated Impulse voltage	500V
Insulation resistance	≥ 100 MΩ
EMC compliance	Optional
Degree of protection	IP67
Mechanical operation	> 100 mating cycles
Operating temperature	-25°C ~ 85°C

Cable

Cable type	UL Style
Conductor cross section	0.25mm ²
Wire gauge	24AWG
Jacket	PVC/TPU
Temperature	-25°C ~ 85°C
Other resistance	UV resistant (720 h) UL 2556 Premium oil resistance (jacket)
Wire colour	variable
Length	variable

Material

Flammability rating	Acc. to UL94V-0
Contact material	Brass with Gold plated
Insulation material	PA66
Ring nut material	Brass with Nickel plated
Sealing material	Silicone
Molding material	PVC/TPU

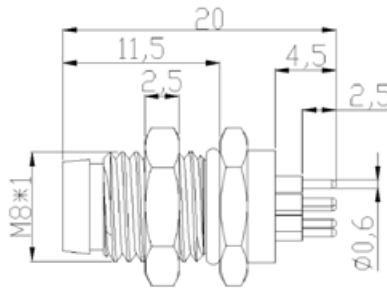
Certificates

No	Number of contacts	Cable specification and length	EMC compliance	Ordering P/N
1	6	variable	optional	AM08F0611AXXX-XXX
2	8			AM08F0811AXXX-XXX

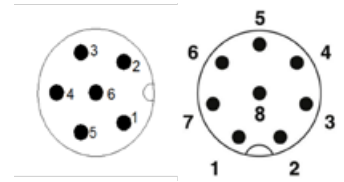
Product Description: M8 panel receptacle, rear mount, male, contacts: 6, 8, PCB dip-solder connection, straight, IP67



Illustration



Drawings



Pin assignment

Technical data

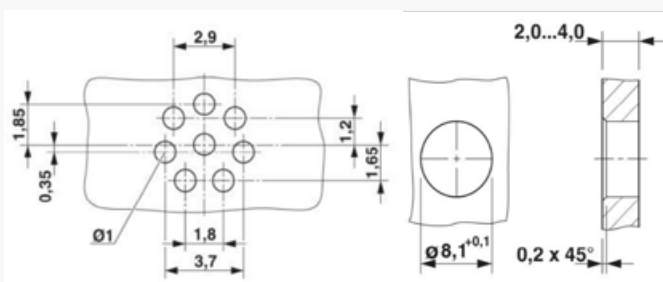
General

Standard	IEC61076-2-104
Locking system	Fix screw locking
Gender	Male
Series	AM08
Coding	A
Torque	1.0N.M
Category	Device connector, rear mount
Connection type	PCB dip-solder connection
Custom tariff number	85444290
Country of origin	China

Electrical

Rated current	2A
Rated voltage	30V
Rated Impulse voltage	500V
Insulation resistance	≥ 100 MΩ
EMC compliance	Shieldable
Degree of protection	IP67
Mechanical operation	> 100 mating cycles
Operating temperature	-25°C ~ 85°C

Panel cut-out



Material

Flammability rating	Acc. to UL94V-0
Contact material	Brass with Gold plated
Insulation material	PA66
Jam nut material	Brass with Nickel plated
Sealing material	Silicone
Shell material	Brass with Nickel plated

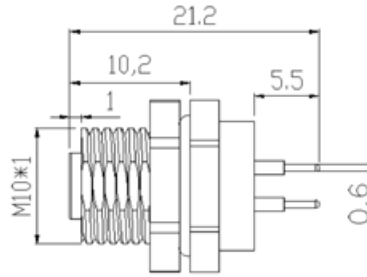
Certificates

No	Number of contacts	Fastening thread	Ordering P/N
1	6	M8*1.0	AM08M0622A001
2	8		AM08M0822A001

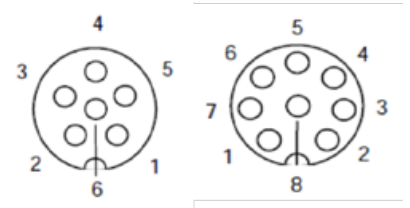
Product Description: M8 panel receptacle, rear mount, female, contacts: 6, 8, PCB dip-solder connection, straight, IP67



Illustration



Drawings



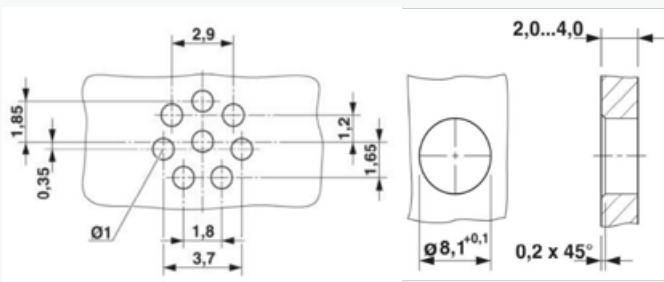
Pin assignment

Technical data

General	
Standard	IEC61076-2-104
Locking system	Fix screw locking
Gender	Female
Series	AM08
Coding	A
Torque	1.0N.M
Category	Device connector, rear mount
Connection type	PCB dip-solder connection
Custom tariff number	85444290
Country of origin	China

Electrical	
Rated current	2A
Rated voltage	30V
Rated Impulse voltage	500V
Insulation resistance	≥ 100 MΩ
EMC compliance	Shieldable
Degree of protection	IP67
Mechanical operation	> 100 mating cycles
Operating temperature	-25°C ~ 85°C

Panel cut-out



Material	
Flammability rating	Acc. to UL94V-0
Contact material	Brass with Gold plated
Insulation material	PA66
Jam nut material	Brass with Nickel plated
Sealing material	Silicone
Shell material	Brass with Nickel plated

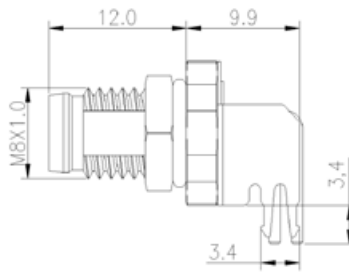
Certificates

No	Number of contacts	Fastening thread	Ordering P/N
1	6	M8*1.0	AM08F0622A001
2	8		AM08F0822A001

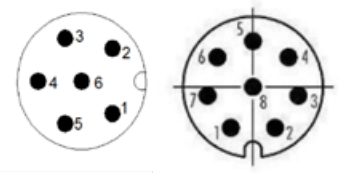
Product Description: M8 panel receptacle, rear mount, male, contacts: 6, 8, PCB dip-solder connection, right angled, shielded, IP67



Illustration



Drawings

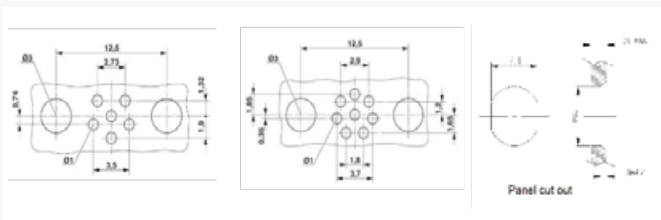


Pin assignment

Technical data

General		Electrical	
Standard	IEC61076-2-104	Rated current	2A
Locking system	Fix screw locking	Rated voltage	30V
Gender	Male	Rated Impulse voltage	500V
Series	AM08	Insulation resistance	≥ 100 MΩ
Coding	A	EMC compliance	Shielded
Torque	1.0N.M	Degree of protection	IP67
Category	Device connector, rear mount	Mechanical operation	> 100 mating cycles
Connection type	PCB dip-solder connection	Operating temperature	-25°C ~ 85°C
Custom tariff number	85444290		
Country of origin	China		

Panel cut-out



Material	
Flammability rating	Acc. to UL94V-0
Contact material	Brass with Gold plated
Insulation material	PA66
Jam nut material	Brass with Nickel plated
Sealing material	Silicone
Shell material	Brass with Nickel plated

Certificates

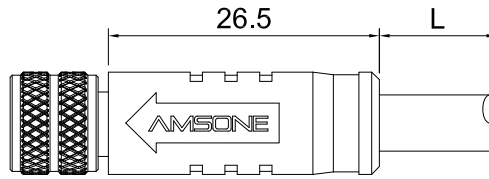
No	Number of contacts	Fastening thread	Ordering P/N
1	6	M8*1.0	AM08M0622A003
2	8		AM08M0822A003



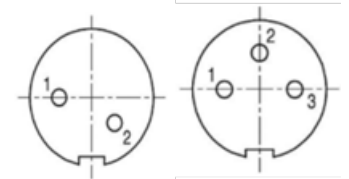
Product Description: M9 pre-molded cable connector, female, contacts: 2, 3, solder connection, straight, IP67



Illustration



Drawings



Pin assignment

Technical data

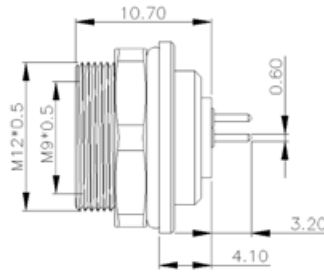
General Standard / Locking system Fix screw locking Gender Female Series AM09 Coding A Torque 0.3N.M Category Pre-molded cable Connection type Solder connection Cable outlet variable Custom tariff number 85444290 Country of origin China		Electrical Rated current 4A Rated voltage 125V Rated Impulse voltage 1500V Insulation resistance $\geq 100 \text{ M}\Omega$ EMC compliance Optional Degree of protection IP67 Mechanical operation > 100 mating cycles Operating temperature $-25^{\circ}\text{C} \sim 85^{\circ}\text{C}$	
Cable Cable type UL Style Conductor cross section 0.25mm^2 Wire gauge 24AWG Jacket PVC/TPU Temperature $-25^{\circ}\text{C} \sim 85^{\circ}\text{C}$ Other resistance UV resistant (720 h) UL 2556 Premium oil resistance (jacket) Wire colour variable Length variable		Material Flammability rating Acc. to UL94V-0 Contact material Brass with Gold plated Insulation material PA66 Ring nut material Brass with Nickel plated Sealing material Silicone Molding material PVC/TPU Certificates	

No	Number of contacts	Cable specification and length	Ordering P/N
1	2	variable	AM09F0211A001
2	3		AM09F0311A001

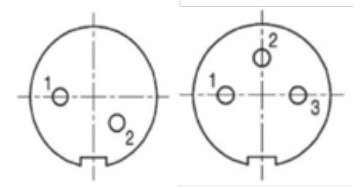
Product Description: M9 panel receptacle, rear mount, female, contacts: 2, 3, PCB dip-solder connection, straight, IP67



Illustration



Drawings



Pin assignment

Technical data

General		Electrical	
Standard	/	Rated current	4A
Locking system	Fix screw locking	Rated voltage	125V
Gender	Female	Rated Impulse voltage	1500V
Series	AM09	Insulation resistance	≥ 100 MΩ
Coding	A	EMC compliance	/
Torque	1.5N.M	Degree of protection	IP67
Category	Device connector, rear mount	Mechanical operation	> 100 mating cycles
Connection type	PCB dip-solder connection	Operating temperature	-25°C ~ 85°C
Custom tariff number	85444290		
Country of origin	China		

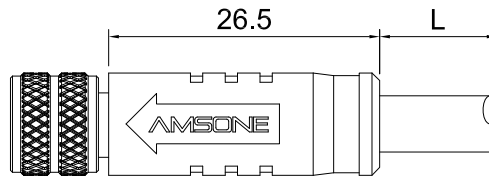
Panel cut-out	Material	
	Flammability rating	Acc. to UL94V-0
	Contact material	Brass with Gold plated
	Insulation material	PA66
	Jam nut material	Brass with Nickel plated
	Sealing material	Silicone
	Shell material	Brass with Nickel plated
Certificates		

No	Number of contacts	Fastening thread	Ordering P/N
1	2	M9*0.5	AM09F0222A001
2	3		AM09F0322A001

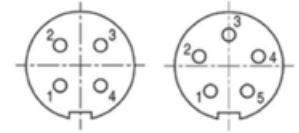
Product Description: M9 pre-molded cable connector, female, contacts: 4, 5, solder connection, straight, IP67



Illustration



Drawings



Pin assignment

Technical data

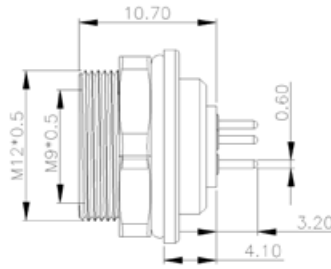
General Standard / Locking system Fix screw locking Gender Female Series AM09 Coding A Torque 0.3N.M Category Pre-molded cable Connection type Solder connection Cable outlet variable Custom tariff number 85444290 Country of origin China		Electrical Rated current 3A Rated voltage 125V Rated Impulse voltage 1500V Insulation resistance $\geq 100 \text{ M}\Omega$ EMC compliance Optional Degree of protection IP67 Mechanical operation > 100 mating cycles Operating temperature $-25^{\circ}\text{C} \sim 85^{\circ}\text{C}$	
Cable Cable type UL Style Conductor cross section 0.25mm^2 Wire gauge 24AWG Jacket PVC/TPU Temperature $-25^{\circ}\text{C} \sim 85^{\circ}\text{C}$ Other resistance UV resistant (720 h) UL 2556 Premium oil resistance (jacket) Wire colour variable Length variable		Material Flammability rating Acc. to UL94V-0 Contact material Brass with Gold plated Insulation material PA66 Ring nut material Brass with Nickel plated Sealing material Silicone Molding material PVC/TPU Certificates	

No	Number of contacts	Cable specification and length	Ordering P/N
1	4	variable	AM09F0411A001
2	5		AM09F0511A001

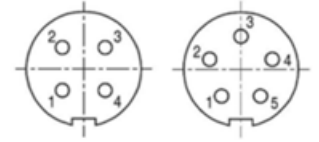
Product Description: M9 panel receptacle, rear mount, female, contacts: 4, 5, PCB dip-solder connection, straight, IP67



Illustration



Drawings

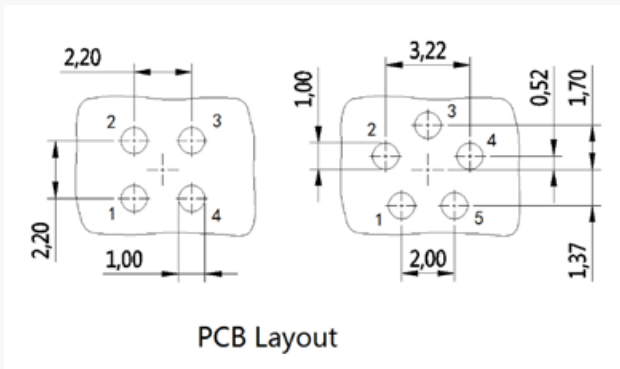


Pin assignment

Technical data

General		Electrical	
Standard	/	Rated current	3A
Locking system	Fix screw locking	Rated voltage	125V
Gender	Female	Rated Impulse voltage	1500V
Series	AM09	Insulation resistance	≥ 100 MΩ
Coding	A	EMC compliance	/
Torque	1.5N.M	Degree of protection	IP67
Category	Device connector, rear mount	Mechanical operation	> 100 mating cycles
Connection type	PCB dip-solder connection	Operating temperature	-25°C ~ 85°C
Custom tariff number	85444290		
Country of origin	China		

Panel cut-out



Material

Contact material	Brass with Gold plated
Insulation material	PA66
Jam nut material	Brass with Nickel plated
Sealing material	Silicone
Shell material	Brass with Nickel plated

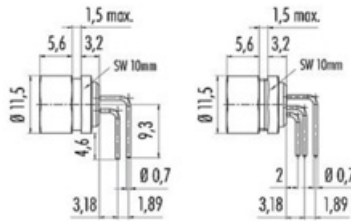
Certificates

No	Number of contacts	Fastening thread	Ordering P/N
1	4	M9*0.5	AM09F0422A001
2	5		AM09F0522A001

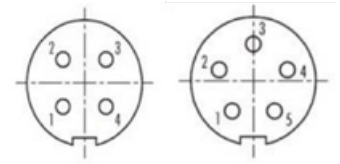
Product Description: M9 panel receptacle, rear mount, female, contacts: 4, 5, PCB dip-solder connection, right angled, IP67



Illustration



Drawings

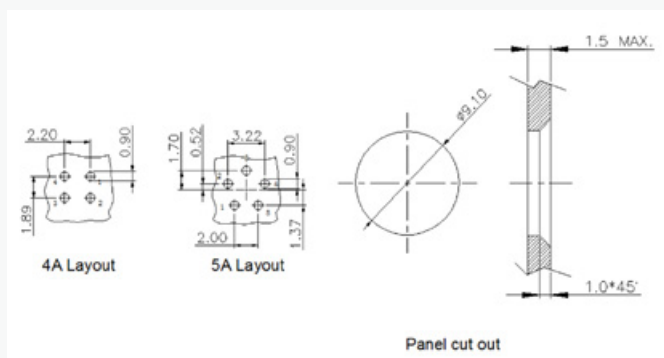


Pin assignment

Technical data

General		Electrical	
Standard	/	Rated current	3A
Locking system	Fix screw locking	Rated voltage	125V
Gender	Female	Rated Impulse voltage	1500V
Series	AM09	Insulation resistance	≥ 100 MΩ
Coding	A	EMC compliance	/
Torque	1.5N.M	Degree of protection	IP67
Category	Device connector, rear mount	Mechanical operation	> 100 mating cycles
Connection type	PCB dip-solder connection	Operating temperature	-25°C ~ 85°C
Custom tariff number	85444290		
Country of origin	China		

Panel cut-out



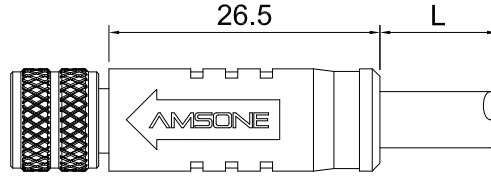
Material	
Flammability rating	Acc. to UL94V-0
Contact material	Brass with Gold plated
Insulation material	PA66
Jam nut material	Brass with Nickel plated
Sealing material	Silicone
Shell material	Brass with Nickel plated
Certificates	

No	Number of contacts	Fastening thread	Ordering P/N
1	4	M9*0.5	AM09F0422A201
2	5		AM09F0522A201

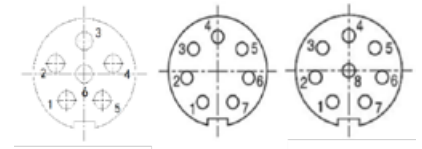
Product Description: M9 pre-molded cable connector, female, contacts: 6, 7, 8, solder connection, straight, IP67



Illustration



Drawings



Pin assignment

Technical data

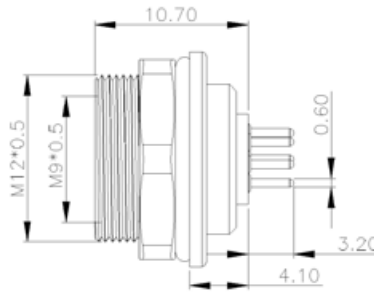
General Standard / Locking system Fix screw locking Gender Female Series AM09 Coding A Torque 0.3N.M Category Pre-molded cable Connection type Solder connection Cable outlet variable Custom tariff number 85444290 Country of origin China		Electrical Rated current 1A Rated voltage 125V Rated Impulse voltage 1000V Insulation resistance $\geq 100 \text{ M}\Omega$ EMC compliance Optional Degree of protection IP67 Mechanical operation > 100 mating cycles Operating temperature $-25^\circ\text{C} \sim 85^\circ\text{C}$	
Cable Cable type UL Style Conductor cross section 0.14mm^2 Wire gauge 26AWG Jacket PVC/TPU Temperature $-25^\circ\text{C} \sim 85^\circ\text{C}$ Other resistance UV resistant (720 h) UL 2556 Premium oil resistance (jacket) Wire colour variable Length variable		Material Flammability rating Acc. to UL94V-0 Contact material Brass with Gold plated Insulation material PA66 Ring nut material Brass with Nickel plated Sealing material Silicone Molding material PVC/TPU Certificates	

No	Number of contacts	Cable specification and length	Ordering P/N
1	6	variable	AM09F0611A001
2	7		AM09F0711A001
3	8		AM09F0811A001

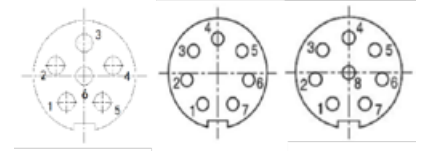
Product Description: M9 panel receptacle, rear mount, female, contacts: 6, 7, 8, PCB dip-solder connection, straight, IP67



Illustration



Drawings



Pin assignment

Technical data

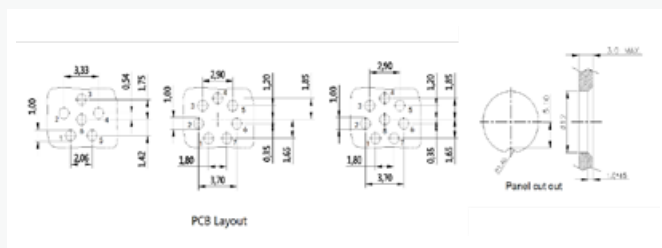
General

Standard	/
Locking system	Fix screw locking
Gender	Female
Series	AM09
Coding	A
Torque	1.5N.M
Category	Device connector, rear mount
Connection type	PCB dip-solder connection
Custom tariff number	85444290
Country of origin	China

Electrical

Rated current	1A
Rated voltage	125V
Rated Impulse voltage	1000V
Insulation resistance	≥ 100 MΩ
EMC compliance	/
Degree of protection	IP67
Mechanical operation	> 100 mating cycles
Operating temperature	-25°C ~ 85°C

Panel cut-out



Material

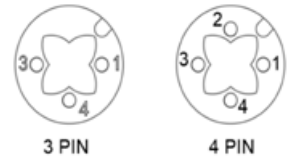
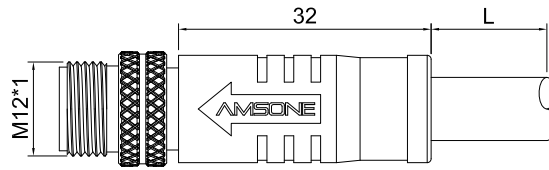
Contact material	Brass with Gold plated
Insulation material	PA66
Jam nut material	Brass with Nickel plated
Sealing material	Silicone
Shell material	Brass with Nickel plated

Certificates

No	Number of contacts	Fastening thread	Ordering P/N
1	6	M9*0.5	AM09F0622A001
2	7		AM09F0722A001
3	8		AM09F0822A001



Product Description: M12 pre-molded cable connector, male, contacts: 3,4, solder connection, A code, straight, IP67



Illustration

Drawings

Pin assignment

Technical data

General

Standard	IEC61076-2-101
Locking system	Fix screw locking
Gender	Male
Series	AM12
Coding	A
Torque	0.4N.M
Category	Pre-molded cable
Connection type	Solder connection
Cable outlet	variable
Custom tariff number	85444290
Country of origin	China

Electrical

Rated current	4A
Rated voltage	250V
Rated Impulse voltage	2500V
Insulation resistance	≥ 100 MΩ
EMC compliance	Optional
Degree of protection	IP67
Mechanical operation	> 100 mating cycles
Operating temperature	-25°C ~ 85°C

Cable

Cable type	UL Style
Conductor cross section	0.34mm ²
Wire gauge	22AWG
Jacket	PVC/TPU
Temperature	-25°C ~ 85°C
Other resistance	UV resistant (720 h) UL 2556 Premium oil resistance (jacket)
Wire colour	variable
Length	variable

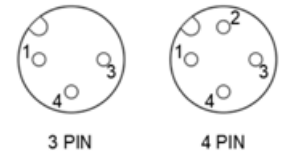
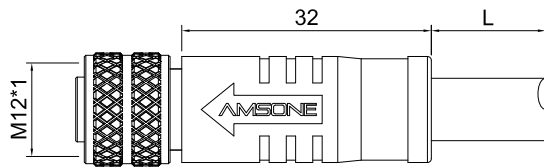
Material

Flammability rating	Acc. to UL94V-0
Contact material	Brass with Gold plated
Insulation material	PA66
Ring nut material	Brass with Nickel plated
Sealing material	Silicone
Molding material	PVC/TPU

Certificates

No	Number of contacts	Cable specification and ending	EMC compliance	Ordering P/N
1	3	variable	optional	AM12M0311AXXX-XXX
2	4			AM12M0411AXXX-XXX

Product Description: M12 pre-molded cable connector, female, contacts: 3,4, solder connection, A code, straight, IP67



Illustration

Drawings

Pin assignment

Technical data

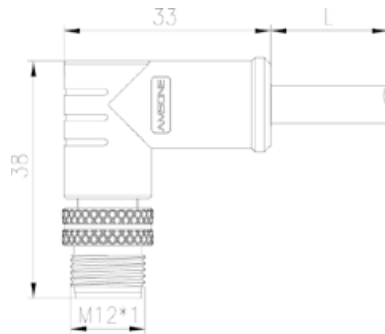
General Standard IEC61076-2-101 Locking system Fix screw locking Gender Female Series AM12 Coding A Torque 0.4N.M Category Pre-molded cable Connection type Solder connection Cable outlet variable Custom tariff number 85444290 Country of origin China		Electrical Rated current 4A Rated voltage 250V Rated Impulse voltage 2500V Insulation resistance $\geq 100 \text{ M}\Omega$ EMC compliance Optional Degree of protection IP67 Mechanical operation > 100 mating cycles Operating temperature $-25^{\circ}\text{C} \sim 85^{\circ}\text{C}$	
Cable Cable type UL Style Conductor cross section 0.34mm^2 Wire gauge 22AWG Jacket PVC/TPU Temperature $-25^{\circ}\text{C} \sim 85^{\circ}\text{C}$ Other resistance UV resistant (720 h) UL 2556 Premium oil resistance (jacket) Wire colour variable Length variable		Material Flammability rating Acc. to UL94V-0 Contact material Brass with Gold plated Insulation material PA66 Ring nut material Brass with Nickel plated Sealing material Silicone Molding material PVC/TPU Certificates	

No	Number of contacts	Cable specification and ending	EMC compliance	Ordering P/N
1	3	variable	optional	AM12F0311AXXX-XXX
2	4			AM12F0411AXXX-XXX

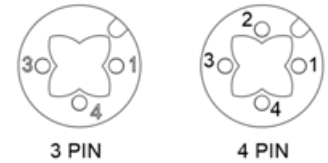
Product Description: M12 pre-molded cable connector, male, contacts: 3,4, solder connection, A code, right angled, IP67



Illustration



Drawings



Pin assignment

Technical data

General

Standard	IEC61076-2-101
Locking system	Fix screw locking
Gender	Male
Series	AM12
Coding	A
Torque	0.4N.M
Category	Pre-molded cable
Connection type	Solder connection
Cable outlet	variable
Custom tariff number	85444290
Country of origin	China

Electrical

Rated current	4A
Rated voltage	250V
Rated Impulse voltage	2500V
Insulation resistance	≥ 100 MΩ
EMC compliance	Optional
Degree of protection	IP67
Mechanical operation	> 100 mating cycles
Operating temperature	-25°C ~ 85°C

Cable

Cable type	UL Style
Conductor cross section	0.34mm ²
Wire gauge	22AWG
Jacket	PVC/TPU
Temperature	-25°C ~85°C
Other resistance	UV resistant (720 h) UL 2556 Premium oil resistance (jacket)
Wire colour	variable
Length	variable

Material

Flammability rating	Acc. to UL94V-0
Contact material	Brass with Gold plated
Insulation material	PA66
Ring nut material	Brass with Nickel plated
Sealing material	Silicone
Molding material	PVC/TPU

Certificates

No	Number of contacts	Cable specification and ending	EMC compliance	Ordering P/N
1	3	variable	optional	AM12M0311AXXX-XXX
2	4			AM12M0411AXXX-XXX

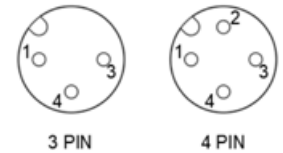
Product Description: M12 pre-molded cable connector, female, contacts: 3,4, solder connection, A code, right angled, IP67



Illustration



Drawings



Pin assignment

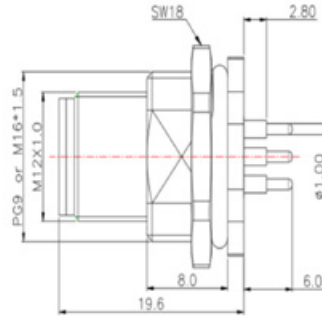
Technical data

General Standard IEC61076-2-101 Locking system Fix screw locking Gender Female Series AM12 Coding A Torque 0.4N.M Category Pre-molded cable Connection type Solder connection Cable outlet variable Custom tariff number 85444290 Country of origin China		Electrical Rated current 4A Rated voltage 250V Rated Impulse voltage 2500V Insulation resistance $\geq 100 M\Omega$ EMC compliance Optional Degree of protection IP67 Mechanical operation > 100 mating cycles Operating temperature $-25^{\circ}C \sim 85^{\circ}C$		
Cable Cable type UL Style Conductor cross section $0.34mm^2$ Wire gauge 22AWG Jacket PVC/TPU Temperature $-25^{\circ}C \sim 85^{\circ}C$ Other resistance UV resistant (720 h) UL 2556 Premium oil resistance (jacket) Wire colour variable Length variable		Material Flammability rating Acc. to UL94V-0 Contact material Brass with Gold plated Insulation material PA66 Ring nut material Brass with Nickel plated Sealing material Silicone Molding material PVC/TPU Certificates		
No	Number of contacts	Cable specification and ending	EMC compliance	Ordering P/N
1	3	variable	optional	AM12F0311AXXX-XXX
2	4			AM12F0411AXXX-XXX

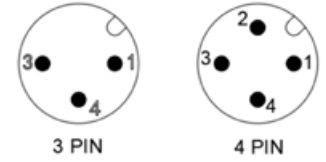
Product Description: M12 panel receptacle, rear mount, male, contacts: 3,4, PCB dip-solder connection, A code, straight, IP67



Illustration



Drawings



Pin assignment

Technical data

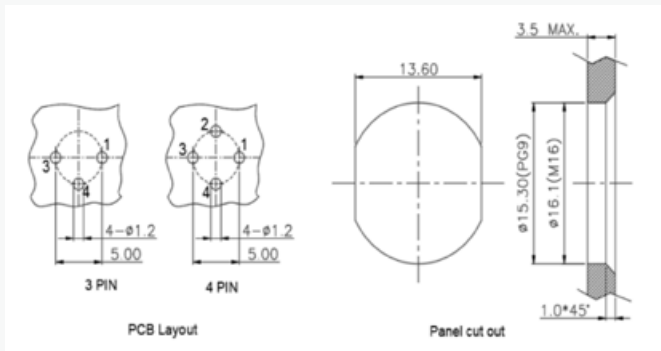
General

Standard	IEC61076-2-101
Locking system	Fix screw locking
Gender	Male
Series	AM12
Coding	A
Torque	2.0N.M
Category	Device connector, rear mount
Connection type	PCB dip-solder connection
Custom tariff number	85444290
Country of origin	China

Electrical

Rated current	4A
Rated voltage	250V
Rated Impulse voltage	2500V
Insulation resistance	≥ 100 MΩ
EMC compliance	/
Degree of protection	IP67
Mechanical operation	> 100 mating cycles
Operating temperature	-25°C ~ 85°C

Panel cut-out



Material

Flammability rating	Acc. to UL94V-0
Contact material	Brass with Gold plated
Insulation material	PA66
Jam nut material	Brass with Nickel plated
Sealing material	Silicone
Shell material	Brass with Nickel plated

Certificates

No Number of contacts

Fastening thread

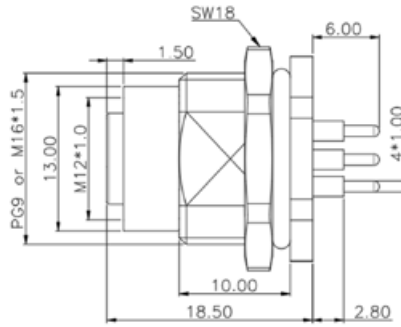
Ordering P/N

1	3	PG9	AM12M0322A001
2	4		AM12M0422A001
3	3	M16*1.5	AM12M0322A002
4	4		AM12M0422A002

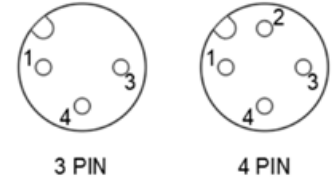
Product Description: M12 panel receptacle, rear mount, female, contacts: 3,4, PCB dip-solder connection, A code, straight, IP67



Illustration



Drawings

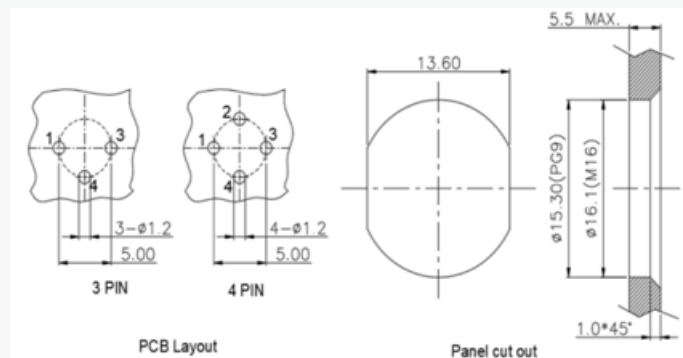


Pin assignment

Technical data

General		Electrical	
Standard	IEC61076-2-101	Rated current	4A
Locking system	Fix screw locking	Rated voltage	250V
Gender	Female	Rated Impulse voltage	2500V
Series	AM12	Insulation resistance	≥ 100 MΩ
Coding	A	EMC compliance	/
Torque	2.0N.M	Degree of protection	IP67
Category	Device connector, rear mount	Mechanical operation	> 100 mating cycles
Connection type	PCB dip-solder connection	Operating temperature	-25°C ~ 85°C
Custom tariff number	85444290		
Country of origin	China		

Panel cut-out



Material

Flammability rating	Acc. to UL94V-0
Contact material	Brass with Gold plated
Insulation material	PA66
Jam nut material	Brass with Nickel plated
Sealing material	Silicone
Shell material	Brass with Nickel plated

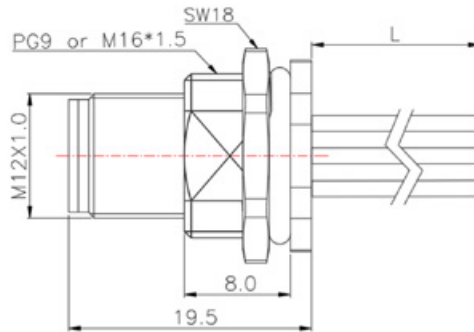
Certificates

No	Number of contacts	Fastening thread	Ordering P/N
1	3	PG 9	AM12F0322A001
2	4		AM12F0422A001
3	3	M16*1.5	AM12F0322A002
4	4		AM12F0422A003

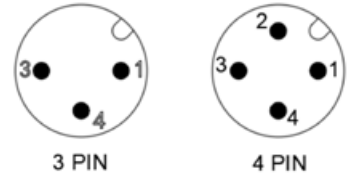
Product Description: M12 panel receptacle, rear mount, male, contacts:3,4, solder connection for wires, A code, straight, IP67



Illustration



Drawings

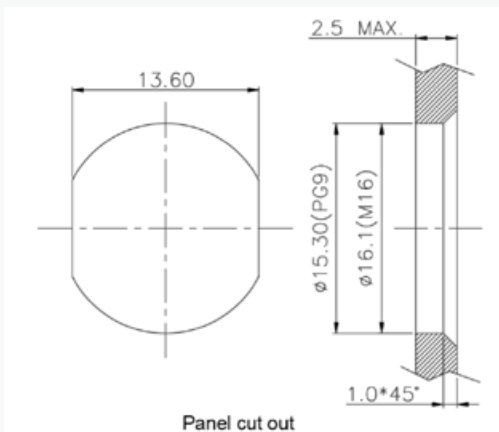


Pin assignment

Technical data

General		Electrical	
Standard	IEC61076-2-101	Rated current	4A
Locking system	Fix screw locking	Rated voltage	250V
Gender	Male	Rated Impulse voltage	2500V
Series	AM12	Insulation resistance	≥ 100 MΩ
Coding	A	EMC compliance	/
Torque	2.0N.M	Degree of protection	IP67
Category	Device connector, rear mount	Mechanical operation	> 100 mating cycles
Connection type	Solder connection for wires	Operating temperature	-25°C ~ 85°C
Applicable wire	0.34mm ² / 22AWG		
Custom tariff number	85444290		
Country of origin	China		

Panel cut-out



Panel cut out

Material	
Flammability rating	Acc. to UL94V-0
Contact material	Brass with Gold plated
Insulation material	PA66
Jam nut material	Brass with Nickel plated
Sealing material	Silicone
Shell material	Brass with Nickel plated

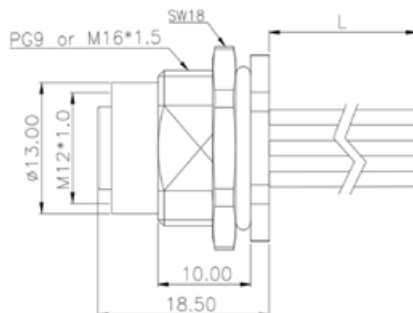
Certificates

No	Number of contacts	Fastening thread	Wire insulation	Ordering P/N
1	3	PG9	optional	AM12M0322AXXX-XXX
2	4			AM12M0422AXXX-XXX
3	3	M16*1.5		AM12M0322AXXX-XXX
4	4			AM12M0422AXXX-XXX

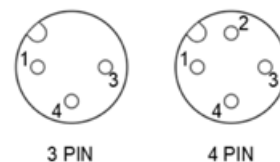
Product Description: M12 panel receptacle, rear mount, female, contacts:3,4, solder connection for wires, A code, straight, IP67



Illustration



Drawings



Pin assignment

Technical data

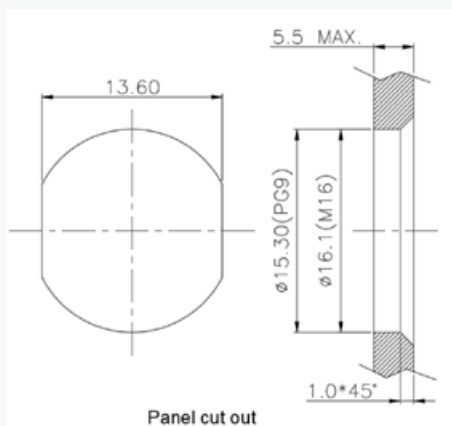
General

Standard	IEC61076-2-101
Locking system	Fix screw locking
Gender	Female
Series	AM12
Coding	A
Torque	2.0N.M
Category	Device connector, rear mount
Connection type	Solder connection for wires
Applicable wire	0.34mm ² / 22AWG
Custom tariff number	85444290
Country of origin	China

Electrical

Rated current	4A
Rated voltage	250V
Rated Impulse voltage	2500V
Insulation resistance	≥ 100 MΩ
EMC compliance	/
Degree of protection	IP67
Mechanical operation	> 100 mating cycles
Operating temperature	-25°C ~ 85°C

Panel cut-out



Material

Flammability rating	Acc. to UL94V-0
Contact material	Brass with Gold plated
Insulation material	PA66
Jam nut material	Brass with Nickel plated
Sealing material	Silicone
Shell material	Brass with Nickel plated

Certificates

No Number of contacts Fastening thread

1	3	PG9
2	4	
3	3	M16*1.5
4	4	

Wire insulation

optional

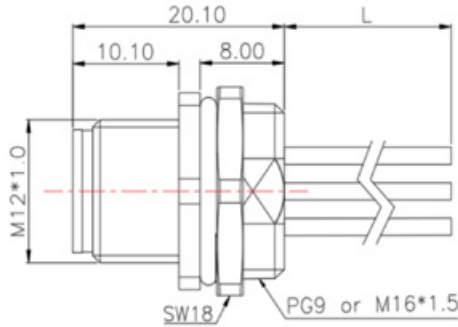
Ordering P/N

AM12F0322AXXX-XXX
AM12F0422AXXX-XXX
AM12F0322AXXX-XXX
AM12F0422AXXX-XXX

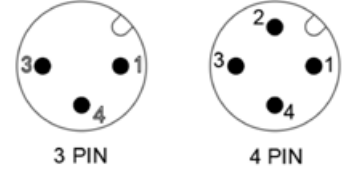
Product Description: M12 panel receptacle, front mount, male, contacts: 3,4, solder connection for wires, A code, straight, IP67



Illustration



Drawings



Pin assignment

Technical data

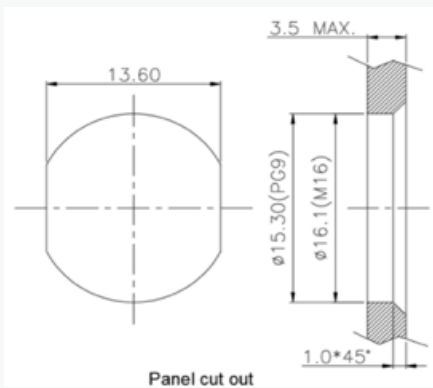
General

Standard	IEC61076-2-101
Locking system	Fix screw locking
Gender	Male
Series	AM12
Coding	A
Torque	2.0N.M
Category	Device connector, front mount
Connection type	Solder connection for wires
Applicable wire	0.34mm ² / 22AWG
Custom tariff number	85444290
Country of origin	China

Electrical

Rated current	4A
Rated voltage	250V
Rated Impulse voltage	2500V
Insulation resistance	≥ 100 MΩ
EMC compliance	/
Degree of protection	IP67
Mechanical operation	> 100 mating cycles
Operating temperature	-25°C ~ 85°C

Panel cut-out



Material

Flammability rating	Acc. to UL94V-0
Contact material	Brass with Gold plated
Insulation material	PA66
Jam nut material	Brass with Nickel plated
Sealing material	Silicone
Shell material	Brass with Nickel plated

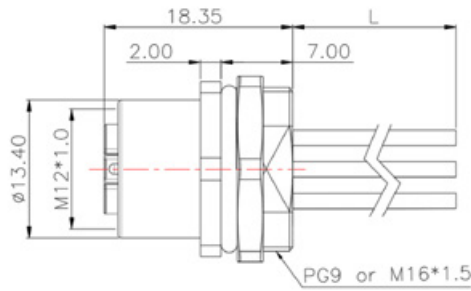
Certificates

No	Number of contacts	Fastening thread	Wire insulation	Ordering P/N
1	3	PG9	optional	AM12M0322AXXX-XXX
2	4			AM12M0422AXXX-XXX
3	3	M16*1.5		AM12M0322AXXX-XXX
4	4			AM12M0422AXXX-XXX

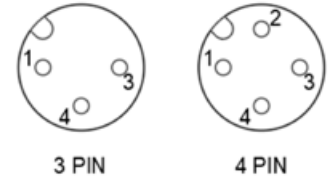
Product Description: M12 panel receptacle, front mount, female, contacts: 3,4, solder connection for wires,A code, straight, IP67



Illustration



Drawings

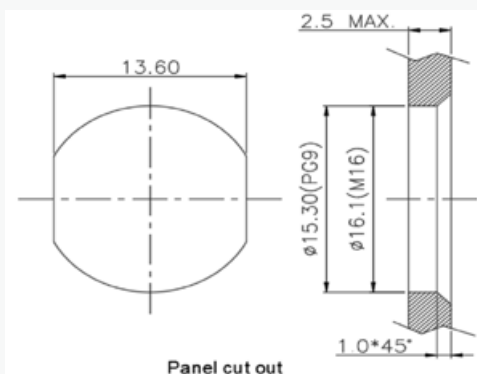


Pin assignment

Technical data

General		Electrical	
Standard	IEC61076-2-101	Rated current	4A
Locking system	Fix screw locking	Rated voltage	250V
Gender	Female	Rated Impulse voltage	2500V
Series	AM12	Insulation resistance	≥ 100 MΩ
Coding	A	EMC compliance	/
Torque	2.0N.M	Degree of protection	IP67
Category	Device connector, front mount	Mechanical operation	> 100 mating cycles
Connection type	Solder connection for wires	Operating temperature	-25°C ~ 85°C
Applicable wire	0.34mm ² / 22AWG		
Custom tariff number	85444290		
Country of origin	China		

Panel cut-out



Material

Flammability rating	Acc. to UL94V-0
Contact material	Brass with Gold plated
Insulation material	PA66
Jam nut material	Brass with Nickel plated
Sealing material	Silicone
Shell material	Brass with Nickel plated

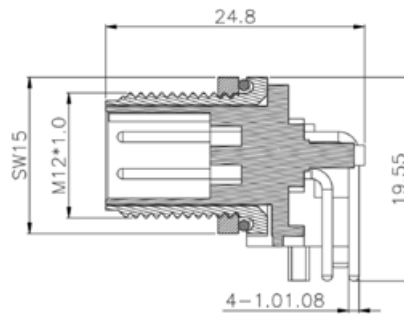
Certificates

No	Number of contacts	Fastening thread	Wire insulation	Ordering P/N
1	3	PG9	optional	AM12F0322AXXX-XXX
2	4			AM12F0422AXXX-XXX
3	3	AM12F0322AXXX-XXX		
4	4	AM12F0422AXXX-XXX		
		M16*1.5		

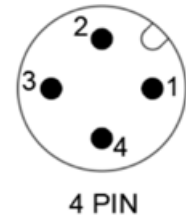
Product Description: M12 panel receptacle, rear mount, male, contacts: 4, PCB dip-solder connection, A code, right angled, IP67



Illustration



Drawings



Pin assignment

Technical data

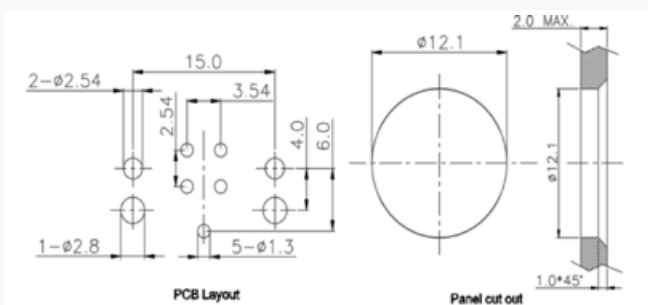
General

Standard	IEC61076-2-101
Locking system	Fix screw locking
Gender	Male
Series	AM12
Coding	A
Torque	2.0N.M
Category	Device connector, rear mount
Connection type	PCB dip-solder connection
Custom tariff number	85444290
Country of origin	China

Electrical

Rated current	4A
Rated voltage	250V
Rated Impulse voltage	2500V
Insulation resistance	≥ 100 MΩ
EMC compliance	/
Degree of protection	IP67
Mechanical operation	> 100 mating cycles
Operating temperature	-25°C ~ 85°C

Panel cut-out



Material

Flammability rating	Acc. to UL94V-0
Contact material	Brass with Gold plated
Insulation material	PA66
Jam nut material	Brass with Nickel plated
Sealing material	Silicone
Shell material	Brass with Nickel plated

Certificates

No Number of contacts

1 4

Fastening thread

M12*1.0

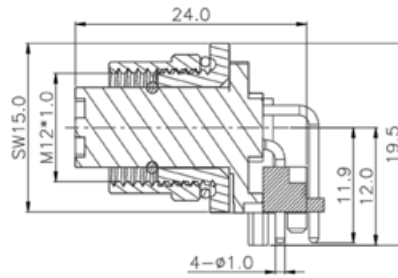
Ordering P/N

AM12M0422A003

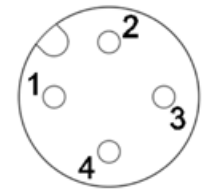
Product Description: M12 panel receptacle, rear mount, female, contacts: 4, PCB dip-solder connection, A code, right angled, IP67



Illustration



Drawings



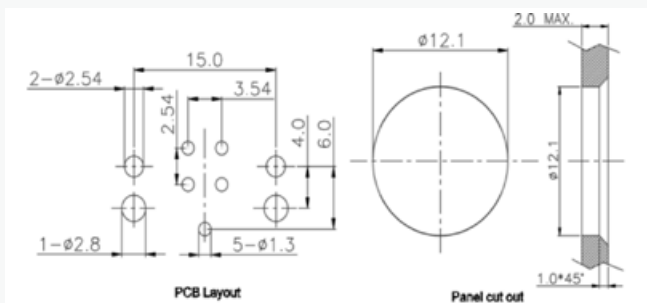
4 PIN

Pin assignment

Technical data

General		Electrical	
Standard	IEC61076-2-101	Rated current	4A
Locking system	Fix screw locking	Rated voltage	250V
Gender	Female	Rated Impulse voltage	2500V
Series	AM12	Insulation resistance	≥ 100 MΩ
Coding	A	EMC compliance	/
Torque	2.0N.M	Degree of protection	IP67
Category	Device connector, rear mount	Mechanical operation	> 100 mating cycles
Connection type	PCB dip-solder connection	Operating temperature	-25°C ~ 85°C
Custom tariff number	85444290		
Country of origin	China		

Panel cut-out



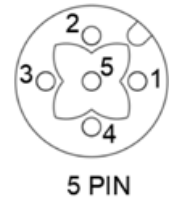
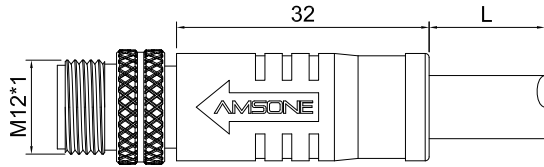
Material

Flammability rating	Acc. to UL94V-0
Contact material	Brass with Gold plated
Insulation material	PA66
Jam nut material	Brass with Nickel plated
Sealing material	Silicone
Shell material	Brass with Nickel plated

Certificates

No	Number of contacts	Fastening thread	Ordering P/N
1	4	M12*1.0	AM12F0422A005

Product Description: M12 pre-molded cable connector, male, contacts: 5, solder connection, A code, straight, IP67



Illustration

Drawings

Pin assignment

Technical data

General

Standard	IEC61076-2-101
Locking system	Fix screw locking
Gender	Male
Series	AM12
Coding	A
Torque	0.4N.M
Category	Pre-molded cable
Connection type	Solder connection
Cable outlet	variable
Custom tariff number	85444290
Country of origin	China

Electrical

Rated current	4A
Rated voltage	60V
Rated Impulse voltage	1500V
Insulation resistance	≥ 100 MΩ
EMC compliance	Optional
Degree of protection	IP67
Mechanical operation	> 100 mating cycles
Operating temperature	-25°C ~ 85°C

Cable

Cable type	UL Style
Conductor cross section	0.34mm ²
Wire gauge	22AWG
Jacket	PVC/TPU
Temperature	-25°C ~ 85°C
Other resistance	UV resistant (720 h) UL 2556 Premium oil resistance (jacket)
Wire colour	variable
Length	variable

Material

Flammability rating	Acc. to UL94V-0
Contact material	Brass with Gold plated
Insulation material	PA66
Ring nut material	Brass with Nickel plated
Sealing material	Silicone
Molding material	PVC/TPU

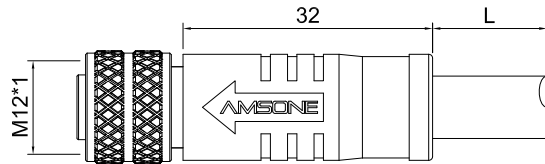
Certificates

No	Number of contacts	Cable specification and ending	EMC compliance	Ordering P/N
1	5	variable	optional	AM12M0511AXXX-XXX

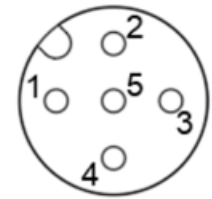
Product Description: M12 pre-molded cable connector, female, contacts: 5, solder connection, A code, straight, IP67



Illustration



Drawings



5 PIN

Pin assignment

Technical data

General

Standard	IEC61076-2-101
Locking system	Fix screw locking
Gender	Female
Series	AM12
Coding	A
Torque	0.4N.M
Category	Pre-molded cable
Connection type	Solder connection
Cable outlet	variable
Custom tariff number	85444290
Country of origin	China

Electrical

Rated current	4A
Rated voltage	60V
Rated Impulse voltage	1500V
Insulation resistance	≥ 100 MΩ
EMC compliance	Optional
Degree of protection	IP67
Mechanical operation	> 100 mating cycles
Operating temperature	-25°C ~ 85°C

Cable

Cable type	UL Style
Conductor cross section	0.34mm ²
Wire gauge	22AWG
Jacket	PVC/TPU
Temperature	-25°C ~ 85°C
Other resistance	UV resistant (720 h) UL 2556 Premium oil resistance (jacket)
Wire colour	variable
Length	variable

Material

Flammability rating	Acc. to UL94V-0
Contact material	Brass with Gold plated
Insulation material	PA66
Ring nut material	Brass with Nickel plated
Sealing material	Silicone
Molding material	PVC/TPU

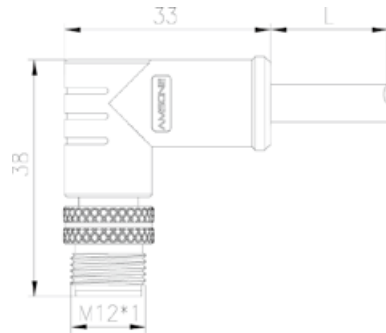
Certificates

No	Number of contacts	Cable specification and ending	EMC compliance	Ordering P/N
1	5	variable	optional	AM12F0511AXXX-XXX

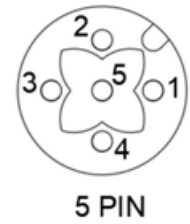
Product Description: M12 pre-molded cable connector, male, contacts: 5, solder connection, A code, right angled, IP67



Illustration



Drawings



Pin assignment

Technical data

General

Standard	IEC61076-2-101
Locking system	Fix screw locking
Gender	Male
Series	AM12
Coding	A
Torque	0.4N.M
Category	Pre-molded cable
Connection type	Solder connection
Cable outlet	variable
Custom tariff number	85444290
Country of origin	China

Electrical

Rated current	4A
Rated voltage	60V
Rated Impulse voltage	1500V
Insulation resistance	≥ 100 MΩ
EMC compliance	Optional
Degree of protection	IP67
Mechanical operation	> 100 mating cycles
Operating temperature	-25°C ~ 85°C

Cable

Cable type	UL Style
Conductor cross section	0.34mm ²
Wire gauge	22AWG
Jacket	PVC/TPU
Temperature	-25°C ~ 85°C
Other resistance	UV resistant (720 h) UL 2556 Premium oil resistance (jacket)
Wire colour	variable
Length	variable

Material

Flammability rating	Acc. to UL94V-0
Contact material	Brass with Gold plated
Insulation material	PA66
Ring nut material	Brass with Nickel plated
Sealing material	Silicone
Molding material	PVC/TPU

Certificates

No	Number of contacts	Cable specification and ending	EMC compliance	Ordering P/N
1	5	variable	optional	AM12M0511AXXX-XXX

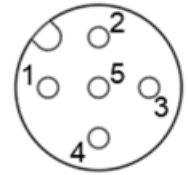
Product Description: M12 pre-molded cable connector, female, contacts: 5, solder connection, A code, right angled, IP67



Illustration



Drawings



5 PIN

Pin assignment

Technical data

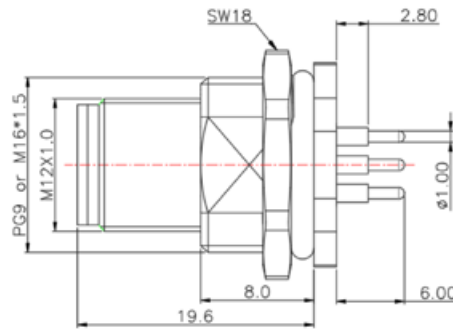
General Standard IEC61076-2-101 Locking system Fix screw locking Gender Female Series AM12 Coding A Torque 0.4N.M Category Pre-molded cable Connection type Solder connection Cable outlet variable Custom tariff number 85444290 Country of origin China		Electrical Rated current 4A Rated voltage 60V Rated Impulse voltage 1500V Insulation resistance $\geq 100 \text{ M}\Omega$ EMC compliance Optional Degree of protection IP67 Mechanical operation > 100 mating cycles Operating temperature $-25^{\circ}\text{C} \sim 85^{\circ}\text{C}$	
Cable Cable type UL Style Conductor cross section 0.34mm^2 Wire gauge 22AWG Jacket PVC/TPU Temperature $-25^{\circ}\text{C} \sim 85^{\circ}\text{C}$ Other resistance UV resistant (720 h) UL 2556 Premium oil resistance (jacket) Wire colour variable Length variable		Material Flammability rating Acc. to UL94V-0 Contact material Brass with Gold plated Insulation material PA66 Ring nut material Brass with Nickel plated Sealing material Silicone Molding material PVC/TPU Certificates	

No	Number of contacts	Cable specification and ending	EMC compliance	Ordering P/N
1	5	variable	optional	AM12F0511Axxx-xxx

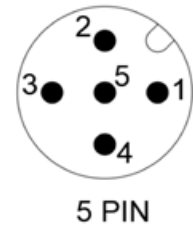
Product Description: M12 panel receptacle, rear mount, male, contacts: 5, PCB dip-solder connection, A code, straight, IP67



Illustration



Drawings



Pin assignment

Technical data

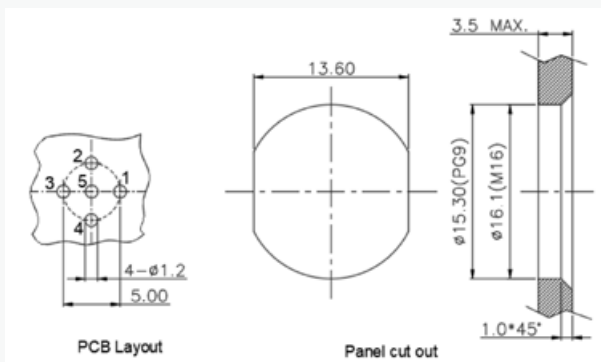
General

Standard	IEC61076-2-101
Locking system	Fix screw locking
Gender	Male
Series	AM12
Coding	A
Torque	2.0N.M
Category	Device connector, rear mount
Connection type	PCB dip-solder connection
Custom tariff number	85444290
Country of origin	China

Electrical

Rated current	4A
Rated voltage	60V
Rated Impulse voltage	1500V
Insulation resistance	≥ 100 MΩ
EMC compliance	/
Degree of protection	IP67
Mechanical operation	> 100 mating cycles
Operating temperature	-25°C ~ 85°C

Panel cut-out



Material

Flammability rating	Acc. to UL94V-0
Contact material	Brass with Gold plated
Insulation material	PA66
Jam nut material	Brass with Nickel plated
Sealing material	Silicone
Shell material	Brass with Nickel plated

Certificates

No Number of contacts

Fastening thread

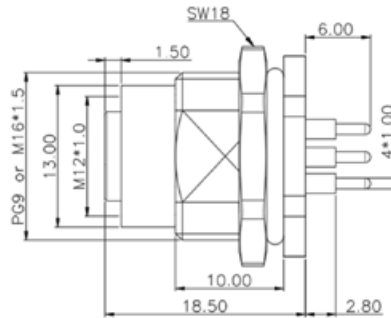
Ordering P/N

1	5	PG9	AM12M0522A001
2	5	M16*1.5	AM12M0522A002

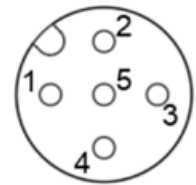
Product Description: M12 panel receptacle, rear mount, female, contacts: 5, PCB dip-solder connection, A code, straight, IP67



Illustration



Drawings



5 PIN

Pin assignment

Technical data

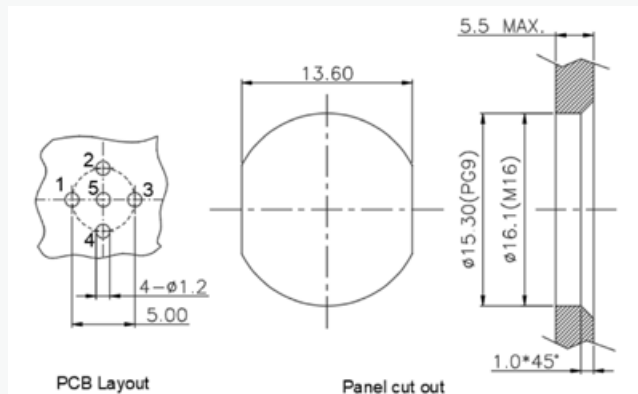
General

Standard	IEC61076-2-101
Locking system	Fix screw locking
Gender	Female
Series	AM12
Coding	A
Torque	2.0N.M
Category	Device connector, rear mount
Connection type	PCB dip-solder connection
Custom tariff number	85444290
Country of origin	China

Electrical

Rated current	4A
Rated voltage	60V
Rated Impulse voltage	1500V
Insulation resistance	≥ 100 MΩ
EMC compliance	/
Degree of protection	IP67
Mechanical operation	> 100 mating cycles
Operating temperature	-25°C ~ 85°C

Panel cut-out



Material

Flammability rating	Acc. to UL94V-0
Contact material	Brass with Gold plated
Insulation material	PA66
Jam nut material	Brass with Nickel plated
Sealing material	Silicone
Shell material	Brass with Nickel plated

Certificates

No Number of contacts

1	5
2	5

Fastening thread

PG 9
M16 * 1.5

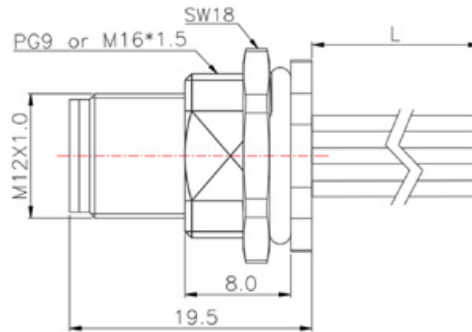
Ordering P/N

AM12F0522A001
AM12F0522A003

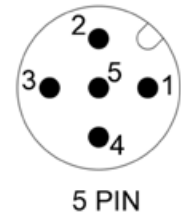
Product Description: M12 panel receptacle, rear mount, male, contacts: 5, solder connection for wires, A code, straight, IP67



Illustration



Drawings

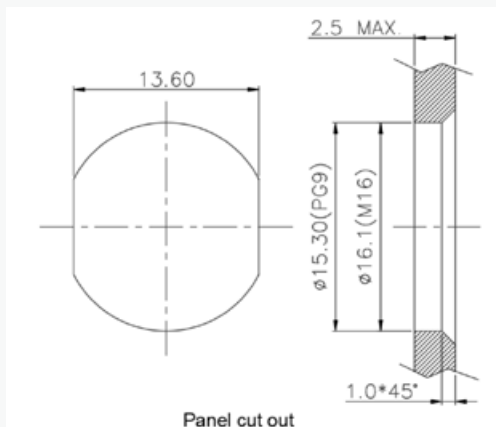


Pin assignment

Technical data

General		Electrical	
Standard	IEC61076-2-101	Rated current	4A
Locking system	Fix screw locking	Rated voltage	60V
Gender	Male	Rated Impulse voltage	1500V
Series	AM12	Insulation resistance	≥ 100 MΩ
Coding	A	EMC compliance	/
Torque	2.0N.M	Degree of protection	IP67
Category	Device connector, rear mount	Mechanical operation	> 100 mating cycles
Connection type	Solder connection for wires	Operating temperature	-25°C ~ 85°C
Applicable wire	0.34mm ² / 22AWG		
Custom tariff number	85444290		
Country of origin	China		

Panel cut-out



Panel cut out

Material	
Flammability rating	Acc. to UL94V-0
Contact material	Brass with Gold plated
Insulation material	PA66
Jam nut material	Brass with Nickel plated
Sealing material	Silicone
Shell material	Brass with Nickel plated

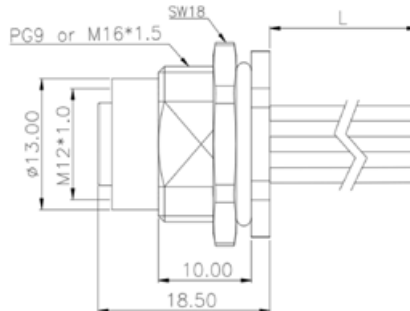
Certificates

No	Number of contacts	Fastening thread	Wire insulation	Ordering P/N
1	5	PG9		AM12M0522AXXX-XXX
			optional	
2	5	M16*1.5		AM12M0522AXXX-XXX

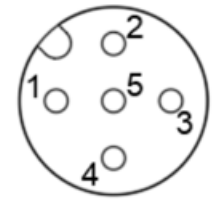
Product Description: M12 panel receptacle, rear mount, female, contacts: 5, solder connection for wires, A code, straight, IP67



Illustration



Drawings



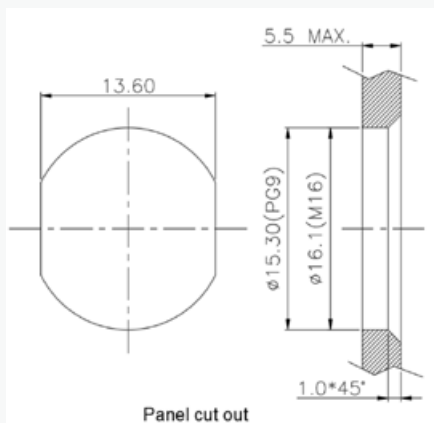
5 PIN

Pin assignment

Technical data

General		Electrical	
Standard	IEC61076-2-101	Rated current	4A
Locking system	Fix screw locking	Rated voltage	60V
Gender	Female	Rated Impulse voltage	1500V
Series	AM12	Insulation resistance	≥ 100 MΩ
Coding	A	EMC compliance	/
Torque	2.0N.M	Degree of protection	IP67
Category	Device connector, rear mount	Mechanical operation	> 100 mating cycles
Connection type	Solder connection for wires	Operating temperature	-25°C ~ 85°C
Applicable wire	0.34mm ² / 22AWG		
Custom tariff number	85444290		
Country of origin	China		

Panel cut-out



Material

Flammability rating	Acc. to UL94V-0
Contact material	Brass with Gold plated
Insulation material	PA66
Jam nut material	Brass with Nickel plated
Sealing material	Silicone
Shell material	Brass with Nickel plated

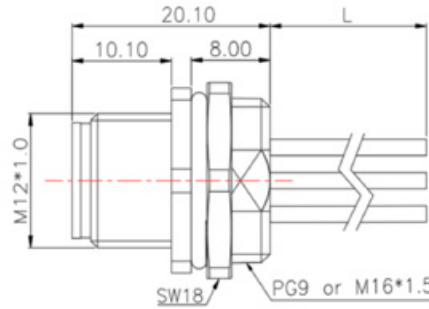
Certificates

No	Number of contacts	Fastening thread	Wire insulation	Ordering P/N
1	5	PG9		AM12F0522AXXX-XXX
			optional	
2	5	M16*1.5		AM12F0522AXXX-XXX

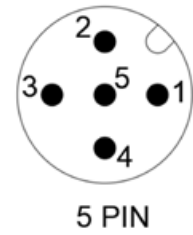
Product Description: M12 panel receptacle, front mount, male, contacts:5, solder connection for wires, A code, straight, IP67



Illustration



Drawings



Pin assignment

Technical data

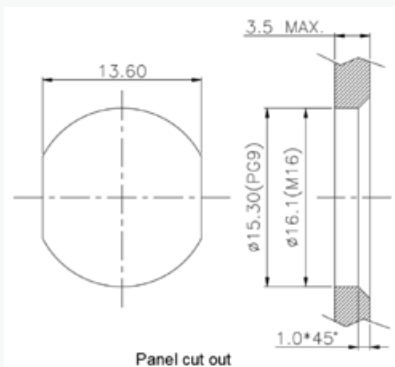
General

Standard	IEC61076-2-101
Locking system	Fix screw locking
Gender	Male
Series	AM12
Coding	A
Torque	2.0N.M
Category	Device connector, front mount
Connection type	Solder connection for wires
Applicable wire	0.34mm ² / 22AWG
Custom tariff number	85444290
Country of origin	China

Electrical

Rated current	4A
Rated voltage	60V
Rated Impulse voltage	1500V
Insulation resistance	≥ 100 MΩ
EMC compliance	/
Degree of protection	IP67
Mechanical operation	> 100 mating cycles
Operating temperature	-25°C ~ 85°C

Panel cut-out



Material

Flammability rating	Acc. to UL94V-0
Contact material	Brass with Gold plated
Insulation material	PA66
Jam nut material	Brass with Nickel plated
Sealing material	Silicone
Shell material	Brass with Nickel plated

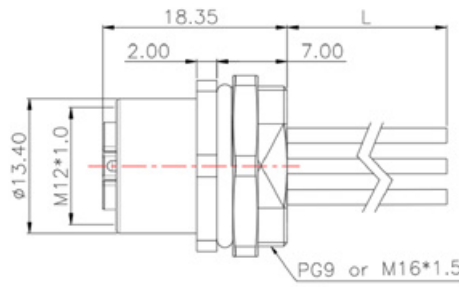
Certificates

No	Number of contacts	Fastening thread	Wire insulation	Ordering P/N
1	5	PG9	optional	AM12M0522AXXX-XXX
2	5	M16*1.5		AM12M0522AXXX-XXX

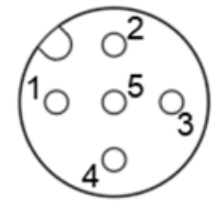
Product Description: M12 panel receptacle, front mount, female, contacts:5, solder connection for wires, A code, straight, IP67



Illustration



Drawings



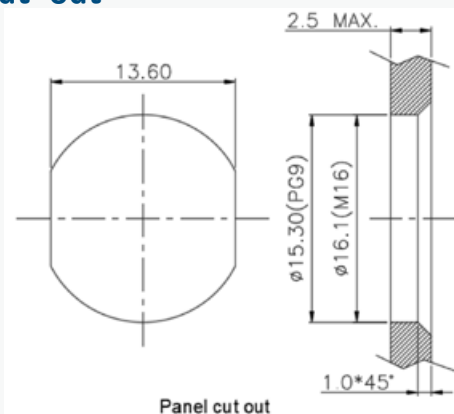
5 PIN

Pin assignment

Technical data

General		Electrical	
Standard	IEC61076-2-101	Rated current	4A
Locking system	Fix screw locking	Rated voltage	60V
Gender	Female	Rated Impulse voltage	1500V
Series	AM12	Insulation resistance	≥ 100 MΩ
Coding	A	EMC compliance	/
Torque	2.0N.M	Degree of protection	IP67
Category	Device connector, front mount	Mechanical operation	> 100 mating cycles
Connection type	Solder connection for wires	Operating temperature	-25°C ~ 85°C
Applicable wire	0.34mm ² / 22AWG		
Custom tariff number	85444290		
Country of origin	China		

Panel cut-out



Material

Flammability rating	Acc. to UL94V-0
Contact material	Brass with Gold plated
Insulation material	PA66
Jam nut material	Brass with Nickel plated
Sealing material	Silicone
Shell material	Brass with Nickel plated

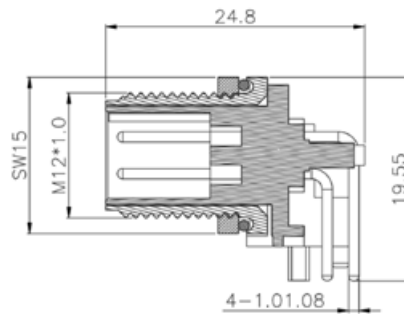
Certificates

No	Number of contacts	Fastening thread	Wire insulation	Ordering P/N
1	5	PG9	optional	AM12F0522AXXX-XXX
2	5	M16*1.5		AM12F0522AXXX-XXX

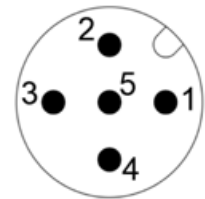
Product Description: M12 panel receptacle, rear mount, male, contacts: 5, PCB dip-solder connection, A code, right angled, IP67



Illustration



Drawings



5 PIN

Pin assignment

Technical data

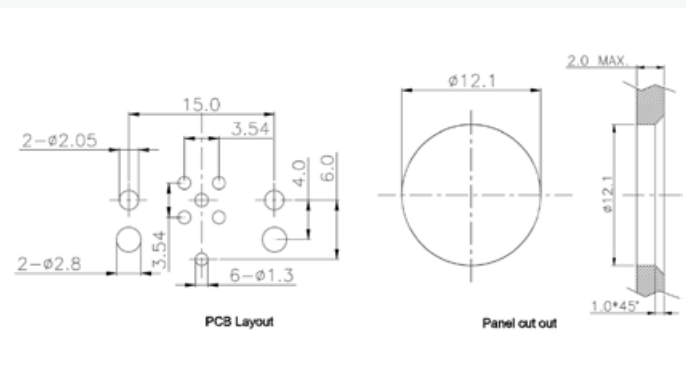
General

Standard	IEC61076-2-101
Locking system	Fix screw locking
Gender	Male
Series	AM12
Coding	A
Torque	2.0N.M
Category	Device connector, rear mount
Connection type	PCB dip-solder connection
Custom tariff number	85444290
Country of origin	China

Electrical

Rated current	4A
Rated voltage	60V
Rated Impulse voltage	1500V
Insulation resistance	≥ 100 MΩ
EMC compliance	/
Degree of protection	IP67
Mechanical operation	> 100 mating cycles
Operating temperature	-25°C ~ 85°C

Panel cut-out



Material

Flammability rating	Acc. to UL94V-0
Contact material	Brass with Gold plated
Insulation material	PA66
Jam nut material	Brass with Nickel plated
Sealing material	Silicone
Shell material	Brass with Nickel plated

Certificates

No Number of contacts

1 5

Fastening thread

M12*1.0

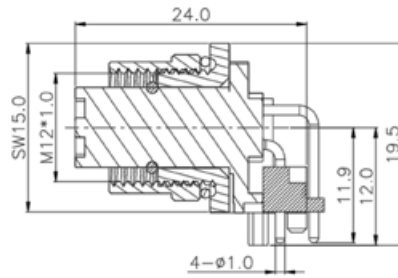
Ordering P/N

AM12M0522A007

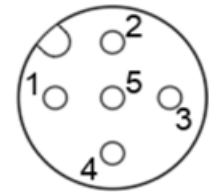
Product Description: M12 panel receptacle, rear mount, female, contacts: 5, PCB dip-solder connection, A code, right angled, IP67



Illustration



Drawings



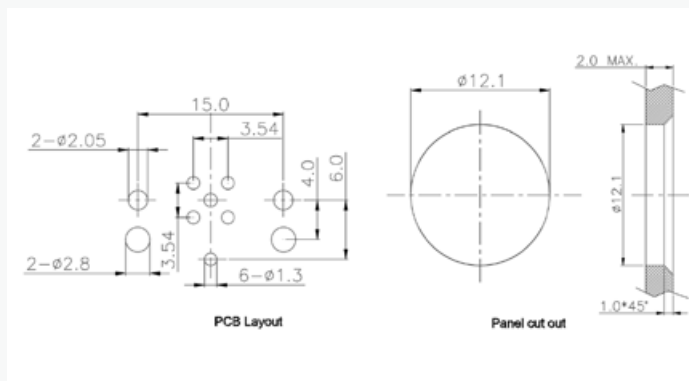
5 PIN

Pin assignment

Technical data

General		Electrical	
Standard	IEC61076-2-101	Rated current	4A
Locking system	Fix screw locking	Rated voltage	60V
Gender	Female	Rated Impulse voltage	1500V
Series	AM12	Insulation resistance	≥ 100 MΩ
Coding	A	EMC compliance	/
Torque	2.0N.M	Degree of protection	IP67
Category	Device connector, rear mount	Mechanical operation	> 100 mating cycles
Connection type	PCB dip-solder connection	Operating temperature	-25°C ~ 85°C
Custom tariff number	85444290		
Country of origin	China		

Panel cut-out



Material

Flammability rating	Acc. to UL94V-0
Contact material	Brass with Gold plated
Insulation material	PA66
Jam nut material	Brass with Nickel plated
Sealing material	Silicone
Shell material	Brass with Nickel plated

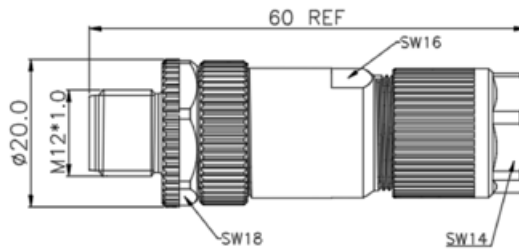
Certificates

No	Number of contacts	Fastening thread	Ordering P/N
1	5	M12*1.0	AM12F0522A007

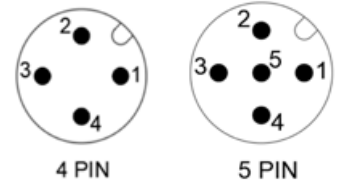
Product Description: M12 cable connector, male, contacts: 4, 5, field assembly type, screw connection, A code, straight, IP67



Illustration



Drawings



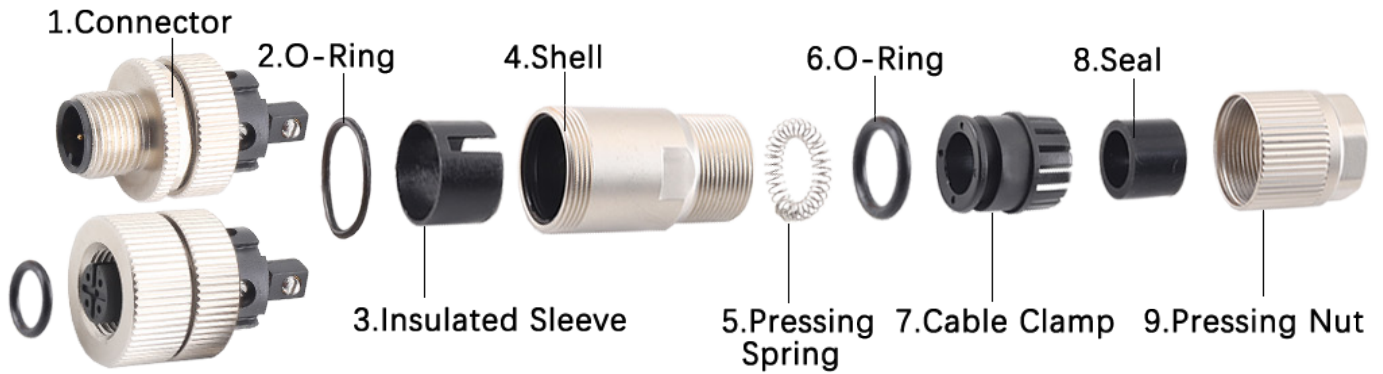
Pin assignment

Technical data

General		Electrical	
Standard	IEC61076-2-101	4Pin	5Pin
Locking system	Fix screw locking	Rated current	4A 4A
Gender	Male	Rated voltage	250V 60V
Series	AM12	Rated Impulse voltage	2500V 1500V
Coding	A	Insulation resistance	≥ 100 MΩ
Torque	0.5N.M	EMC compliance	Shieldable
Category	Field assembly	Degree of protection	IP67
Connection type	Screws connection	Mechanical operation	> 100 mating cycles
Wire gauge(max.)	22AWG	Operating temperature	-25°C ~ 85°C
Cable outlet	OD4~8mm		
Custom tariff number	85444290		
Country of origin	China		

Material		Certificates
Flammability rating	Acc. to UL94V-0	
Contact material	Brass with Gold plated	
Insulation material	PA66	
Jam nut material	Brass with Nickel plated	
Sealing material	Silicone	
Shell material	Brass with Nickel plated	

No	Number of contacts	Suitable cable diameter	Ordering P/N
1	4	Ø 4 - 6 mm	AM12M0414A003
2	4	Ø 6 - 8 mm	AM12M0414A001
3	5	Ø 4 - 6 mm	AM12M0514A006
4	5	Ø 6 - 8 mm	AM12M0514A004



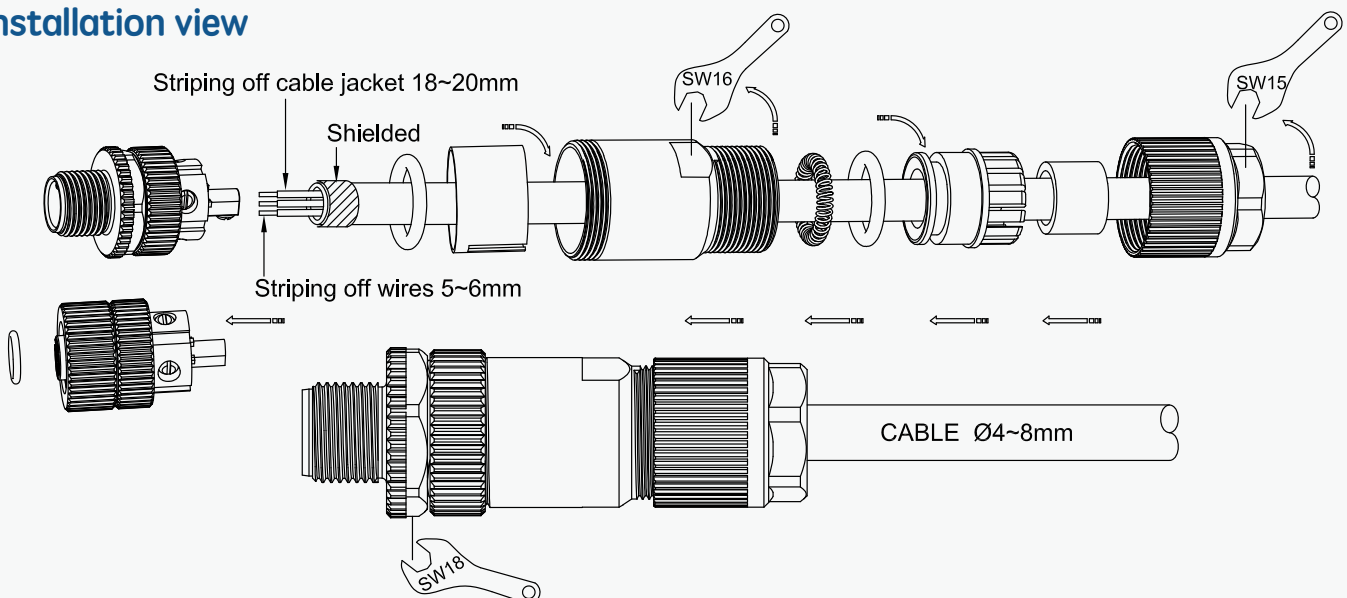
Connector part drawing

Assembly instructions

Installation steps

1. Strip off the cable jacket : 18~20mm.
2. Install the connector parts on the cable in sequence.
3. Reserve the shield 5mm, fold it back to the cable jacket, and wrap it with copper foil. (If the cable has a shielded)
4. Strip off the conductor insulation : 5~6mm.
5. Insert the wire into the terminal hole according to the color corresponding to the pins and locking it with screws.
6. Insert the insulated sleeve into the shell body.
7. Use the corresponding wrench to locking connector and shell body.
- 8 Installation spring, O-ring, cable clamp, seal.
9. Use a wrench to lock the lock nut with the shell body.

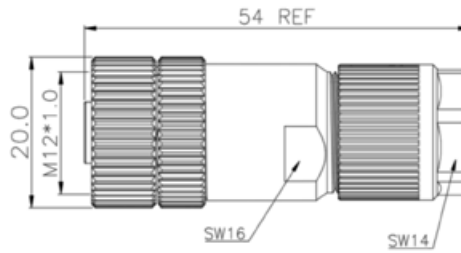
Installation view



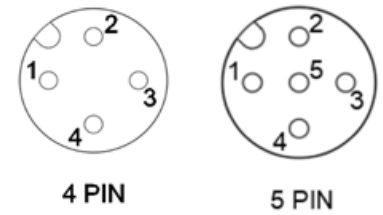
Product Description: M12 cable connector, female, contacts: 4, 5, field assembly type, screw connection, A code, straight, IP67



Illustration



Drawings



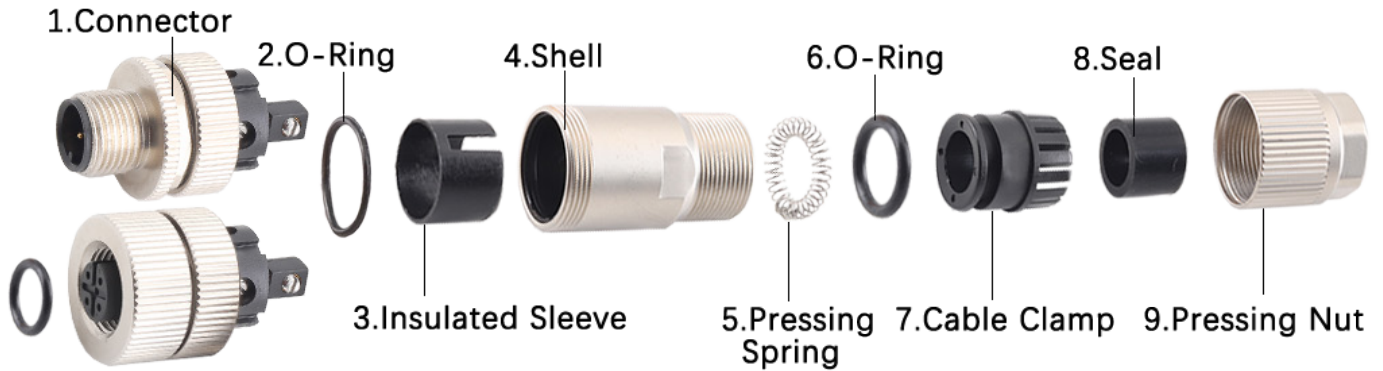
Pin assignment

Technical data

General		Electrical	
Standard	IEC61076-2-101	4Pin	5Pin
Locking system	Fix screw locking	Rated current	4A 4A
Gender	Female	Rated voltage	250V 60V
Series	AM12	Rated Impulse voltage	2500V 1500V
Coding	A	Insulation resistance	≥ 100 MΩ
Torque	0.5N.M	EMC compliance	Shieldable
Category	Field assembly	Degree of protection	IP67
Connection type	Screws connection	Mechanical operation	> 100 mating cycles
Wire gauge(max.)	22AWG	Operating temperature	-25°C ~ 85°C
Cable outlet	OD4~8mm		
Custom tariff number	85444290		
Country of origin	China		

Material		Certificates
Flammability rating	Acc. to UL94V-0	
Contact material	Brass with Gold plated	
Insulation material	PA66	
Jam nut material	Brass with Nickel plated	
Sealing material	Silicone	
Shell material	Brass with Nickel plated	

No	Number of contacts	Suitable cable diameter	Ordering P/N
1	4	∅ 4 - 6 mm	AM12F0414A003
2	4	∅ 6 - 8 mm	AM12F0414A001
3	5	∅ 4 - 6 mm	AM12F0514A007
4	5	∅ 6 - 8 mm	AM12F0514A005



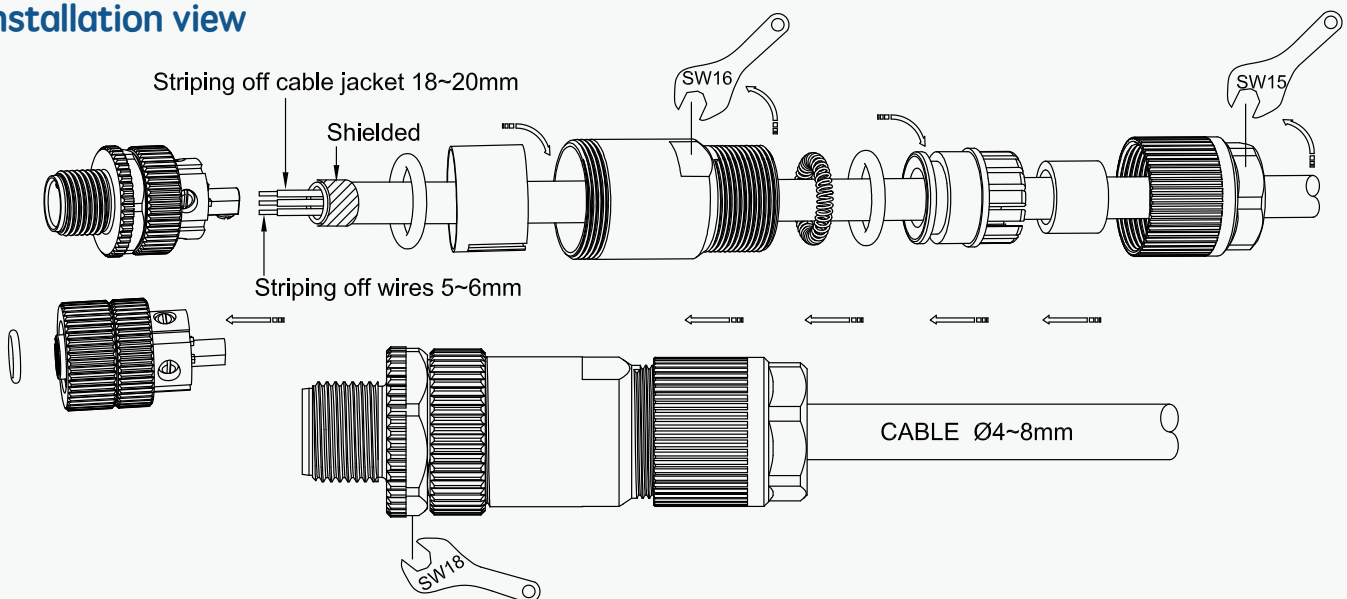
Connector part drawing

Assembly instructions

Installation steps

1. Strip off the cable jacket : 18~20mm.
2. Install the connector parts on the cable in sequence.
3. Reserve the shield 5mm, fold it back to the cable jacket, and wrap it with copper foil. (If the cable has a shielded)
4. Strip off the conductor insulation : 5~6mm.
5. Insert the wire into the terminal hole according to the color corresponding to the pins and locking it with screws.
6. Insert the insulated sleeve into the shell body.
7. Use the corresponding wrench to locking connector and shell body.
8. Installation spring, O-ring, cable clamp, seal.
9. Use a wrench to lock the lock nut with the shell body.

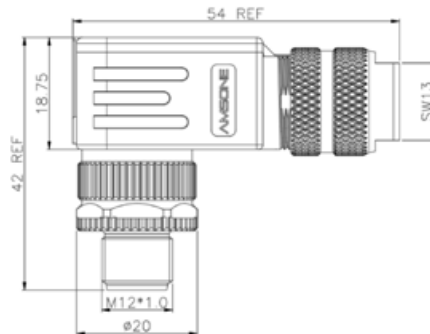
Installation view



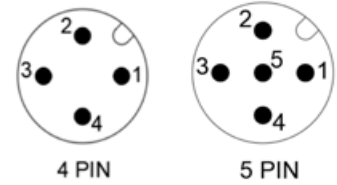
Product Description: M12 cable connector, male, contacts: 4, 5, field assembly type, screw connection, A code, right angled, IP67



Illustration



Drawings



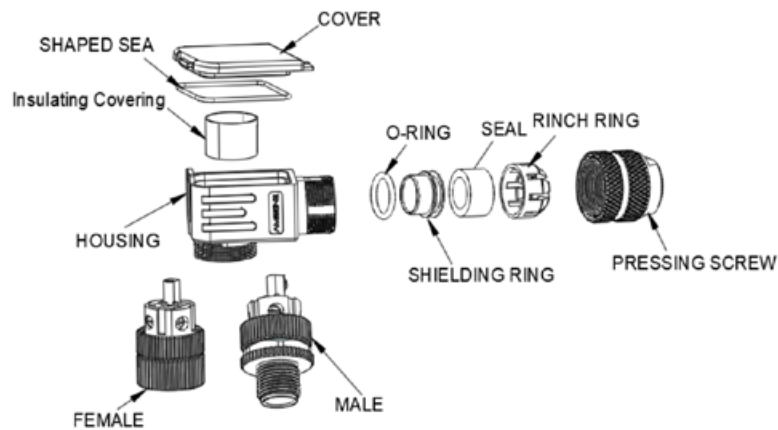
Pin assignment

Technical data

General		Electrical	
Standard	IEC61076-2-101	4Pin	5Pin
Locking system	Fix screw locking	Rated current	4A 4A
Gender	Male	Rated voltage	250V 60V
Series	AM12	Rated Impulse voltage	2500V 1500V
Coding	A	Insulation resistance	≥ 100 MΩ
Torque	0.5N.M	EMC compliance	Shieldable
Category	Field assembly	Degree of protection	IP67
Connection type	Screws connection	Mechanical operation	> 100 mating cycles
Wire gauge(max.)	22AWG	Operating temperature	-25°C ~ 85°C
Cable outlet	OD4~8mm		
Custom tariff number	85444290		
Country of origin	China		

Material		Certificates
Flammability rating	Acc. to UL94V-0	
Contact material	Brass with Gold plated	
Insulation material	PA66	
Jam nut material	Brass with Nickel plated	
Sealing material	Silicone	
Shell material	Brass with Nickel plated	

No	Number of contacts	Suitable cable diameter	Ordering P/N
1	4	Ø 4 - 6 mm	AM12M0434A006
2	4	Ø 6 - 8 mm	AM12M0414A005
3	5	Ø 4 - 6 mm	AM12M0514A011
4	5	Ø 6 - 8 mm	AM12M0514A012



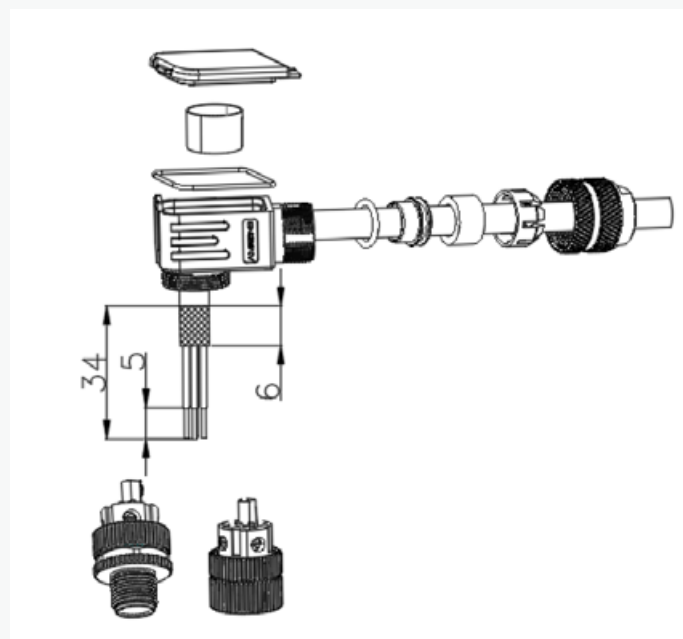
Connector part drawing

Assembly instructions

Installation steps

- 1.Strip the external sheath: 34mm.
- 2.Strip the conductor insulation: 5mm.
- 3.Leave 6MM for braid and cut off the excess.
- 4.Shield is folded and wrapped in copper foil
- 5.push the part onto the cable in sequence.
- 6.Insert the conductor of the cable into the terminal hole and lock the screw.
- 7.Assemble the remaining parts and lock with wrench.

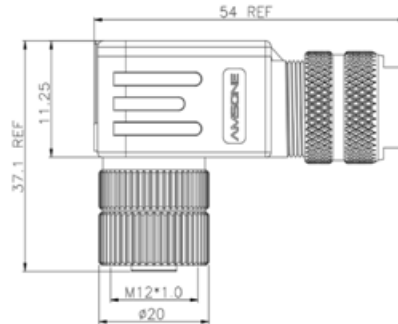
Installation view



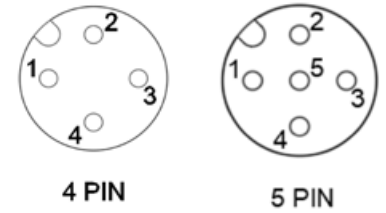
Product Description: M12 cable connector, female, contacts: 4, 5, field assembly type, screw connection, A code, right angled, IP67



Illustration



Drawings



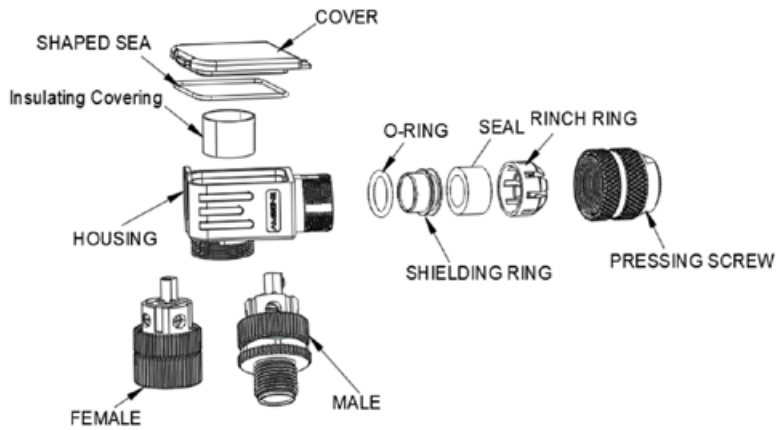
Pin assignment

Technical data

General		Electrical	
Standard	IEC61076-2-101	4Pin	5Pin
Locking system	Fix screw locking	Rated current	4A 4A
Gender	Female	Rated voltage	250V 60V
Series	AM12	Rated Impulse voltage	2500V 1500V
Coding	A	Insulation resistance	≥ 100 MΩ
Torque	0.5N.M	EMC compliance	Shieldable
Category	Field assembly	Degree of protection	IP67
Connection type	Screws connection	Mechanical operation	> 100 mating cycles
Wire gauge(max.)	22AWG	Operating temperature	-25°C ~ 85°C
Cable outlet	OD4~8mm		
Custom tariff number	85444290		
Country of origin	China		

Material		Certificates
Flammability rating	Acc. to UL94V-0	
Contact material	Brass with Gold plated	
Insulation material	PA66	
Jam nut material	Brass with Nickel plated	
Sealing material	Silicone	
Shell material	Brass with Nickel plated	

No	Number of contacts	Suitable cable diameter	Ordering P/N
1	4	Ø 4 - 6 mm	AM12F0414A006
2	4	Ø 6 - 8 mm	AM12F0414A007
3	5	Ø 4 - 6 mm	AM12F0534A007
4	5	Ø 6 - 8 mm	AM12F0534A008



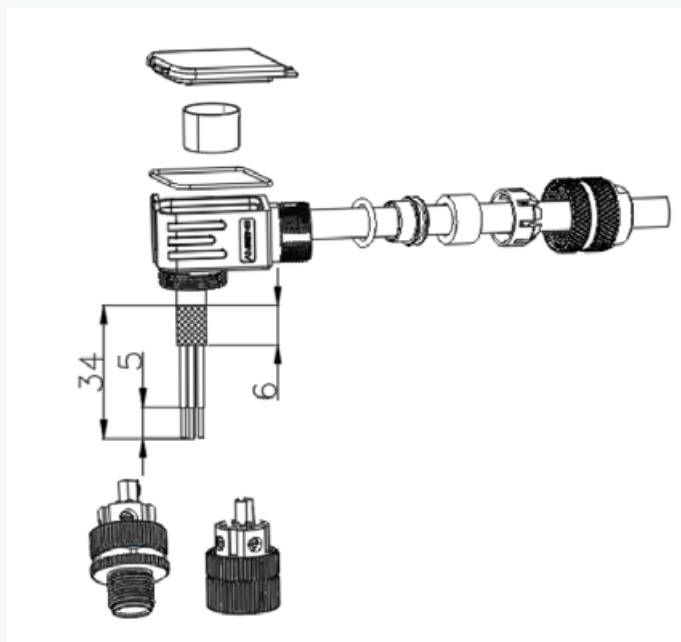
Connector part drawing

Assembly instructions

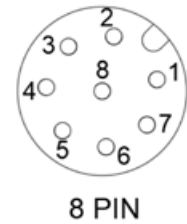
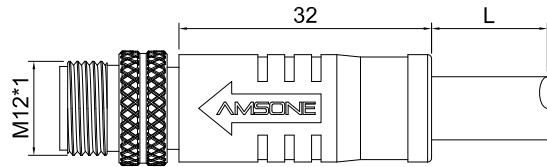
Installation steps

- 1.Strip the external sheath: 34mm.
- 2.Strip the conductor insulation: 5mm.
- 3.Leave 6MM for braid and cut off the excess.
- 4.Shield is folded and wrapped in copper foil
- 5.push the part onto the cable in sequence.
- 6.Insert the conductor of the cable into the terminal hole and lock the screw.
- 7.Assemble the remaining parts and lock with wrench.

Installation view



Product Description: M12 pre-molded cable connector, male, contacts: 8, solder connection, A code, straight, IP67



Illustration

Drawings

Pin assignment

Technical data

General

Standard	IEC61076-2-101
Locking system	Fix screw locking
Gender	Male
Series	AM12
Coding	A
Torque	0.4N.M
Category	Pre-molded cable
Connection type	Solder connection
Cable outlet	variable
Custom tariff number	85444290
Country of origin	China

Electrical

Rated current	2A
Rated voltage	30V
Rated Impulse voltage	800V
Insulation resistance	≥ 100 MΩ
EMC compliance	Optional
Degree of protection	IP67
Mechanical operation	> 100 mating cycles
Operating temperature	-25°C ~ 85°C

Cable

Cable type	UL Style
Conductor cross section	0.25mm ²
Wire gauge	24AWG
Jacket	PVC/TPU
Temperature	-25°C ~ 85°C
Other resistance	UV resistant (720 h) UL 2556 Premium oil resistance (jacket)
Wire colour	variable
Length	variable

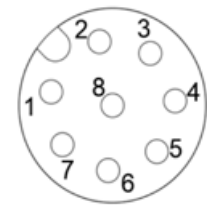
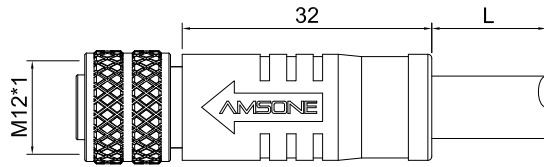
Material

Flammability rating	Acc. to UL94V-0
Contact material	Brass with Gold plated
Insulation material	PA66
Ring nut material	Brass with Nickel plated
Sealing material	Silicone
Molding material	PVC/TPU

Certificates

No	Number of contacts	Cable specification and ending	EMC compliance	Ordering P/N
1	8	variable	optional	AM12M0811AXXX-XXX

Product Description: M12 pre-molded cable connector, female, contacts: 8, solder connection, A code, straight, IP67



8 PIN

Illustration

Drawings

Pin assignment

Technical data

General

Standard	IEC61076-2-101
Locking system	Fix screw locking
Gender	Female
Series	AM12
Coding	A
Torque	0.4N.M
Category	Pre-molded cable
Connection type	Solder connection
Cable outlet	variable
Custom tariff number	85444290
Country of origin	China

Electrical

Rated current	2A
Rated voltage	30V
Rated Impulse voltage	800V
Insulation resistance	≥ 100 MΩ
EMC compliance	Optional
Degree of protection	IP67
Mechanical operation	> 100 mating cycles
Operating temperature	-25°C ~ 85°C

Cable

Cable type	UL Style
Conductor cross section	0.25mm ²
Wire gauge	24AWG
Jacket	PVC/TPU
Temperature	-25°C ~ 85°C
Other resistance	UV resistant (720 h) UL 2556 Premium oil resistance (jacket) variable
Wire colour	variable
Length	variable

Material

Flammability rating	Acc. to UL94V-0
Contact material	Brass with Gold plated
Insulation material	PA66
Ring nut material	Brass with Nickel plated
Sealing material	Silicone
Molding material	PVC/TPU

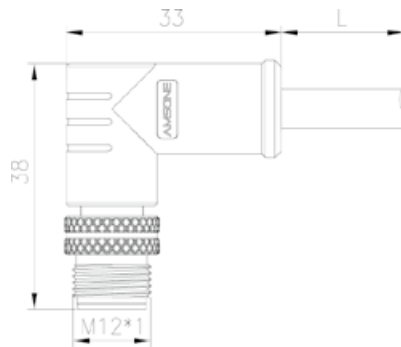
Certificates

No	Number of contacts	Cable specification and ending	EMC compliance	Ordering P/N
1	8	variable	optional	AM12F0811AXXX-XXX

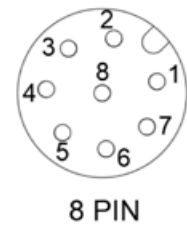
Product Description: M12 pre-molded cable connector, male, contacts: 8, solder connection, A code, right angled, IP67



Illustration



Drawings



Pin assignment

Technical data

General

Standard	IEC61076-2-101
Locking system	Fix screw locking
Gender	Male
Series	AM12
Coding	A
Torque	0.4N.M
Category	Pre-molded cable
Connection type	Solder connection
Cable outlet	variable
Custom tariff number	85444290
Country of origin	China

Electrical

Rated current	2A
Rated voltage	30V
Rated Impulse voltage	800V
Insulation resistance	≥ 100 MΩ
EMC compliance	Optional
Degree of protection	IP67
Mechanical operation	> 100 mating cycles
Operating temperature	-25°C ~ 85°C

Cable

Cable type	UL Style
Conductor cross section	0.25mm ²
Wire gauge	24AWG
Jacket	PVC/TPU
Temperature	-25°C ~ 85°C
Other resistance	UV resistant (720 h) UL 2556 Premium oil resistance (jacket)
Wire colour	variable
Length	variable

Material

Flammability rating	Acc. to UL94V-0
Contact material	Brass with Gold plated
Insulation material	PA66
Ring nut material	Brass with Nickel plated
Sealing material	Silicone
Molding material	PVC/TPU

Certificates

No	Number of contacts	Cable specification and ending	EMC compliance	Ordering P/N
1	8	variable	optional	AM12M0811AXXX-XXX

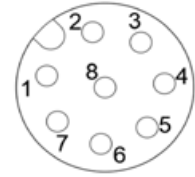
Product Description: M12 pre-molded cable connector, female, contacts: 8, solder connection, A code, right angled, IP67



Illustration



Drawings



8 PIN

Pin assignment

Technical data

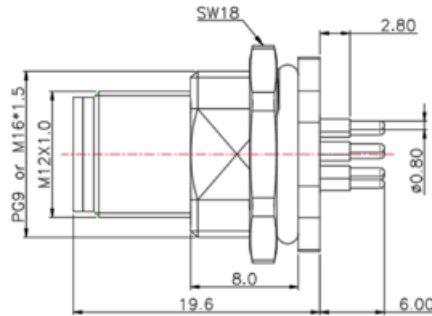
General Standard IEC61076-2-101 Locking system Fix screw locking Gender Female Series AM12 Coding A Torque 0.4N.M Category Pre-molded cable Connection type Solder connection Cable outlet variable Custom tariff number 85444290 Country of origin China		Electrical Rated current 2A Rated voltage 30V Rated Impulse voltage 800V Insulation resistance $\geq 100 M\Omega$ EMC compliance Optional Degree of protection IP67 Mechanical operation > 100 mating cycles Operating temperature $-25^{\circ}C \sim 85^{\circ}C$	
Cable Cable type UL Style Conductor cross section $0.25mm^2$ Wire gauge 24AWG Jacket PVC/TPU Temperature $-25^{\circ}C \sim 85^{\circ}C$ Other resistance UV resistant (720 h) UL 2556 Premium oil resistance (jacket) variable Wire colour variable Length variable		Material Flammability rating Acc. to UL94V-0 Contact material Brass with Gold plated Insulation material PA66 Ring nut material Brass with Nickel plated Sealing material Silicone Molding material PVC/TPU Certificates	

No	Number of contacts	Cable specification and ending	EMC compliance	Ordering P/N
1	8	variable	optional	AM12F0811AXXX-XXX

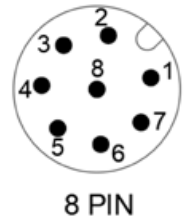
Product Description: M12 panel receptacle, rear mount, male, contacts: 8, PCB dip-solder connection, A code, straight, IP67



Illustration



Drawings



Pin assignment

Technical data

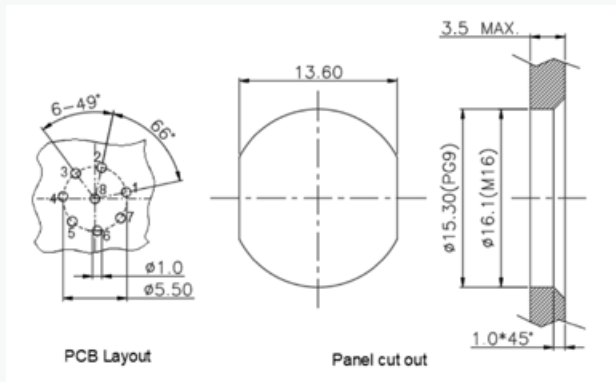
General

Standard	IEC61076-2-101
Locking system	Fix screw locking
Gender	Male
Series	AM12
Coding	A
Torque	2.0N.M
Category	Device connector, rear mount
Connection type	PCB dip-solder connection
Custom tariff number	85444290
Country of origin	China

Electrical

Rated current	2A
Rated voltage	30V
Rated Impulse voltage	800V
Insulation resistance	≥ 100 MΩ
EMC compliance	/
Degree of protection	IP67
Mechanical operation	> 100 mating cycles
Operating temperature	-25°C ~ 85°C

Panel cut-out



Material

Flammability rating	Acc. to UL94V-0
Contact material	Brass with Gold plated
Insulation material	PA66
Jam nut material	Brass with Nickel plated
Sealing material	Silicone
Shell material	Brass with Nickel plated

Certificates

No Number of contacts

Fastening thread

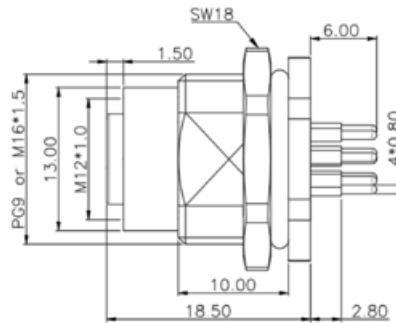
Ordering P/N

1	8	PG 9	AM12M0822A001
2	8	M16*1.5	AM12M0822A002

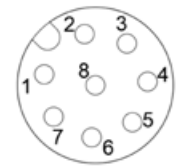
Product Description: M12 panel receptacle, rear mount, female, contacts: 8, PCB dip-solder connection, A code, straight, IP67



Illustration



Drawings



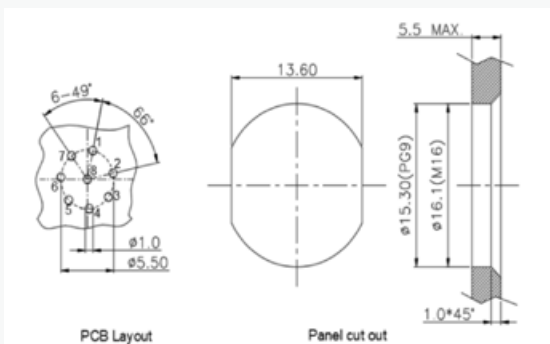
8 PIN

Pin assignment

Technical data

General		Electrical	
Standard	IEC61076-2-101	Rated current	2A
Locking system	Fix screw locking	Rated voltage	30V
Gender	Female	Rated Impulse voltage	800V
Series	AM12	Insulation resistance	≥ 100 MΩ
Coding	A	EMC compliance	/
Torque	2.0N.M	Degree of protection	IP67
Category	Device connector, rear mount	Mechanical operation	> 100 mating cycles
Connection type	PCB dip-solder connection	Operating temperature	-25°C ~ 85°C
Custom tariff number	85444290		
Country of origin	China		

Panel cut-out



Material

Flammability rating	Acc. to UL94V-0
Contact material	Brass with Gold plated
Insulation material	PA66
Jam nut material	Brass with Nickel plated
Sealing material	Silicone
Shell material	Brass with Nickel plated

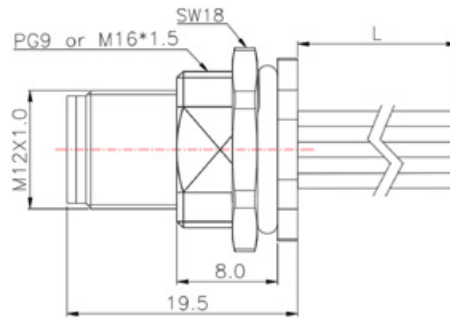
Certificates

No	Number of contacts	Fastening thread	Ordering P/N
1	8	PG9	AM12F0822A001
2	8	M16*1.5	AM12F0822A002

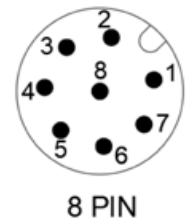
Product Description: M12 panel receptacle, rear mount, male, contacts: 8, solder connection for wires, A code, straight, IP67



Illustration



Drawings



Pin assignment

Technical data

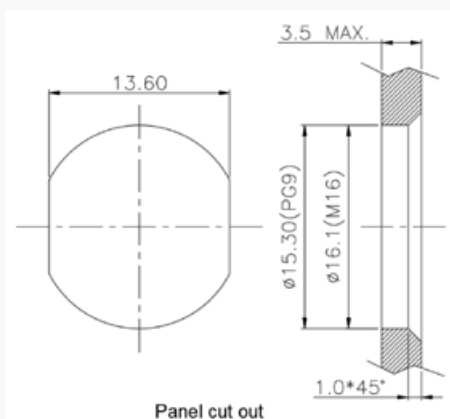
General

Standard	IEC61076-2-101
Locking system	Fix screw locking
Gender	Male
Series	AM12
Coding	A
Torque	2.0N.M
Category	Device connector, rear mount
Connection type	Solder connection for wires
Applicable wire	0.25mm ² / 24AWG
Custom tariff number	85444290
Country of origin	China

Electrical

Rated current	2A
Rated voltage	30V
Rated Impulse voltage	800V
Insulation resistance	≥ 100 MΩ
EMC compliance	/
Degree of protection	IP67
Mechanical operation	> 100 mating cycles
Operating temperature	-25°C ~ 85°C

Panel cut-out



Material

Flammability rating	Acc. to UL94V-0
Contact material	Brass with Gold plated
Insulation material	PA66
Jam nut material	Brass with Nickel plated
Sealing material	Silicone
Shell material	Brass with Nickel plated

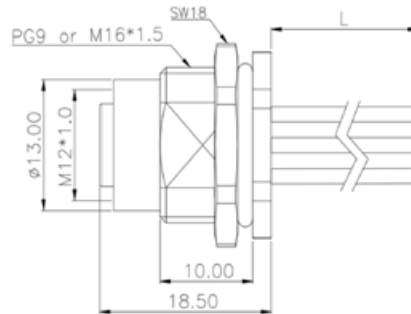
Certificates

No	Number of contacts	Fastening thread	Wire insulation	Ordering P/N
1	8	PG9	optional	AM12M0822AXXX-XXX
2	8	M16*1.5		AM12M0822AXXX-XXX

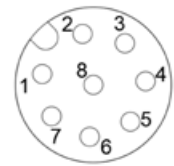
Product Description: M12 panel receptacle, rear mount, female, contacts: 8, solder connection for wires, A code, straight, IP67



Illustration



Drawings



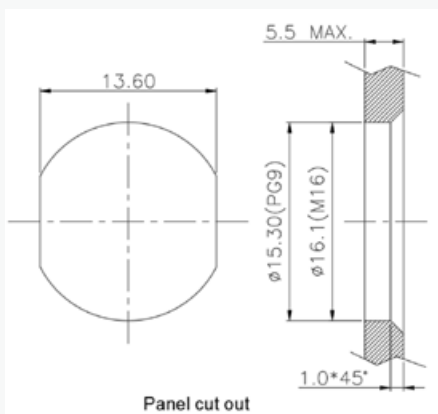
8 PIN

Pin assignment

Technical data

General		Electrical	
Standard	IEC61076-2-101	Rated current	2A
Locking system	Fix screw locking	Rated voltage	30V
Gender	Female	Rated Impulse voltage	800V
Series	AM12	Insulation resistance	$\geq 100 \text{ M}\Omega$
Coding	A	EMC compliance	/
Torque	2.0N.M	Degree of protection	IP67
Category	Device connector, rear mount	Mechanical operation	> 100 mating cycles
Connection type	Solder connection for wires	Operating temperature	-25°C ~ 85°C
Applicable wire	0.25mm ² / 24AWG		
Custom tariff number	85444290		
Country of origin	China		

Panel cut-out



Material

Flammability rating	Acc. to UL94V-0
Contact material	Brass with Gold plated
Insulation material	PA66
Jam nut material	Brass with Nickel plated
Sealing material	Silicone
Shell material	Brass with Nickel plated

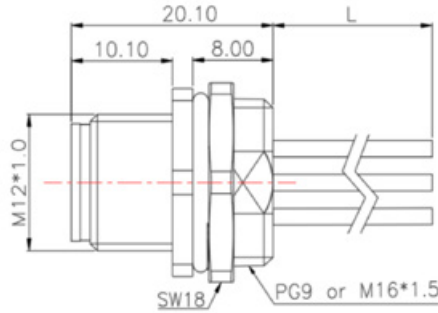
Certificates

No	Number of contacts	Fastening thread	Wire insulation	Ordering P/N
1	8	PG9	optional	AM12F0822AXXX-XXX
2	8	M16*1.5		AM12F0822AXXX-XXX

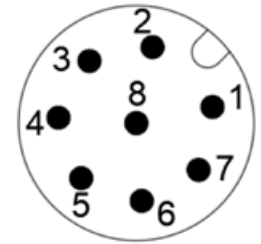
Product Description: M12 panel receptacle, front mount, male, contacts: 8, solder connection for wires , A code, straight, IP67



Illustration



Drawings



8 PIN

Pin assignment

Technical data

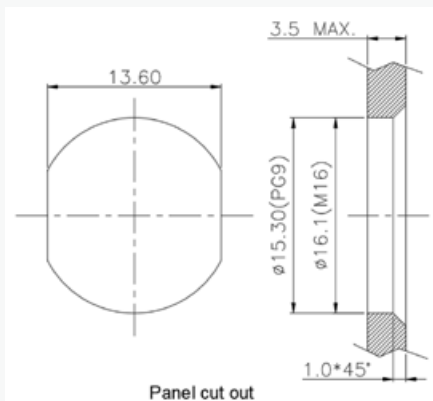
General

Standard	IEC61076-2-101
Locking system	Fix screw locking
Gender	Male
Series	AM12
Coding	A
Torque	2.0N.M
Category	Device connector, front mount
Connection type	Solder connection for wires
Applicable wire	0.25mm ² / 24AWG
Custom tariff number	85444290
Country of origin	China

Electrical

Rated current	2A
Rated voltage	30V
Rated Impulse voltage	800V
Insulation resistance	≥ 100 MΩ
EMC compliance	/
Degree of protection	IP67
Mechanical operation	> 100 mating cycles
Operating temperature	-25°C ~ 85°C

Panel cut-out



Material

Flammability rating	Acc. to UL94V-0
Contact material	Brass with Gold plated
Insulation material	PA66
Jam nut material	Brass with Nickel plated
Sealing material	Silicone
Shell material	Brass with Nickel plated

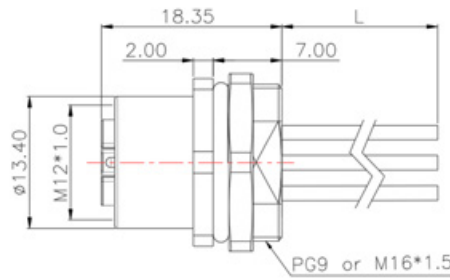
Certificates

No	Number of contacts	Fastening thread	Wire insulation	Ordering P/N
1	8	PG9	optional	AM12M0822AXXX-XXX
2	8	M16*1.5		AM12M0822AXXX-XXX

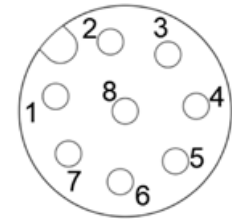
Product Description: M12 panel receptacle, front mount, female, contacts: 8, solder connection for wires, A code, straight, IP67



Illustration



Drawings



8 PIN

Pin assignment

Technical data

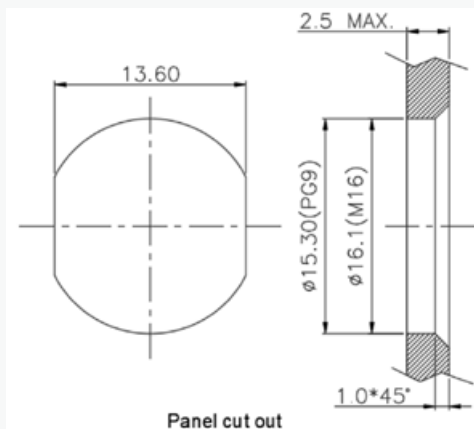
General

Standard	IEC61076-2-101
Locking system	Fix screw locking
Gender	Female
Series	AM12
Coding	A
Torque	2.0N.M
Category	Device connector, front mount
Connection type	Solder connection for wires
Applicable wire	0.25mm ² / 24AWG
Custom tariff number	85444290
Country of origin	China

Electrical

Rated current	2A
Rated voltage	30V
Rated Impulse voltage	800V
Insulation resistance	≥ 100 MΩ
EMC compliance	/
Degree of protection	IP67
Mechanical operation	> 100 mating cycles
Operating temperature	-25°C ~ 85°C

Panel cut-out



Material

Flammability rating	Acc. to UL94V-0
Contact material	Brass with Gold plated
Insulation material	PA66
Jam nut material	Brass with Nickel plated
Sealing material	Silicone
Shell material	Brass with Nickel plated

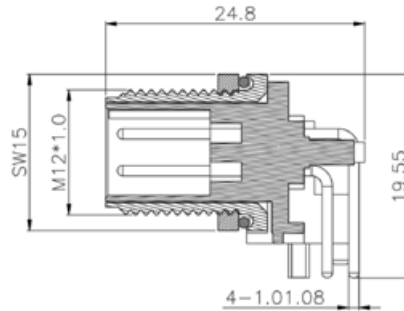
Certificates

No	Number of contacts	Fastening thread	Wire insulation	Ordering P/N
1	8	PG9	optional	AM12F0822AXXX-XXX
2	8	M16*1.5		AM12F0822AXXX-XXX

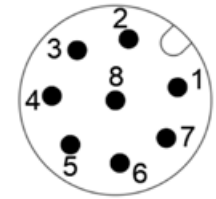
Product Description: M12 panel receptacle, rear mount, male, contacts: 8, PCB dip-solder connection, A code, right angled, IP67



Illustration



Drawings



8 PIN

Pin assignment

Technical data

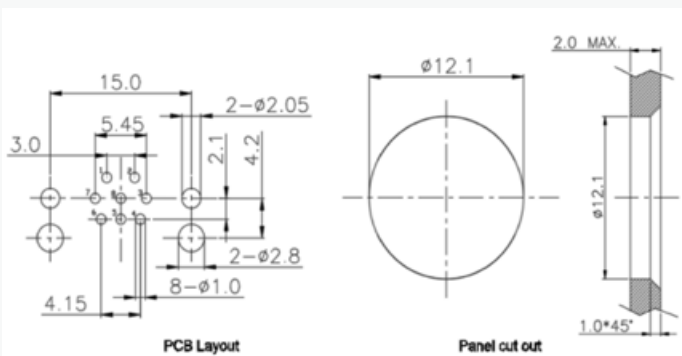
General

Standard	IEC61076-2-101
Locking system	Fix screw locking
Gender	Male
Series	AM12
Coding	A
Torque	2.0N.M
Category	Device connector, rear mount
Connection type	PCB dip-solder connection
Custom tariff number	85444290
Country of origin	China

Electrical

Rated current	2A
Rated voltage	30V
Rated Impulse voltage	800V
Insulation resistance	≥ 100 MΩ
EMC compliance	/
Degree of protection	IP67
Mechanical operation	> 100 mating cycles
Operating temperature	-25°C ~ 85°C

Panel cut-out



Material

Flammability rating	Acc. to UL94V-0
Contact material	Brass with Gold plated
Insulation material	PA66
Jam nut material	Brass with Nickel plated
Sealing material	Silicone
Shell material	Brass with Nickel plated

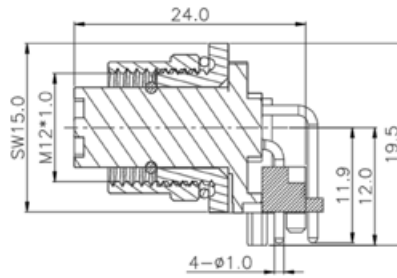
Certificates

No	Number of contacts	Fastening thread	Ordering P/N
1	8	M12*1.0	AM12M0822A005

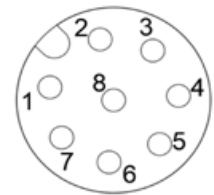
Product Description: M12 panel receptacle, rear mount, female, contacts: 8, PCB dip-solder connection, A code, right angled, IP67



Illustration



Drawings



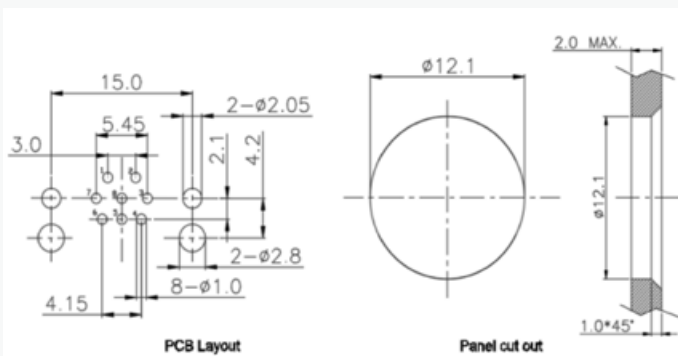
8 PIN

Pin assignment

Technical data

General		Electrical	
Standard	IEC61076-2-101	Rated current	2A
Locking system	Fix screw locking	Rated voltage	30V
Gender	Female	Rated Impulse voltage	800V
Series	AM12	Insulation resistance	≥ 100 MΩ
Coding	A	EMC compliance	/
Torque	2.0N.M	Degree of protection	IP67
Category	Device connector, rear mount	Mechanical operation	> 100 mating cycles
Connection type	PCB dip-solder connection	Operating temperature	-25°C ~ 85°C
Custom tariff number	85444290		
Country of origin	China		

Panel cut-out



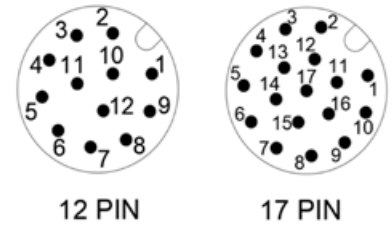
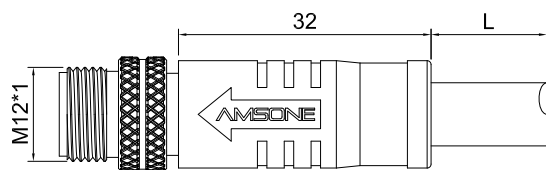
Material

Flammability rating	Acc. to UL94V-0
Contact material	Brass with Gold plated
Insulation material	PA66
Jam nut material	Brass with Nickel plated
Sealing material	Silicone
Shell material	Brass with Nickel plated

Certificates

No	Number of contacts	Fastening thread	Ordering P/N
1	8	M12*1.0	AM12F0822A005

Product Description: M12 pre-molded cable connector, male, contacts: 12, 17, solder connection, A code, straight, IP67



Illustration

Drawings

Pin assignment

Technical data

General

Standard	IEC61076-2-101
Locking system	Fix screw locking
Gender	Male
Series	AM12
Coding	A
Torque	0.4N.M
Category	Pre-molded cable
Connection type	Solder connection
Cable outlet	variable
Custom tariff number	85444290
Country of origin	China

Electrical

Rated current	1.5A
Rated voltage	30V
Rated Impulse voltage	800V
Insulation resistance	≥ 100 MΩ
EMC compliance	Optional
Degree of protection	IP67
Mechanical operation	> 100 mating cycles
Operating temperature	-25°C ~ 85°C

Cable

Cable type	UL Style
Conductor cross section	0.14mm ²
Wire gauge	26AWG
Jacket	PVC/TPU
Temperature	-25°C ~ 85°C
Other resistance	UV resistant (720 h) UL 2556 Premium oil resistance (jacket)
Wire colour	variable
Length	variable

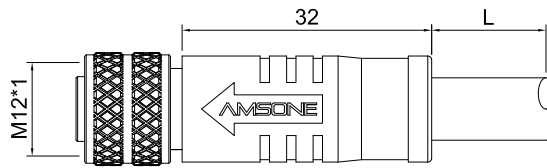
Material

Flammability rating	Acc. to UL94V-0
Contact material	Brass with Gold plated
Insulation material	PA66
Ring nut material	Brass with Nickel plated
Sealing material	Silicone
Molding material	PVC/TPU

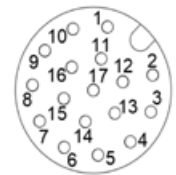
Certificates

No	Number of contacts	Cable specification and ending	EMC compliance	Ordering P/N
1	12	variable	optional	AM12M1211AXXX-XXX
2	17			AM12M1711AXXX-XXX

Product Description: M12 pre-molded cable connector, female, contacts: 12, 17, solder connection, A code, straight, IP67



12 PIN



17 PIN

Illustration

Drawings

Pin assignment

Technical data

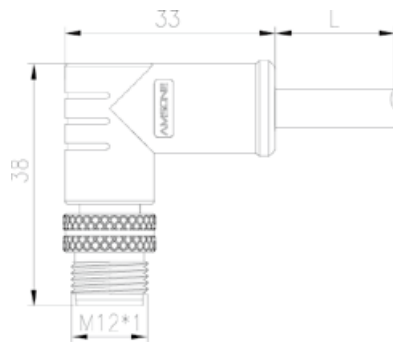
General Standard IEC61076-2-101 Locking system Fix screw locking Gender Female Series AM12 Coding A Torque 0.4N.M Category Pre-molded cable Connection type Solder connection Cable outlet variable Custom tariff number 85444290 Country of origin China		Electrical Rated current 1.5A Rated voltage 30V Rated Impulse voltage 800V Insulation resistance $\geq 100 M\Omega$ EMC compliance Optional Degree of protection IP67 Mechanical operation > 100 mating cycles Operating temperature $-25^{\circ}\text{C} \sim 85^{\circ}\text{C}$	
Cable Cable type UL Style Conductor cross section 0.14mm^2 Wire gauge 26AWG Jacket PVC/TPU Temperature $-25^{\circ}\text{C} \sim 85^{\circ}\text{C}$ Other resistance UV resistant (720 h) UL 2556 Premium oil resistance (jacket) Wire colour variable Length variable		Material Flammability rating Acc. to UL94V-0 Contact material Brass with Gold plated Insulation material PA66 Ring nut material Brass with Nickel plated Sealing material Silicone Molding material PVC/TPU Certificates	

No	Number of contacts	Cable specification and ending	EMC compliance	Ordering P/N
1	12	variable	optional	AM12F1211AXXX-XXX
2	17			AM12F1711AXXX-XXX

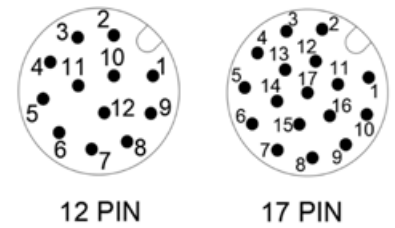
Product Description: M12 pre-molded cable connector, male, contacts:12,17, solder connection, A code, right angled, IP67



Illustration



Drawings



Pin assignment

Technical data

General

Standard	IEC61076-2-101
Locking system	Fix screw locking
Gender	Male
Series	AM12
Coding	A
Torque	0.4N.M
Category	Pre-molded cable
Connection type	Solder connection
Cable outlet	variable
Custom tariff number	85444290
Country of origin	China

Electrical

Rated current	1.5A
Rated voltage	30V
Rated Impulse voltage	800V
Insulation resistance	≥ 100 MΩ
EMC compliance	Optional
Degree of protection	IP67
Mechanical operation	> 100 mating cycles
Operating temperature	-25°C ~ 85°C

Cable

Cable type	UL Style
Conductor cross section	0.14mm ²
Wire gauge	26AWG
Jacket	PVC/TPU
Temperature	-25°C ~ 85°C
Other resistance	UV resistant (720 h) UL 2556 Premium oil resistance (jacket)
Wire colour	variable
Length	variable

Material

Flammability rating	Acc. to UL94V-0
Contact material	Brass with Gold plated
Insulation material	PA66
Ring nut material	Brass with Nickel plated
Sealing material	Silicone
Molding material	PVC/TPU

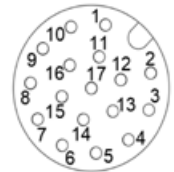
Certificates

No	Number of contacts	Cable specification and ending	EMC compliance	Ordering P/N
1	12	variable	optional	AM12M1211AXXX-XXX
2	17			AM12M1711AXXX-XXX

Product Description: M12 pre-molded cable connector, female, contacts:12,17, solder connection, A code, right angled, IP67



12 PIN



17 PIN

Illustration

Drawings

Pin assignment

Technical data

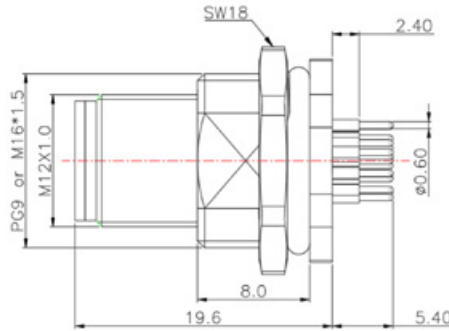
General Standard IEC61076-2-101 Locking system Fix screw locking Gender Female Series AM12 Coding A Torque 0.4N.M Category Pre-molded cable Connection type Solder connection Cable outlet variable Custom tariff number 85444290 Country of origin China		Electrical Rated current 1.5A Rated voltage 30V Rated Impulse voltage 800V Insulation resistance $\geq 100 M\Omega$ EMC compliance Optional Degree of protection IP67 Mechanical operation > 100 mating cycles Operating temperature $-25^{\circ}C \sim 85^{\circ}C$	
Cable Cable type UL Style Conductor cross section $0.14mm^2$ Wire gauge 26AWG Jacket PVC/TPU Temperature $-25^{\circ}C \sim 85^{\circ}C$ Other resistance UV resistant (720 h) UL 2556 Premium oil resistance (jacket) Wire colour variable Length variable		Material Flammability rating Acc. to UL94V-0 Contact material Brass with Gold plated Insulation material PA66 Ring nut material Brass with Nickel plated Sealing material Silicone Molding material PVC/TPU Certificates	

No	Number of contacts	Cable specification and ending	EMC compliance	Ordering P/N
1	12	variable	optional	AM12F1211AXXX-XXX
2	17			AM12F1711AXXX-XXX

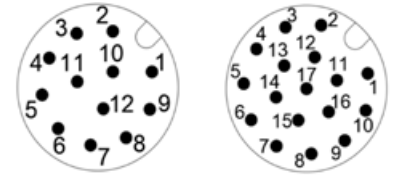
Product Description: M12 panel receptacle, rear mount, male, contacts:12,17,
pcb dip-solder connection for wires, A code, straight, IP67



Illustration



Drawings



12 PIN

17 PIN

Pin assignment

Technical data

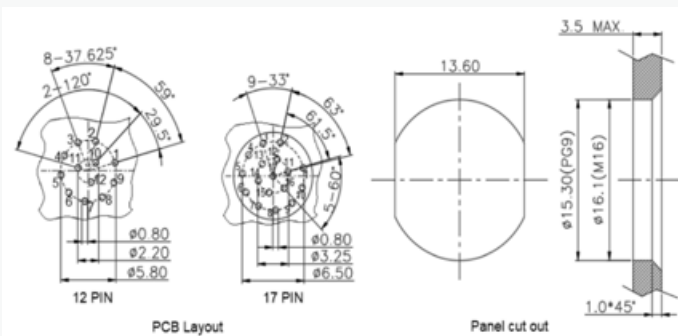
General

Standard	IEC61076-2-101
Locking system	Fix screw locking
Gender	Male
Series	AM12
Coding	A
Torque	2.0N.M
Category	Device connector, rear mount
Connection type	PCB dip-solder connection
Custom tariff number	85444290
Country of origin	China

Electrical

Rated current	1.5A
Rated voltage	30V
Rated Impulse voltage	800V
Insulation resistance	$\geq 100 \text{ M}\Omega$
EMC compliance	/
Degree of protection	IP67
Mechanical operation	> 100 mating cycles
Operating temperature	-25°C ~ 85°C

Panel cut-out



Material

Flammability rating	Acc. to UL94V-0
Contact material	Brass with Gold plated
Insulation material	PA66
Jam nut material	Brass with Nickel plated
Sealing material	Silicone
Shell material	Brass with Nickel plated

Certificates

No Number of contacts

Fastening thread

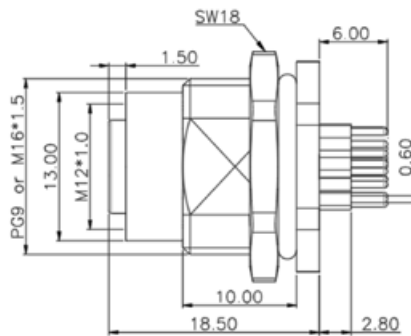
Ordering P/N

1	12	PG 9	AM12M1222A001
2	17		AM12M1722A001
3	12	M16 * 1.5	AM12M1222A002
4	17		AM12M1722A002

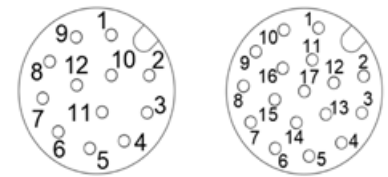
Product Description: M12 panel receptacle, rear mount, female, contacts:12,17, pcb dip-solder connection for wires, A code, straight, IP67



Illustration



Drawings



12 PIN

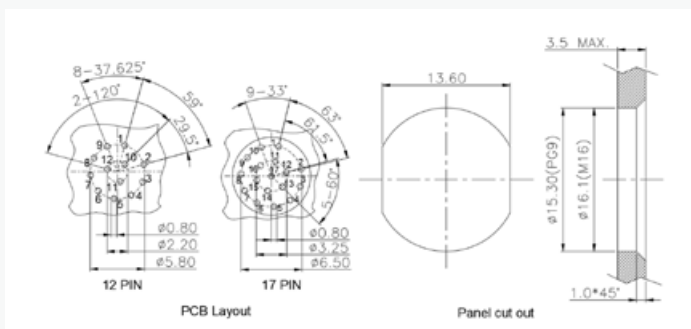
17 PIN

Pin assignment

Technical data

General		Electrical	
Standard	IEC61076-2-101	Rated current	1.5A
Locking system	Fix screw locking	Rated voltage	30V
Gender	Female	Rated Impulse voltage	800V
Series	AM12	Insulation resistance	≥ 100 MΩ
Coding	A	EMC compliance	/
Torque	2.0N.M	Degree of protection	IP67
Category	Device connector, rear mount	Mechanical operation	> 100 mating cycles
Connection type	PCB dip-solder connection	Operating temperature	-25°C ~ 85°C
Custom tariff number	85444290		
Country of origin	China		

Panel cut-out



Material

Flammability rating	Acc. to UL94V-0
Contact material	Brass with Gold plated
Insulation material	PA66
Jam nut material	Brass with Nickel plated
Sealing material	Silicone
Shell material	Brass with Nickel plated

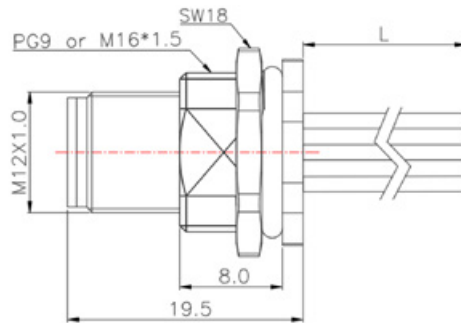
Certificates

No	Number of contacts	Fastening thread	Ordering P/N
1	12	PG 9	AM12F1222A001
2	17		AM12F1722A001
3	12	M16 * 1.5	AM12F1222A002
4	17		AM12F1722A002

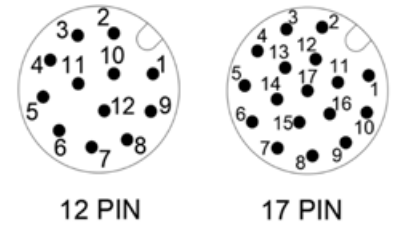
Product Description: M12 panel receptacle, rear mount, male, contacts:12,17, solder connection for wires,A code, straight, IP67



Illustration



Drawings



Pin assignment

Technical data

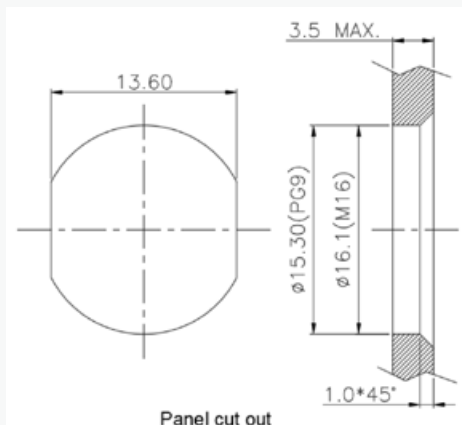
General

Standard	IEC61076-2-101
Locking system	Fix screw locking
Gender	Male
Series	AM12
Coding	A
Torque	2.0N.M
Category	Device connector, rear mount
Connection type	Solder connection for wires
Applicable wire	0.14mm ² / 26AWG
Custom tariff number	85444290
Country of origin	China

Electrical

Rated current	1.5A
Rated voltage	30V
Rated Impulse voltage	800V
Insulation resistance	≥ 100 MΩ
EMC compliance	/
Degree of protection	IP67
Mechanical operation	> 100 mating cycles
Operating temperature	-25°C ~ 85°C

Panel cut-out



Material

Flammability rating	Acc. to UL94V-0
Contact material	Brass with Gold plated
Insulation material	PA66
Jam nut material	Brass with Nickel plated
Sealing material	Silicone
Shell material	Brass with Nickel plated

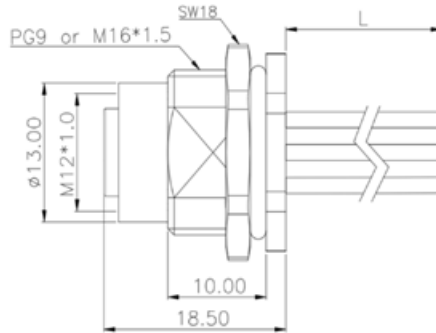
Certificates

No	Number of contacts	Fastening thread	Wire insulation	Ordering P/N
1	12	PG9 M16*1.5	optional	AM12M1222AXXX-XXX
2	17			AM12M1722AXXX-XXX
3	12			AM12M1222AXXX-XXX
4	17			AM12M1722AXXX-XXX

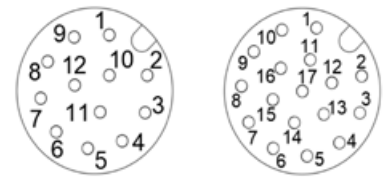
Product Description: M12 panel receptacle, rear mount, female, contacts:12,17, solder connection for wires, A code, straight, IP67



Illustration



Drawings



12 PIN

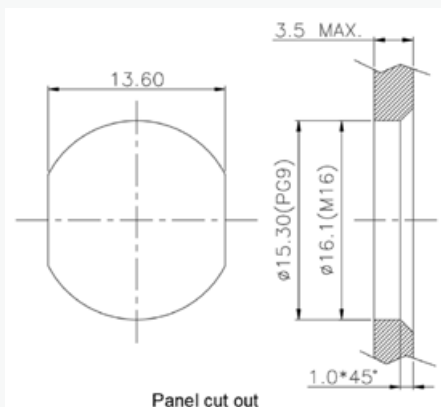
17 PIN

Pin assignment

Technical data

General		Electrical	
Standard	IEC61076-2-101	Rated current	1.5A
Locking system	Fix screw locking	Rated voltage	30V
Gender	Female	Rated Impulse voltage	800V
Series	AM12	Insulation resistance	≥ 100 MΩ
Coding	A	EMC compliance	/
Torque	2.0N.M	Degree of protection	IP67
Category	Device connector, rear mount	Mechanical operation	> 100 mating cycles
Connection type	Solder connection for wires	Operating temperature	-25°C ~ 85°C
Applicable wire	0.14mm ² / 26AWG		
Custom tariff number	85444290		
Country of origin	China		

Panel cut-out



Panel cut out

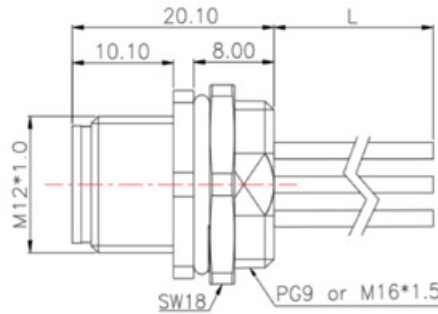
Material	
Flammability rating	Acc. to UL94V-0
Contact material	Brass with Gold plated
Insulation material	PA66
Jam nut material	Brass with Nickel plated
Sealing material	Silicone
Shell material	Brass with Nickel plated
Certificates	

No	Number of contacts	Fastening thread	Wire insulation	Ordering P/N
1	12	PG9	optional	AM12F1222AXXX-XXX
2	17			AM12F1722AXXX-XXX
3	12	M16*1.5		AM12F1222AXXX-XXX
4	17			AM12F1722AXXX-XXX

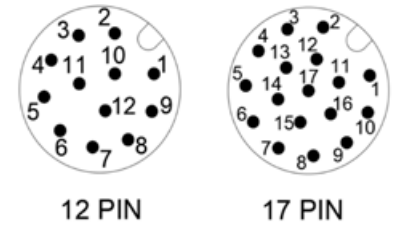
Product Description: M12 panel receptacle, front mount, male, contacts:12,17, solder connection for wires, A code, straight, IP67



Illustration



Drawings



Pin assignment

Technical data

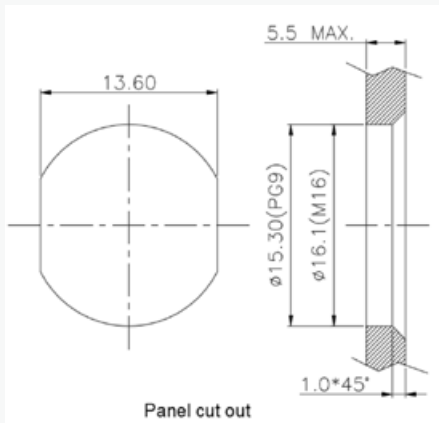
General

Standard	IEC61076-2-101
Locking system	Fix screw locking
Gender	Male
Series	AM12
Coding	A
Torque	2.0N.M
Category	Device connector, front mount
Connection type	Solder connection for wires
Applicable wire	0.14mm ² / 26AWG
Custom tariff number	85444290
Country of origin	China

Electrical

Rated current	1.5A
Rated voltage	30V
Rated Impulse voltage	800V
Insulation resistance	≥ 100 MΩ
EMC compliance	/
Degree of protection	IP67
Mechanical operation	> 100 mating cycles
Operating temperature	-25°C ~ 85°C

Panel cut-out



Material

Flammability rating	Acc. to UL94V-0
Contact material	Brass with Gold plated
Insulation material	PA66
Jam nut material	Brass with Nickel plated
Sealing material	Silicone
Shell material	Brass with Nickel plated

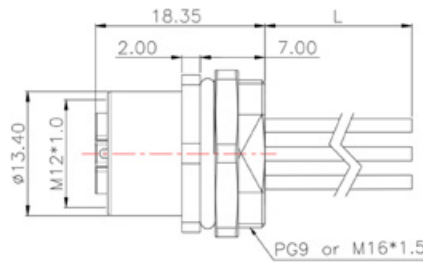
Certificates

No	Number of contacts	Fastening thread	Wire insulation	Ordering P/N
1	12	PG9 M16*1.5	optional	AM12M1222AXXX-XXX
2	17			AM12M1722AXXX-XXX
3	12			AM12M1222AXXX-XXX
4	17			AM12M1722AXXX-XXX

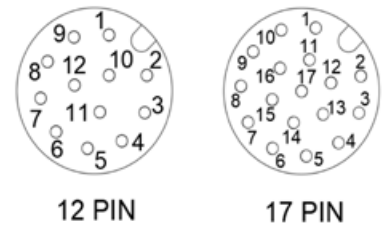
Product Description: M12 panel receptacle, front mount, female, contacts:12,17, solder connection for wires, A code, straight, IP67



Illustration



Drawings

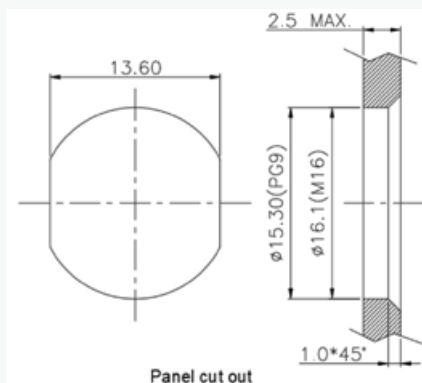


Pin assignment

Technical data

General		Electrical	
Standard	IEC61076-2-101	Rated current	1.5A
Locking system	Fix screw locking	Rated voltage	30V
Gender	Female	Rated Impulse voltage	800V
Series	AM12	Insulation resistance	≥ 100 MΩ
Coding	A	EMC compliance	/
Torque	2.0N.M	Degree of protection	IP67
Category	Device connector, front mount	Mechanical operation	> 100 mating cycles
Connection type	Solder connection for wires	Operating temperature	-25°C ~ 85°C
Applicable wire	0.14mm ² / 26AWG		
Custom tariff number	85444290		
Country of origin	China		

Panel cut-out

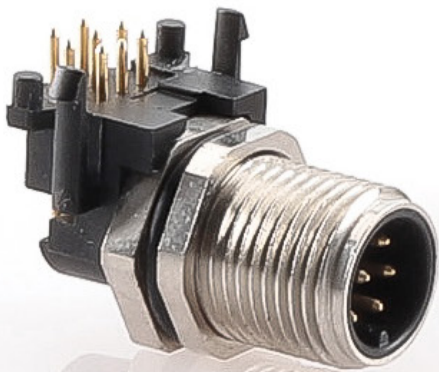


Material

Flammability rating	Acc. to UL94V-0
Contact material	Brass with Gold plated
Insulation material	PA66
Jam nut material	Brass with Nickel plated
Sealing material	Silicone
Shell material	Brass with Nickel plated

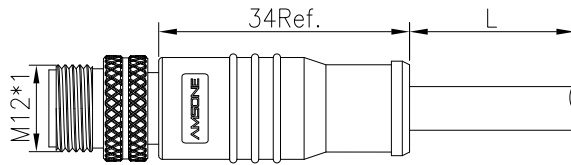
Certificates

No	Number of contacts	Fastening thread	Wire insulation	Ordering P/N
1	12	PG9 M16*1.5	optional	AM12F1222AXXX-XXX
2	17			AM12F1722AXXX-XXX
3	12	AM12F1222AXXX-XXX		
4	17	AM12F1722AXXX-XXX		





Product Description: M12 pre-molded cable connector, male, contacts:4, solder connection, B code, straight, IP67



Illustration

Drawings

Pin assignment

Technical data

General

Standard	IEC61076-2-101
Locking system	Fix screw locking
Gender	Male
Series	AM12
Coding	B
Torque	0.4N.M
Category	Pre-molded cable
Connection type	Solder connection
Cable outlet	variable
Custom tariff number	85444290
Country of origin	China

Electrical

Rated current	4A
Rated voltage	250V
Rated Impulse voltage	2500V
Insulation resistance	≥ 100 MΩ
EMC compliance	Optional
Degree of protection	IP67
Mechanical operation	> 100 mating cycles
Operating temperature	-25°C ~ 85°C

Cable

Cable type	UL Style
Conductor cross section	0.34mm ²
Wire gauge	22AWG
Jacket	PVC/TPU
Temperature	-25°C ~ 85°C
Other resistance	UV resistant (720 h) UL 2556 Premium oil resistance (jacket)
Wire colour	variable
Length	variable

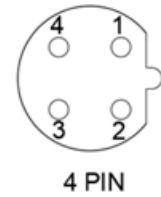
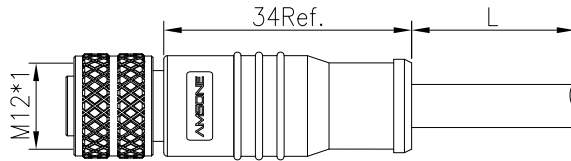
Material

Flammability rating	Acc. to UL94V-0
Contact material	Brass with Gold plated
Insulation material	PA66
Ring nut material	Brass with Nickel plated
Sealing material	Silicone
Molding material	PVC/TPU

Certificates

No	Number of contacts	Cable specification and ending	EMC compliance	Ordering P/N
1	4	variable	optional	AM12M0411BXXX-XXX

Product Description: M12 pre-molded cable connector, female, contacts:4, solder connection, B code, straight, IP67



Illustration

Drawings

Pin assignment

Technical data

General

Standard	IEC61076-2-101
Locking system	Fix screw locking
Gender	Female
Series	AM12
Coding	B
Torque	0.4N.M
Category	Pre-molded cable
Connection type	Solder connection
Cable outlet	variable
Custom tariff number	85444290
Country of origin	China

Electrical

Rated current	4A
Rated voltage	250V
Rated impulse voltage	2500V
Insulation resistance	≥ 100 MΩ
EMC compliance	Optional
Degree of protection	IP67
Mechanical operation	> 100 mating cycles
Operating temperature	-25°C ~ 85°C

Cable

Cable type	UL Style
Conductor cross section	0.34mm ²
Wire gauge	22AWG
Jacket	PVC/TPU
Temperature	-25°C ~ 85°C
Other resistance	UV resistant (720 h) UL 2556 Premium oil resistance (jacket)
Wire colour	variable
Length	variable

Material

Flammability rating	Acc. to UL94V-0
Contact material	Brass with Gold plated
Insulation material	PA66
Ring nut material	Brass with Nickel plated
Sealing material	Silicone
Molding material	PVC/TPU

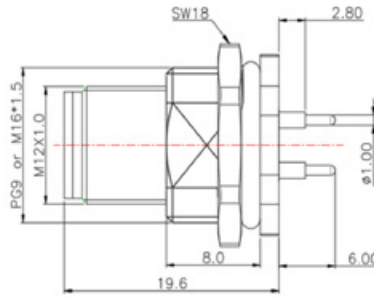
Certificates

No	Number of contacts	Cable specification and ending	EMC compliance	Ordering P/N
1	4	variable	optional	AM12F0411BXXX-XXX

Product Description: M12 panel receptacle, rear mount, male, contacts:4, PCB dip-solder connection, B code, straight, IP67



Illustration



Drawings

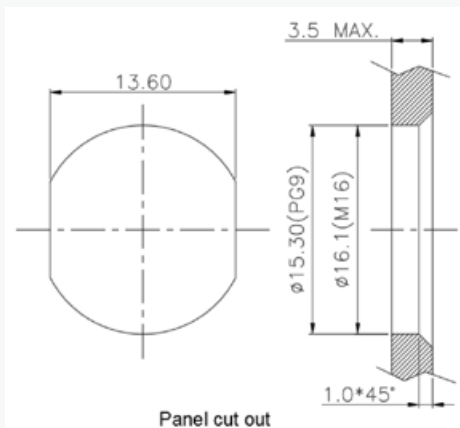


Pin assignment

Technical data

General		Electrical	
Standard	IEC61076-2-101	Rated current	4A
Locking system	Fix screw locking	Rated voltage	250V
Gender	Male	Rated Impulse voltage	2500V
Series	AM12	Insulation resistance	≥ 100 MΩ
Coding	B	EMC compliance	/
Torque	2.0N.M	Degree of protection	IP67
Category	Device connector, rear mount	Mechanical operation	> 100 mating cycles
Connection type	PCB dip-solder connection	Operating temperature	-25°C ~ 85°C
Custom tariff number	85444290		
Country of origin	China		

Panel cut-out



Material

Flammability rating	Acc. to UL94V-0
Contact material	Brass with Gold plated
Insulation material	PA66
Jam nut material	Brass with Nickel plated
Sealing material	Silicone
Shell material	Brass with Nickel plated

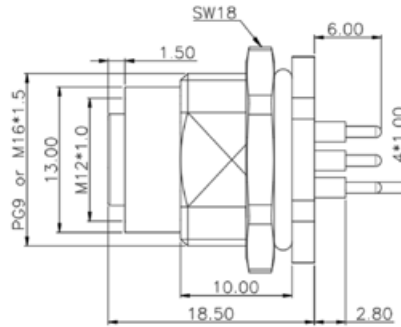
Certificates

No	Number of contacts	Fastening thread	Ordering P/N
1	4	PG 9	AM12M0422B001
2	4	M16*1.5	AM12M0422B002

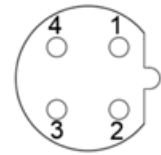
Product Description: M12 panel receptacle, rear mount, female, contacts:4, PCB dip-solder connection, B code, straight, IP67



Illustration



Drawings



4 PIN

Pin assignment

Technical data

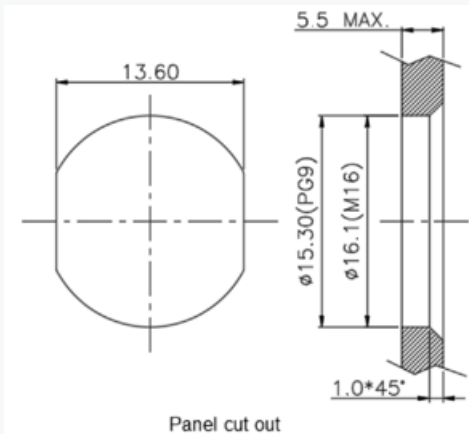
General

Standard	IEC61076-2-101
Locking system	Fix screw locking
Gender	Female
Series	AM12
Coding	B
Torque	2.0N.M
Category	Device connector, rear mount
Connection type	PCB dip-solder connection
Custom tariff number	85444290
Country of origin	China

Electrical

Rated current	4A
Rated voltage	250V
Rated Impulse voltage	2500V
Insulation resistance	≥ 100 MΩ
EMC compliance	/
Degree of protection	IP67
Mechanical operation	> 100 mating cycles
Operating temperature	-25°C ~ 85°C

Panel cut-out



Panel cut out

Material

Flammability rating	Acc. to UL94V-0
Contact material	Brass with Gold plated
Insulation material	PA66
Jam nut material	Brass with Nickel plated
Sealing material	Silicone
Shell material	Brass with Nickel plated

Certificates

No Number of contacts

Fastening thread

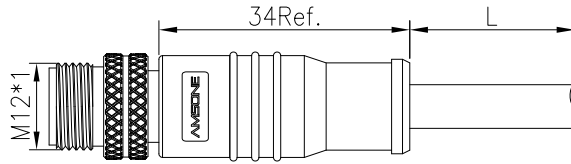
Ordering P/N

1	4	PG9	AM12F0422B001
2	4	M16*1.5	AM12F0422B002

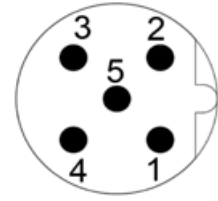
Product Description: M12 pre-molded cable connector, male, contacts:5, solder connection, B code, straight, IP67



Illustration



Drawings



5 PIN

Pin assignment

Technical data

General

Standard	IEC61076-2-101
Locking system	Fix screw locking
Gender	Male
Series	AM12
Coding	B
Torque	0.4N.M
Category	Pre-molded cable
Connection type	Solder connection
Cable outlet	variable
Custom tariff number	85444290
Country of origin	China

Electrical

Rated current	4A
Rated voltage	60V
Rated Impulse voltage	1500V
Insulation resistance	≥ 100 MΩ
EMC compliance	Optional
Degree of protection	IP67
Mechanical operation	> 100 mating cycles
Operating temperature	-25°C ~ 85°C

Cable

Cable type	UL Style
Conductor cross section	0.34mm ²
Wire gauge	22AWG
Jacket	PVC/TPU
Temperature	-25°C ~ 85°C
Other resistance	UV resistant (720 h) UL 2556 Premium oil resistance (jacket)
Wire colour	variable
Length	variable

Material

Flammability rating	Acc. to UL94V-0
Contact material	Brass with Gold plated
Insulation material	PA66
Ring nut material	Brass with Nickel plated
Sealing material	Silicone
Molding material	PVC/TPU

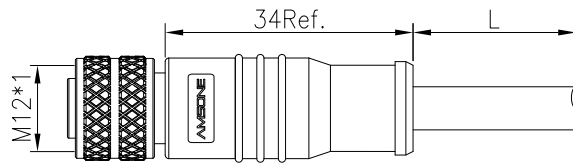
Certificates

No	Number of contacts	Cable specification and ending	EMC compliance	Ordering P/N
1	5	variable	optional	AM12M0511BXXX1-XXX

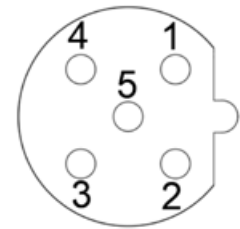
Product Description: M12 pre-molded cable connector, female, contacts:5, solder connection, B code, straight, IP67



Illustration



Drawings



5 PIN

Pin assignment

Technical data

General

Standard	IEC61076-2-101
Locking system	Fix screw locking
Gender	Female
Series	AM12
Coding	B
Torque	0.4N.M
Category	Pre-molded cable
Connection type	Solder connection
Cable outlet	variable
Custom tariff number	85444290
Country of origin	China

Electrical

Rated current	4A
Rated voltage	60V
Rated Impulse voltage	1500V
Insulation resistance	≥ 100 MΩ
EMC compliance	Optional
Degree of protection	IP67
Mechanical operation	> 100 mating cycles
Operating temperature	-25°C ~ 85°C

Cable

Cable type	UL Style
Conductor cross section	0.34mm ²
Wire gauge	22AWG
Jacket	PVC/TPU
Temperature	-25°C ~ 85°C
Other resistance	UV resistant (720 h) UL 2556 Premium oil resistance (jacket)
Wire colour	variable
Length	variable

Material

Flammability rating	Acc. to UL94V-0
Contact material	Brass with Gold plated
Insulation material	PA66
Ring nut material	Brass with Nickel plated
Sealing material	Silicone
Molding material	PVC/TPU

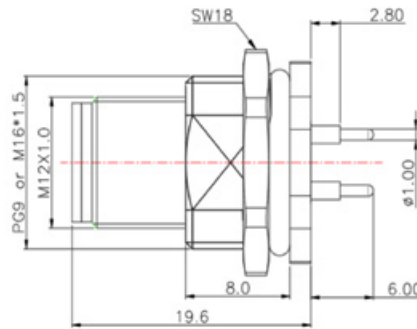
Certificates

No	Number of contacts	Cable specification and ending	EMC compliance	Ordering P/N
1	5	variable	optional	AM12F0511BXXX-XXX

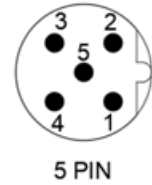
Product Description: M12 panel receptacle, rear mount, male, contacts:5, solder connection, B code, straight, IP67



Illustration



Drawings



Pin assignment

Technical data

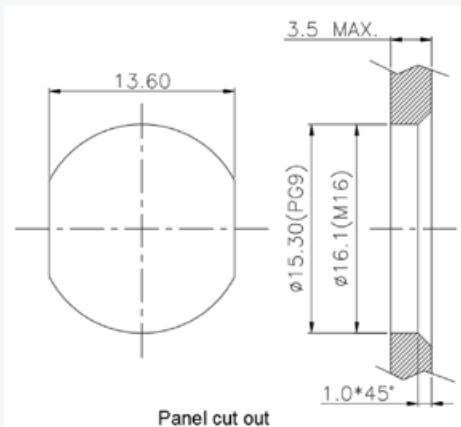
General

Standard	IEC61076-2-101
Locking system	Fix screw locking
Gender	Male
Series	AM12
Coding	B
Torque	2.0N.M
Category	Device connector, rear mount
Connection type	PCB dip-solder connection
Custom tariff number	85444290
Country of origin	China

Electrical

Rated current	4A
Rated voltage	60V
Rated Impulse voltage	1500V
Insulation resistance	≥ 100 MΩ
EMC compliance	/
Degree of protection	IP67
Mechanical operation	> 100 mating cycles
Operating temperature	-25°C ~ 85°C

Panel cut-out



Material

Flammability rating	Acc. to UL94V-0
Contact material	Brass with Gold plated
Insulation material	PA66
Jam nut material	Brass with Nickel plated
Sealing material	Silicone
Shell material	Brass with Nickel plated

Certificates

No Number of contacts

Fastening thread

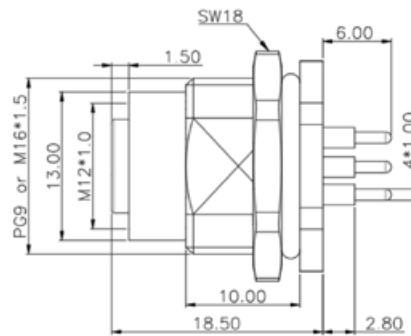
Ordering P/N

1	5	PG 9	AM12M0522B001
2	5	M16*1.5	AM12M0522B002

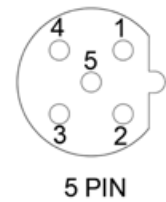
Product Description: M12 panel receptacle, rear mount, female, contacts:5, solder connection, B code, straight, IP67



Illustration



Drawings



Pin assignment

Technical data

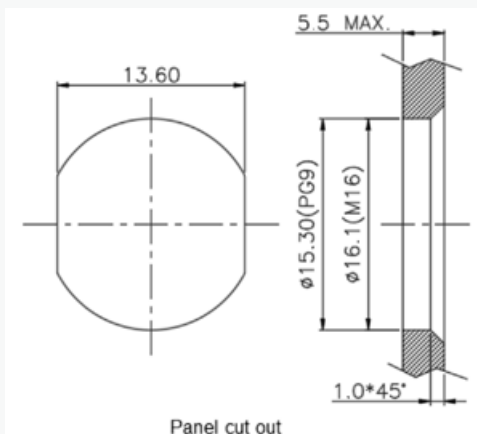
General

Standard	IEC61076-2-101
Locking system	Fix screw locking
Gender	Female
Series	AM12
Coding	B
Torque	2.0N.M
Category	Device connector, rear mount
Connection type	PCB dip-solder connection
Custom tariff number	85444290
Country of origin	China

Electrical

Rated current	4A
Rated voltage	60V
Rated Impulse voltage	1500V
Insulation resistance	≥ 100 MΩ
EMC compliance	/
Degree of protection	IP67
Mechanical operation	> 100 mating cycles
Operating temperature	-25°C ~ 85°C

Panel cut-out



Material

Flammability rating	Acc. to UL94V-0
Contact material	Brass with Gold plated
Insulation material	PA66
Jam nut material	Brass with Nickel plated
Sealing material	Silicone
Shell material	Brass with Nickel plated

Certificates

No Number of contacts

Fastening thread

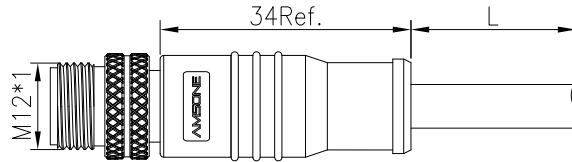
Ordering P/N

1	5	PG9	AM12F0522B001
2	5	M16*1.5	AM12F0522B002

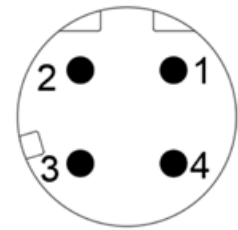
Product Description: M12 pre-molded cable connector, male, contacts:4, solder connection, D code, straight, IP67



Illustration



Drawings



4 PIN

Pin assignment

Technical data

General

Standard	IEC61076-2-101
Locking system	Fix screw locking
Gender	Male
Series	AM12
Coding	D
Torque	0.4N.M
Category	Pre-molded cable
Connection type	Solder connection
Cable outlet	variable
Custom tariff number	85444290
Country of origin	China

Electrical

Rated current	4A
Rated voltage	250V
Rated Impulse voltage	2500V
Insulation resistance	≥ 100 MΩ
EMC compliance	Optional
Degree of protection	IP67
Mechanical operation	> 100 mating cycles
Operating temperature	-25°C ~ 85°C

Cable

Cable type	UL Style
Conductor cross section	0.34mm ²
Wire gauge	22AWG
Jacket	PVC/TPU
Temperature	-25°C ~ 85°C
Other resistance	UV resistant (720 h) UL 2556 Premium oil resistance (jacket)
Wire colour	variable
Length	variable

Material

Flammability rating	Acc. to UL94V-0
Contact material	Brass with Gold plated
Insulation material	PA66
Ring nut material	Brass with Nickel plated
Sealing material	Silicone
Molding material	PVC/TPU

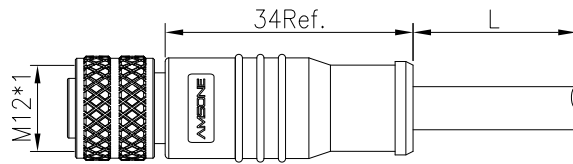
Certificates

No	Number of contacts	Cable specification and ending	EMC compliance	Ordering P/N
1	4	variable	optional	AM12M0411DXXX-XXX

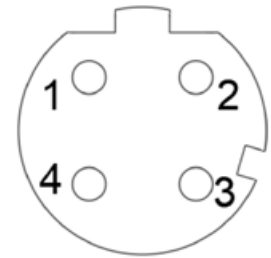
Product Description: M12 pre-molded cable connector, female, contacts:4, solder connection, D code, straight, IP67



Illustration



Drawings



4 PIN

Pin assignment

Technical data

General

Standard	IEC61076-2-101
Locking system	Fix screw locking
Gender	Female
Series	AM12
Coding	D
Torque	0.4N.M
Category	Pre-molded cable
Connection type	Solder connection
Cable outlet	variable
Custom tariff number	85444290
Country of origin	China

Electrical

Rated current	4A
Rated voltage	250V
Rated Impulse voltage	2500V
Insulation resistance	≥ 100 MΩ
EMC compliance	Optional
Degree of protection	IP67
Mechanical operation	> 100 mating cycles
Operating temperature	-25°C ~ 85°C

Cable

Cable type	UL Style
Conductor cross section	0.34mm ²
Wire gauge	22AWG
Jacket	PVC/TPU
Temperature	-25°C ~ 85°C
Other resistance	UV resistant (720 h) UL 2556 Premium oil resistance (jacket)
Wire colour	variable
Length	variable

Material

Flammability rating	Acc. to UL94V-0
Contact material	Brass with Gold plated
Insulation material	PA66
Ring nut material	Brass with Nickel plated
Sealing material	Silicone
Molding material	PVC/TPU

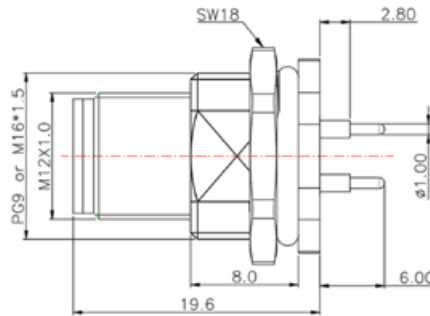
Certificates

No	Number of contacts	Cable specification and ending	EMC compliance	Ordering P/N
1	4	variable	optional	AM12F0411DXXX-XXX

Product Description: M12 panel receptacle, rear mount, male, contacts:4, PCB dip-solder connection, D code, straight, IP67



Illustration



Drawings



4 PIN

Pin assignment

Technical data

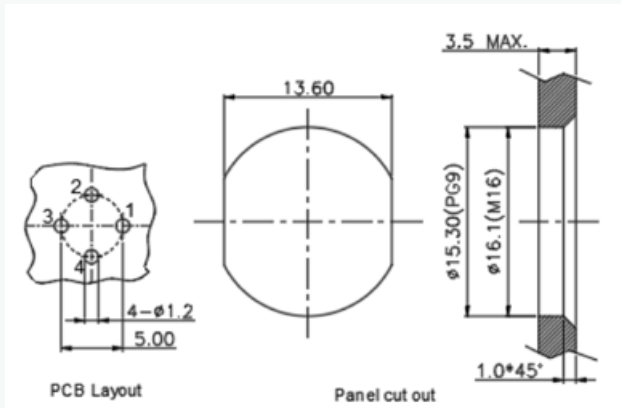
General

Standard	IEC61076-2-101
Locking system	Fix screw locking
Gender	Male
Series	AM12
Coding	D
Torque	2.0N.M
Category	Device connector, rear mount
Connection type	PCB dip-solder connector
Custom tariff number	85444290
Country of origin	China

Electrical

Rated current	4A
Rated voltage	250V
Rated Impulse voltage	2500V
Insulation resistance	$\geq 100 \text{ M}\Omega$
EMC compliance	/
Degree of protection	IP67
Mechanical operation	> 100 mating cycles
Operating temperature	-25°C ~ 85°C

Panel cut-out



Material

Flammability rating	Acc. to UL94V-0
Contact material	Brass with Gold plated
Insulation material	PA66
Jam nut material	Brass with Nickel plated
Sealing material	Silicone
Shell material	Brass with Nickel plated

Certificates

No Number of contacts

Fastening thread

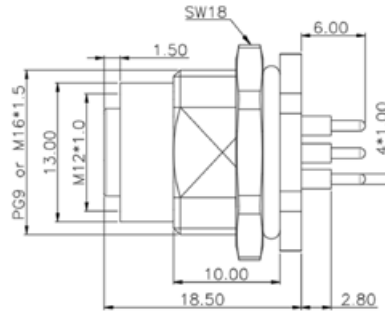
Ordering P/N

1	4	PG 9	AM12M0422D001
2	4	M16*1.5	AM12M0422D002

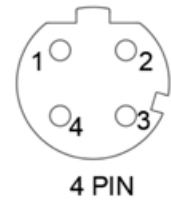
Product Description: M12 panel receptacle, rear mount, female, contacts:4, PCB dip-solder connection, D code, straight, IP67



Illustration



Drawings



Pin assignment

Technical data

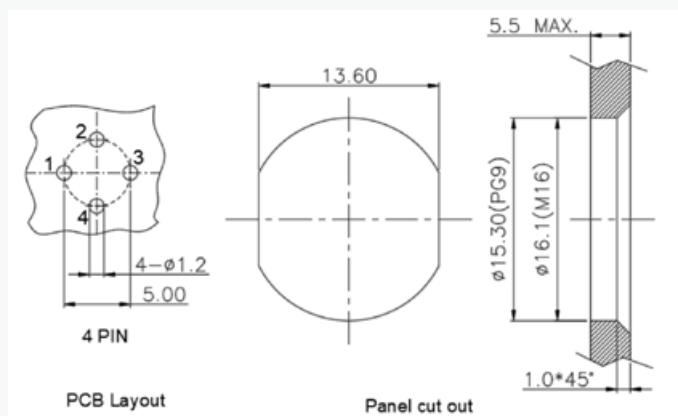
General

Standard	IEC61076-2-101
Locking system	Fix screw locking
Gender	Female
Series	AM12
Coding	D
Torque	2.0N.M
Category	Device connector, rear mount
Connection type	PCB dip-solder connector
Custom tariff number	85444290
Country of origin	China

Electrical

Rated current	4A
Rated voltage	250V
Rated Impulse voltage	2500V
Insulation resistance	≥ 100 MΩ
EMC compliance	/
Degree of protection	IP67
Mechanical operation	> 100 mating cycles
Operating temperature	-25°C ~ 85°C

Panel cut-out



Material

Flammability rating	Acc. to UL94V-0
Contact material	Brass with Gold plated
Insulation material	PA66
Jam nut material	Brass with Nickel plated
Sealing material	Silicone
Shell material	Brass with Nickel plated

Certificates

No Number of contacts

Fastening thread

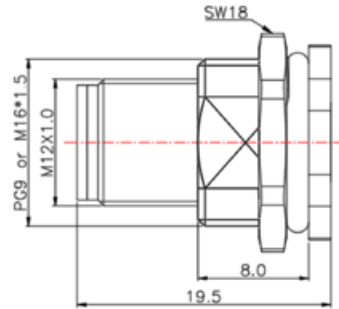
Ordering P/N

1	4	PG9	AM12F0422D001
2	4	M16*1.5	AM12F0422D002

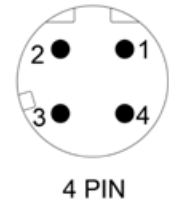
Product Description: M12 panel receptacle, rear mount, male, contacts:4, solder connection for wires, D code, straight, IP67



Illustration



Drawings

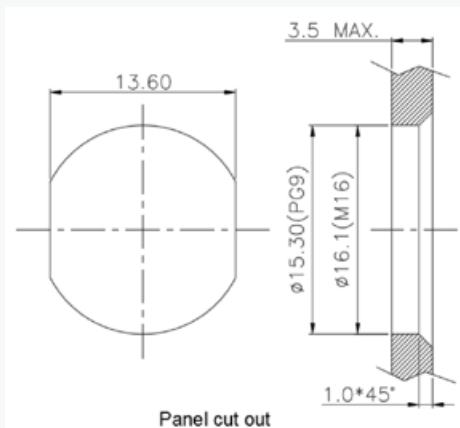


Pin assignment

Technical data

General		Electrical	
Standard	IEC61076-2-101	Rated current	4A
Locking system	Fix screw locking	Rated voltage	250V
Gender	Male	Rated Impulse voltage	2500V
Series	AM12	Insulation resistance	≥ 100 MΩ
Coding	D	EMC compliance	/
Torque	2.0N.M	Degree of protection	IP67
Category	Device connector, rear mount	Mechanical operation	> 100 mating cycles
Connection type	Solder connection for wires	Operating temperature	-25°C ~ 85°C
Applicable wire	0.34mm ² / 22AWG		
Custom tariff number	85444290		
Country of origin	China		

Panel cut-out



Material

Flammability rating	Acc. to UL94V-0
Contact material	Brass with Gold plated
Insulation material	PA66
Jam nut material	Brass with Nickel plated
Sealing material	Silicone
Shell material	Brass with Nickel plated

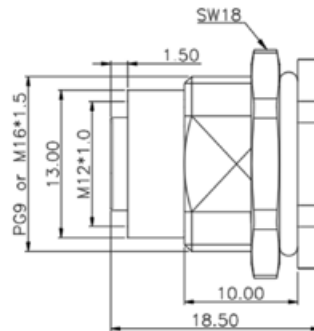
Certificates

No	Number of contacts	Fastening thread	Ordering P/N
1	4	PG9	AM12M0422D009
2	4	M16*1.5	AM12M0422D010

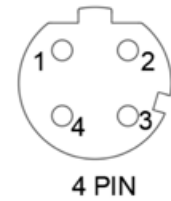
Product Description: M12 panel receptacle, rear mount, female, contacts:4, solder connection for wires, D code, straight, IP67



Illustration



Drawings



Pin assignment

Technical data

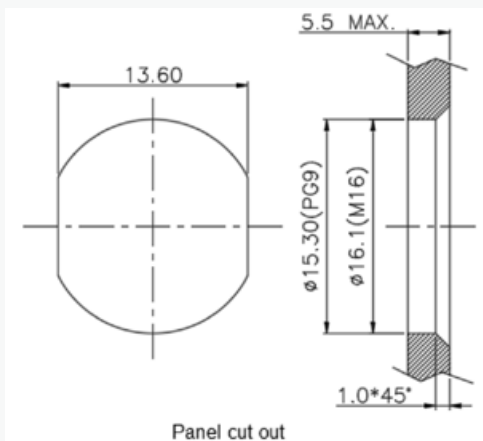
General

Standard	IEC61076-2-101
Locking system	Fix screw locking
Gender	Female
Series	AM12
Coding	D
Torque	2.0N.M
Category	Device connector, rear mount
Connection type	Solder connection for wires
Applicable wire	0.34mm ² / 22AWG
Custom tariff number	85444290
Country of origin	China

Electrical

Rated current	4A
Rated voltage	250V
Rated Impulse voltage	2500V
Insulation resistance	≥ 100 MΩ
EMC compliance	/
Degree of protection	IP67
Mechanical operation	> 100 mating cycles
Operating temperature	-25°C ~ 85°C

Panel cut-out



Material

Flammability rating	Acc. to UL94V-0
Contact material	Brass with Gold plated
Insulation material	PA66
Jam nut material	Brass with Nickel plated
Sealing material	Silicone
Shell material	Brass with Nickel plated

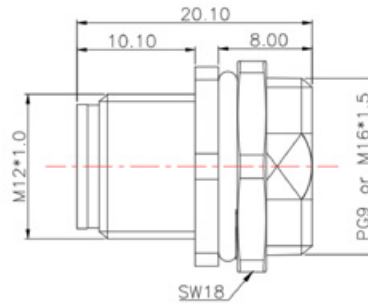
Certificates

No	Number of contacts	Fastening thread	Ordering P/N
1	4	PG9	AM12F0422D006
2	4	M16*1.5	AM12F0422D007

Product Description: M12 panel receptacle, front mount, male, contacts:4, solder connection for wires, D code, straight, IP67



Illustration



Drawings



Pin assignment

Technical data

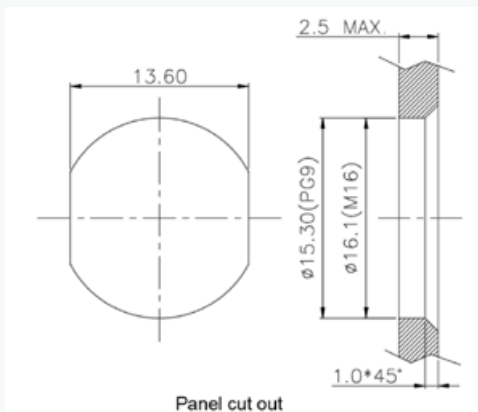
General

Standard	IEC61076-2-101
Locking system	Fix screw locking
Gender	Male
Series	AM12
Coding	D
Torque	2.0N.M
Category	Device connector, front mount
Connection type	Solder connection for wires
Applicable wire	0.34mm ² / 22AWG
Custom tariff number	85444290
Country of origin	China

Electrical

Rated current	4A
Rated voltage	250V
Rated Impulse voltage	2500V
Insulation resistance	≥ 100 MΩ
EMC compliance	/
Degree of protection	IP67
Mechanical operation	> 100 mating cycles
Operating temperature	-25°C ~ 85°C

Panel cut-out



Material

Flammability rating	Acc. to UL94V-0
Contact material	Brass with Gold plated
Insulation material	PA66
Jam nut material	Brass with Nickel plated
Sealing material	Silicone
Shell material	Brass with Nickel plated

Certificates

No Number of contacts

Fastening thread

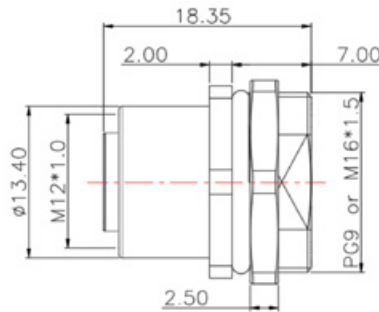
Ordering P/N

1	4	PG 9	AM12M0422D012
2	4	M16*1.5	AM12M0422D013

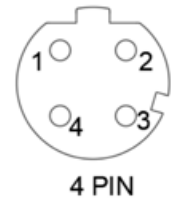
Product Description: M12 panel receptacle, front mount, female, contacts:4, solder connection for wires, D code, straight, IP67



Illustration



Drawings



Pin assignment

Technical data

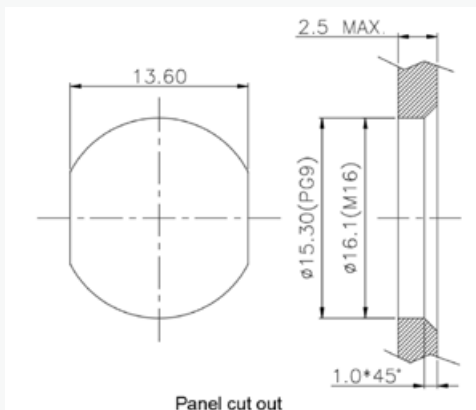
General

Standard	IEC61076-2-101
Locking system	Fix screw locking
Gender	Female
Series	AM12
Coding	D
Torque	2.0N.M
Category	Device connector, front mount
Connection type	Solder connection for wires
Applicable wire	0.34mm ² / 22AWG
Custom tariff number	85444290
Country of origin	China

Electrical

Rated current	4A
Rated voltage	250V
Rated impulse voltage	2500V
Insulation resistance	≥ 100 MΩ
EMC compliance	/
Degree of protection	IP67
Mechanical operation	> 100 mating cycles
Operating temperature	-25°C ~ 85°C

Panel cut-out



Material

Flammability rating	Acc. to UL94V-0
Contact material	Brass with Gold plated
Insulation material	PA66
Jam nut material	Brass with Nickel plated
Sealing material	Silicone
Shell material	Brass with Nickel plated

Certificates

No Number of contacts

Fastening thread

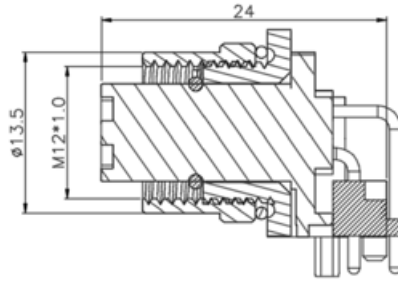
Ordering P/N

1	4	PG 9	AM12F0422D004
2	4	M16*1.5	AM12F0422D007

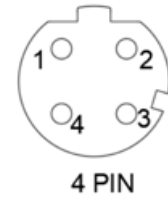
Product Description: M12 panel receptacle, rear mount, female, contacts:4, PCB dip-solder connection, D code, right angled, IP67



Illustration



Drawings



Pin assignment

Technical data

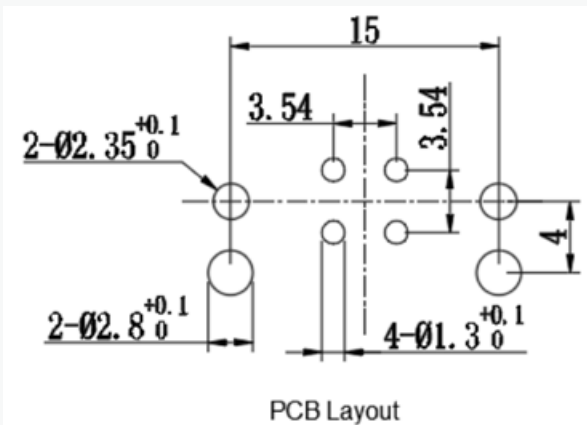
General

Standard	IEC61076-2-101
Locking system	Fix screw locking
Gender	Female
Series	AM12
Coding	D
Torque	2.0N.M
Category	Device connector, rear mount
Connection type	PCB dip-solder connector
Custom tariff number	85444290
Country of origin	China

Electrical

Rated current	4A
Rated voltage	250V
Rated Impulse voltage	2500V
Insulation resistance	≥ 100 MΩ
EMC compliance	/
Degree of protection	IP67
Mechanical operation	> 100 mating cycles
Operating temperature	-25°C ~ 85°C

Panel cut-out



Material

Flammability rating	Acc. to UL94V-0
Contact material	Brass with Gold plated
Insulation material	PA66
Jam nut material	Brass with Nickel plated
Sealing material	Silicone
Shell material	Brass with Nickel plated

Certificates

No Number of contacts

1 4

Fastening thread

M12*1.0

Ordering P/N

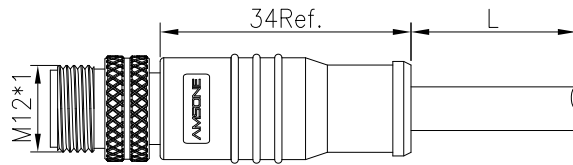
AM12F0422D005



Product Description: M12 pre-molded cable connector, male, contacts:8, solder connection, X code, straight, IP67



Illustration



Drawings



Pin assignment

Technical data

General

Standard	IEC61076-2-109
Locking system	Fix screw locking
Gender	Male
Series	AM12
Coding	X
Torque	0.4N.M
Catogory	Pre-molded cable
Connection type	Solder connection
Cable outlet	variable
Custom tariff number	85444290
Country of origin	China

Electrical

Rated current	0.5A
Rated voltage	60V
Rated Impulse voltage	800V
Insulation resistance	≥ 100 MΩ
EMC compliance	Shielded
Degree of protection	IP67
Mechanical operation	> 100 mating cycles
Operating temperature	-25°C ~ 85°C

Cable

Cable type	UL Style
Conductor cross section	0.14mm ²
Wire gauge	26AWG
Jacket	PVC/TPU
Temprature	-25°C ~ 85°C
Other resistance	UV resistant (720 h) UL 2556 Premium oil resistance (jacket)
Wire colour	variable
Length	variable

Material

Flammability rating	Acc. to UL94V-0
Contact material	Brass with Gold plated
Insulation material	PA66
Ring nut material	Brass with Nickel plated
Sealing material	Silicone
Molding material	PVC/TPU

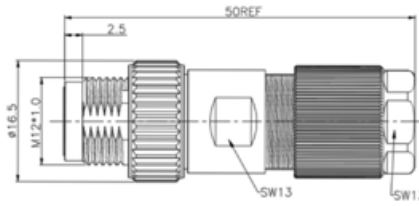
Certificates

No	Number of contacts	Cable specification and ending	EMC compliance	Ordering P/N
1	8	variable	optional	AM12M0811XXXX-XXX

Product Description: M12 pre-molded cable connector, male, contacts:8, solder connection, X code, 360° EMC shieldable, straight, IP67



Illustration



Drawings



Pin assignment

Technical data

General

Standard	IEC61076-2-109
Locking system	Fix screw locking
Gender	Male
Series	AM12
Coding	X
Torque	0.4N.M
Category	Field assembly
Connection type	Screws connection
Cable outlet	variable
Custom tariff number	85444290
Country of origin	China

Electrical

Rated current	0.5A
Rated voltage	60V
Rated Impulse voltage	800V
Insulation resistance	≥ 100 MΩ
EMC compliance	Shielded
Degree of protection	IP67
Mechanical operation	> 100 mating cycles
Operating temperature	-25°C ~ 85°C

Cable

Cable type	UL Style
Conductor cross section	0.14mm ²
Wire gauge	26AWG
Jacket	PVC/TPU
Temperature	-25°C ~ 85°C
Other resistance	UV resistant (720 h) UL 2556 Premium oil resistance (jacket)
Wire colour	variable
Length	variable

Material

Flammability rating	Acc. to UL94V-0
Contact material	Brass with Gold plated
Insulation material	PA66
Ring nut material	Brass with Nickel plated
Sealing material	Silicone
Shell material	Brass with Nickel plated

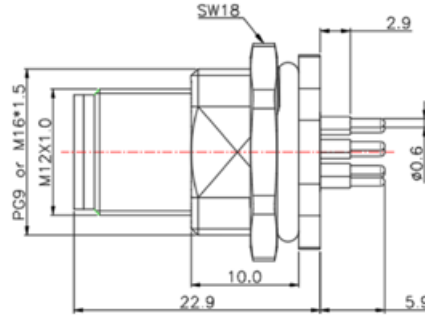
Certificates

No	Number of contacts	Cable specification and ending	EMC compliance	Ordering P/N
1	8	variable	shielded	AM12M0814X00X-XXX

Product Description: M12 panel receptacle, rear mount, male, contacts:8, PCB dip-solder connection, X code, straight, IP67



Illustration



Drawings



Pin assignment

Technical data

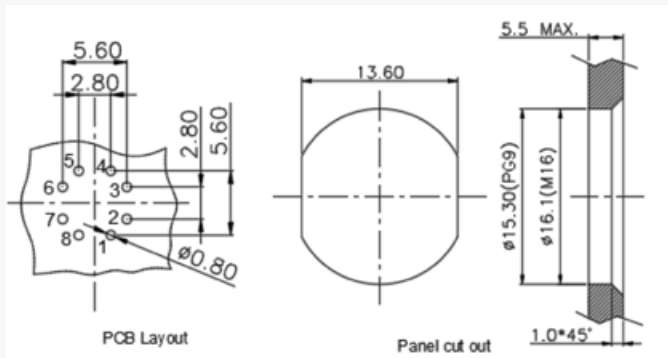
General

Standard	IEC61076-2-109
Locking system	Fix screw locking
Gender	Male
Series	AM12
Coding	X
Torque	2.0N.M
Category	Device connector, rear mount
Connection type	PCB dip-solder connection
Custom tariff number	85444290
Country of origin	China

Electrical

Rated current	0.5A
Rated voltage	60V
Rated Impulse voltage	800V
Insulation resistance	≥ 100 MΩ
EMC compliance	/
Degree of protection	IP67
Mechanical operation	> 100 mating cycles
Operating temperature	-25°C ~ 85°C

Panel cut-out



Material

Flammability rating	Acc. to UL94V-0
Contact material	Brass with Gold plated
Insulation material	PA66
Jam nut material	Brass with Nickel plated
Sealing material	Silicone
Shell material	Brass with Nickel plated

Certificates

No Number of contacts

Fastening thread

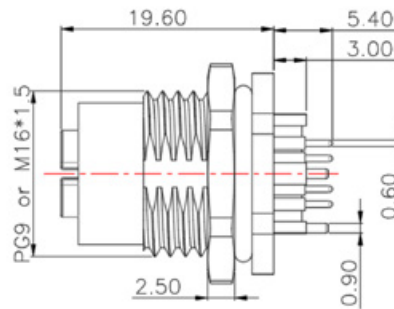
Ordering P/N

1	4	PG 9	AM12M0822X001
2	4	M16*1.5	AM12M0822X002

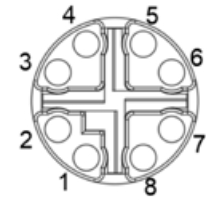
Product Description: M12 panel receptacle, rear mount, female, contacts:8, PCB dip-solder connection, X code, straight, IP67



Illustration



Drawings



Pin assignment

Technical data

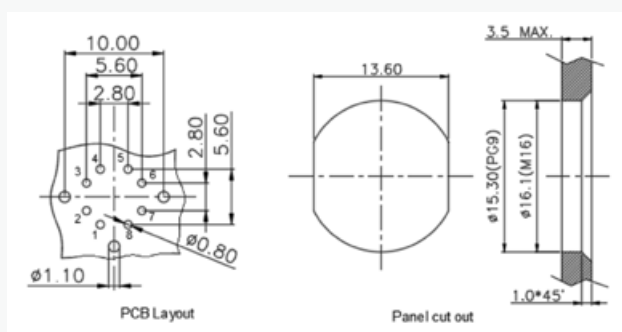
General

Standard	IEC61076-2-109
Locking system	Fix screw locking
Gender	Female
Series	AM12
Coding	X
Torque	2.0N.M
Category	Pre-molded cable
Connection type	Solder connection
Custom tariff number	85444290
Country of origin	China

Electrical

Rated current	0.5A
Rated voltage	60V
Rated Impulse voltage	800V
Insulation resistance	≥ 100 MΩ
EMC compliance	/
Degree of protection	IP67
Mechanical operation	> 100 mating cycles
Operating temperature	-25°C ~ 85°C

Panel cut-out



Material

Flammability rating	Acc. to UL94V-0
Contact material	Brass with Gold plated
Insulation material	PA66
Jam nut material	Brass with Nickel plated
Sealing material	Silicone
Shell material	Brass with Nickel plated

Certificates

No Number of contacts

Fastening thread

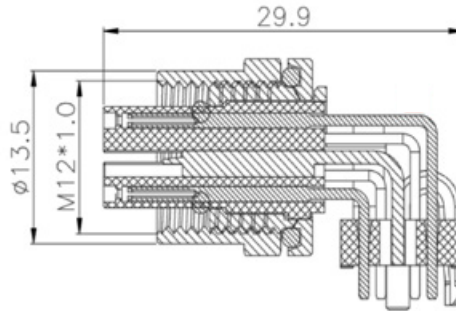
Ordering P/N

1	8	PG 9	AM12F0822X001
2	8	M16*1.5	AM12F0822X002

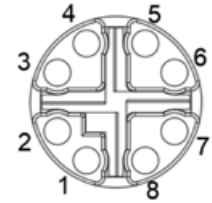
Product Description: M12 panel receptacle, rear mount, female, contacts:8, PCB dip-solder connection, X code, right angled, IP67



Illustration



Drawings



Pin assignment

Technical data

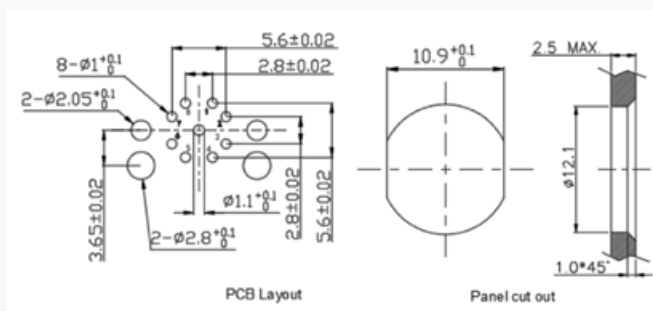
General

Standard	IEC61076-2-109
Locking system	Fix screw locking
Gender	Female
Series	AM12
Coding	X
Torque	2.0N.M
Category	Device connector, rear mount
Connection type	PCB dip-solder connection
Custom tariff number	85444290
Country of origin	China

Electrical

Rated current	0.5A
Rated voltage	60V
Rated Impulse voltage	800V
Insulation resistance	$\geq 100 \text{ M}\Omega$
EMC compliance	/
Degree of protection	IP67
Mechanical operation	> 100 mating cycles
Operating temperature	-25°C ~ 85°C

Panel cut-out



Material

Flammability rating	Acc. to UL94V-0
Contact material	Brass with Gold plated
Insulation material	PA66
Jam nut material	Brass with Nickel plated
Sealing material	Silicone
Shell material	Brass with Nickel plated

Certificates

No Number of contacts

1 8

Fastening thread

M12 * 1.0

Ordering P/N

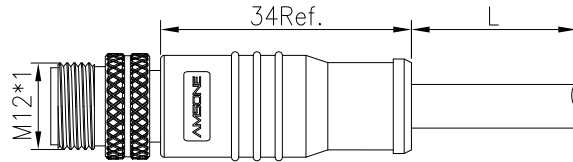
AM12F0822X003



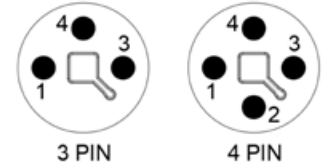
Product Description: M12 pre-molded cable connector, male, contacts:3,4, solder connection, T code, straight, IP67



Illustration



Drawings



Pin assignment

Technical data

General

Standard	IEC61076-2-111
Locking system	Fix screw locking
Gender	Male
Series	AM12
Coding	T
Torque	0.4N.M
Catogory	Pre-molded cable
Connection type	Solder connection
Cable outlet	variable
Custom tariff number	85444290
Country of origin	China

Electrical

Rated current	12A
Rated voltage	63V
Rated Impulse voltage	1500V
Insulation resistance	≥ 100 MΩ
EMC compliance	Optional
Degree of protection	IP67
Mechanical operation	> 100 mating cycles
Operating temperature	-25°C ~ 85°C

Cable

Cable type	UL Style
Conductor cross section	1.5mm ²
Wire gauge	16AWG
Jacket	PVC/TPU
Temprature	-25°C ~ 85°C
Other resistance	UV resistant (720 h) UL 2556 Premium oil resistance (jacket)
Wire colour	variable
Length	variable

Material

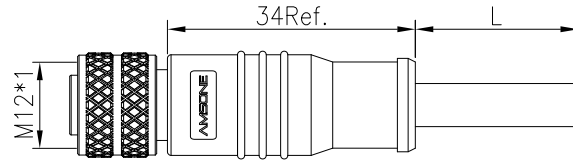
Flammability rating	Acc. to UL94V-0
Contact material	Brass with Gold plated
Insulation material	PA66
Ring nut material	Brass with Nickel plated
Sealing material	Silicone
Molding material	PVC/TPU

No	Number of contacts	Cable specification and ending	EMC compliance	Ordering P/N
1	4	variable	optional	AM12M0411TXXX-XXX
2	3			AM12M0311TXXX-XXX

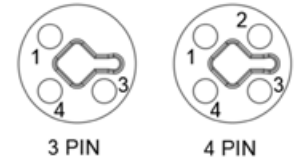
Product Description: M12 pre-molded cable connector, female, contacts: 3,4, solder connection, T code, straight, IP67



Illustration



Drawings



Pin assignment

Technical data

General

Standard	IEC61076-2-111
Locking system	Fix screw locking
Gender	Female
Series	AM12
Coding	T
Torque	0.4N.M
Category	Pre-molded cable
Connection type	Solder connection
Cable outlet	variable
Custom tariff number	85444290
Country of origin	China

Electrical

Rated current	12A
Rated voltage	63V
Rated Impulse voltage	1500V
Insulation resistance	≥ 100 MΩ
EMC compliance	Optional
Degree of protection	IP67
Mechanical operation	> 100 mating cycles
Operating temperature	-25°C ~ 85°C

Cable

Cable type	UL Style
Conductor cross section	1.5mm ²
Wire gauge	16AWG
Jacket	PVC/TPU
Temperature	-25°C ~ 85°C
Other resistance	UV resistant (720 h) UL 2556 Premium oil resistance (jacket)
Wire colour	variable
Length	variable

Material

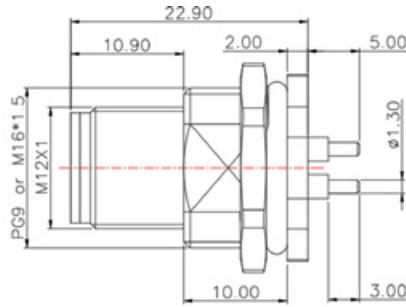
Flammability rating	Acc. to UL94V-0
Contact material	Brass with Gold plated
Insulation material	PA66
Ring nut material	Brass with Nickel plated
Sealing material	Silicone
Molding material	PVC/TPU

No	Number of contacts	Cable specification and ending	EMC compliance	Ordering P/N
1	4	variable	optional	AM12F0411TXXX- XXX
2	3			AM12F0311TXXX- XXX

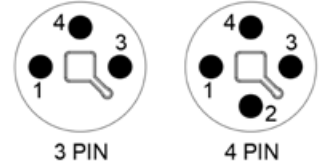
Product Description: M12 panel receptacle, male, contacts: 3,4, PCB dip-solder connection, T code, straight, IP67



Illustration



Drawings

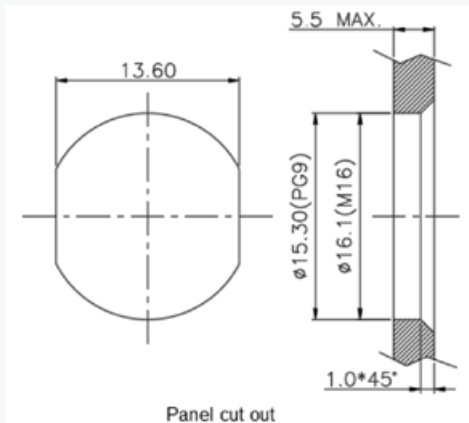


Pin assignment

Technical data

General		Electrical	
Standard	IEC61076-2-111	Rated current	12A
Locking system	Fix screw locking	Rated voltage	63V
Gender	Male	Rated Impulse voltage	1500V
Series	AM12	Insulation resistance	≥ 100 MΩ
Coding	T	EMC compliance	/
Torque	2.0N.M	Degree of protection	IP67
Category	Device connector, rear mount	Mechanical operation	> 100 mating cycles
Connection type	PCB dip-solder connection	Operating temperature	-25°C ~ 85°C
Custom tariff number	85444290		
Country of origin	China		

Panel cut-out



Panel cut out

Material

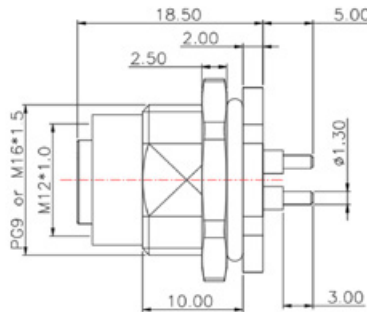
Flammability rating	Acc. to UL94V-0
Contact material	Brass with Gold plated
Insulation material	PA66
Jam nut material	Brass with Nickel plated
Sealing material	Silicone
Shell material	Brass with Nickel plated

No	Number of contacts	Fastening thread	Ordering P/N
1	3	PG9	AM12M0322T001
2	3	M16*1.5	AM12M0322T002
3	4	PG9	AM12M0422T001
4	4	M16*1.5	AM12M0422T002

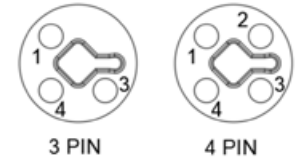
Product Description: M12 panel receptacle, female, contacts: 3,4, PCB dip-solder connection, T code, straight, IP67



Illustration



Drawings



Pin assignment

Technical data

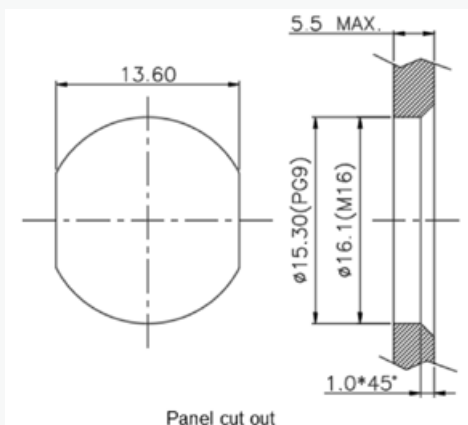
General

Standard	IEC61076-2-111
Locking system	Fix screw locking
Gender	Female
Series	AM12
Coding	T
Torque	2.0N.M
Category	Device connector, rear mount
Connection type	PCB dip-solder connection
Custom tariff number	85444290
Country of origin	China

Electrical

Rated current	12A
Rated voltage	63V
Rated Impulse voltage	1500V
Insulation resistance	≥ 100 MΩ
EMC compliance	/
Degree of protection	IP67
Mechanical operation	> 100 mating cycles
Operating temperature	-25°C ~ 85°C

Panel cut-out



Panel cut out

Material

Flammability rating	Acc. to UL94V-0
Contact material	Brass with Gold plated
Insulation material	PA66
Jam nut material	Brass with Nickel plated
Sealing material	Silicone
Shell material	Brass with Nickel plated

No Number of contacts

1	3
2	3
3	4
4	4

Fastening thread

PG9
M16*1.5
PG9
M16*1.5

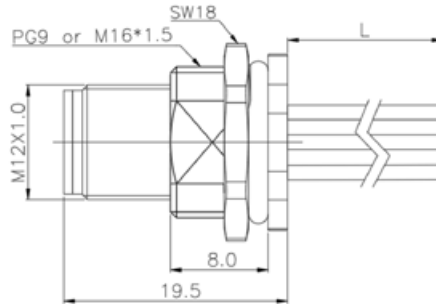
Ordering P/N

AM12F0322T001
AM12F0322T002
AM12F0422T001
AM12F0422T002

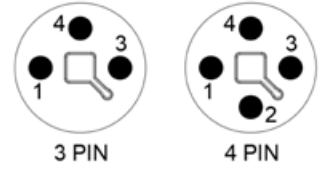
Product Description: M12 panel receptacle, male, contacts: 3,4, solder connection for wires, T code, straight, IP67



Illustration



Drawings



Pin assignment

Technical data

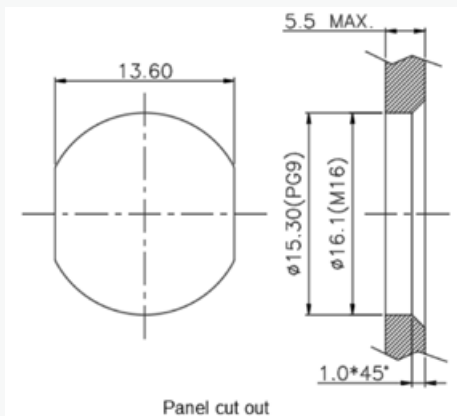
General

Standard	IEC61076-2-111
Locking system	Fix screw locking
Gender	Male
Series	AM12
Coding	T
Torque	2.0N.M
Category	Device connector, rear mount
Connection type	Solder connection for wires
Applicable wire	1.5mm ² / 16AWG
Custom tariff number	85444290
Country of origin	China

Electrical

Rated current	12A
Rated voltage	63V
Rated Impulse voltage	1500V
Insulation resistance	≥ 100 MΩ
EMC compliance	/
Degree of protection	IP67
Mechanical operation	> 100 mating cycles
Operating temperature	-25°C ~ 85°C

Panel cut-out



Material

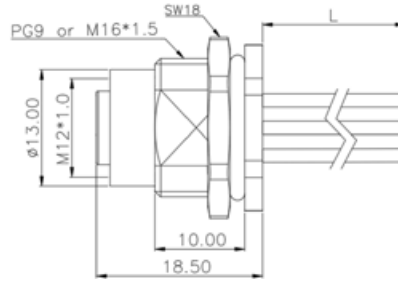
Flammability rating	Acc. to UL94V-0
Contact material	Brass with Gold plated
Insulation material	PA66
Jam nut material	Brass with Nickel plated
Sealing material	Silicone
Shell material	Brass with Nickel plated

No	Number of contacts	Fastening thread	Wire specification and ending	Ordering P/N
1	3	PG9	optional	AM12M0322TXXX-XXX
2	3	M16*1.5		AM12M0322TXXX-XXX
3	4	PG9		AM12M0422TXXX-XXX
4	4	M16*1.5		AM12M0422TXXX-XXX

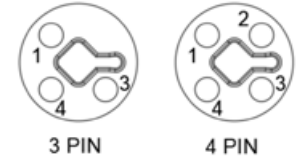
Product Description: M12 panel receptacle, female, contacts: 3,4, solder connection for wires, T code, straight, IP67



Illustration



Drawings

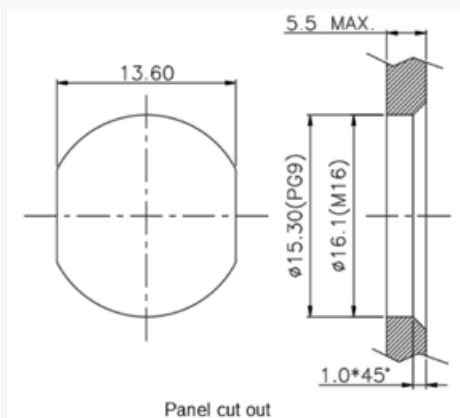


Pin assignment

Technical data

General		Electrical	
Standard	IEC61076-2-111	Rated current	12A
Locking system	Fix screw locking	Rated voltage	63V
Gender	Female	Rated impulse voltage	1500V
Series	AM12	Insulation resistance	≥ 100 MΩ
Coding	T	EMC compliance	/
Torque	2.0N.M	Degree of protection	IP67
Category	Device connector, rear mount	Mechanical operation	> 100 mating cycles
Connection type	Solder connection for wires	Operating temperature	-25°C ~ 85°C
Applicable wire	1.5mm ² / 16AWG		
Custom tariff number	85444290		
Country of origin	China		

Panel cut-out



Panel cut out

Material

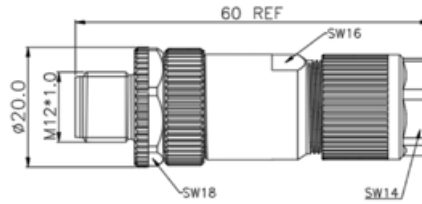
Flammability rating	Acc. to UL94V-0
Contact material	Brass with Gold plated
Insulation material	PA66
Jam nut material	Brass with Nickel plated
Sealing material	Silicone
Shell material	Brass with Nickel plated

No	Number of contacts	Fastening thread	Wire specification and ending	Ordering P/N
1	3	PG9	optional	AM12F0322TXXX-XXX
2	3	M16*1.5		AM12F0322TXXX-XXX
3	4	PG9		AM12F0422TXXX-XXX
4	4	M16*1.5		AM12F0422TXXX-XXX

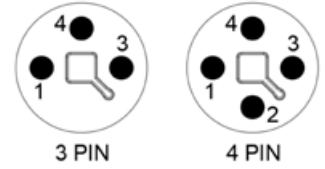
Product Description: M12 cable connector, male, contacts: 3, 4, field assembly type, screw connection, T code, straight, IP67



Illustration



Drawings



Pin assignment

Technical data

General

Standard	IEC61076-2-111
Locking system	Fix screw locking
Gender	Male
Series	AM12
Coding	T
Torque	0.4N.M
Category	Field assembly
Connection type	Screws connection
Wire gauge(max.)	16AWG
Cable outlet	OD6~8mm
Custom tariff number	85444290
Country of origin	China

Electrical

Rated current	12A
Rated voltage	63V
Rated Impulse voltage	1500V
Insulation resistance	≥ 100 MΩ
EMC compliance	Optional
Degree of protection	IP67
Mechanical operation	> 100 mating cycles
Operating temperature	-25°C ~ 85°C

Material

Flammability rating	Acc. to UL94V-0
Contact material	Brass with Gold plated
Insulation material	PA66
Jam nut material	Brass with Nickel plated
Sealing material	Silicone
Shell material	Brass with Nickel plated

Certificates

No Number of contacts

1	3
2	4

Suitable cable diameter

Ø 6 - 8 mm
Ø 6 - 8 mm

Ordering P/N

AM12M0334T001
AM12M0434T001



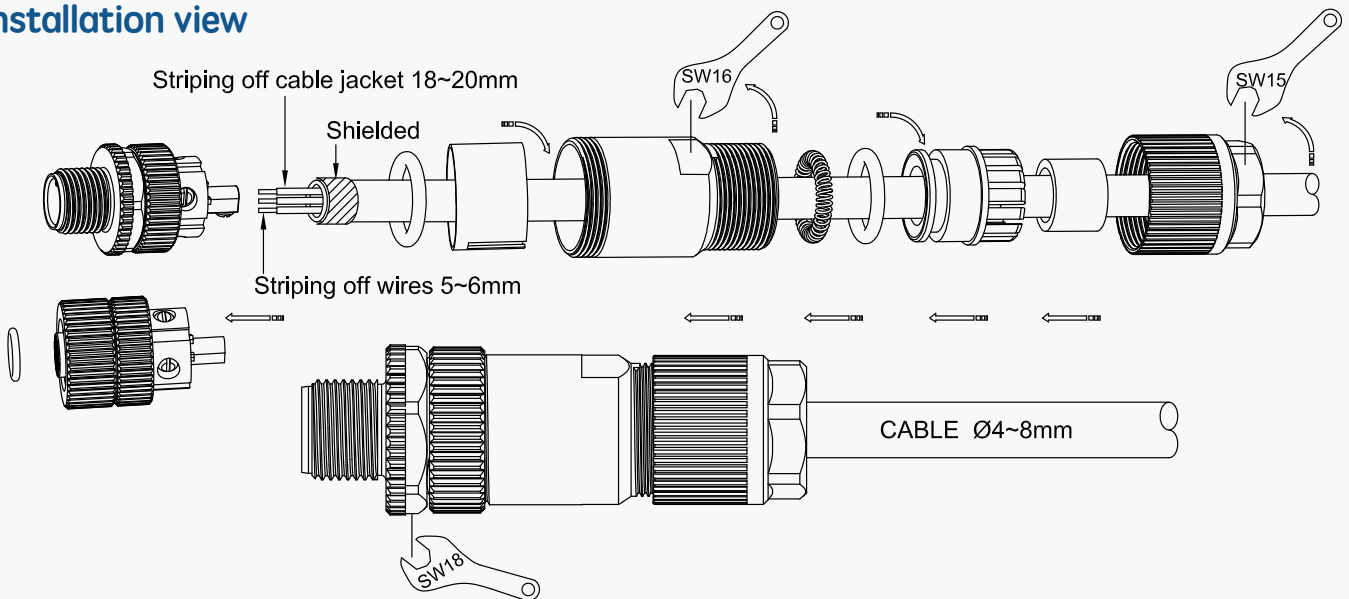
Connector part drawing

Assembly instructions

Installation steps

1. Strip off the cable jacket : 18~20mm.
2. Install the connector parts on the cable in sequence.
3. Reserve the shield 5mm, fold it back to the cable jacket, and wrap it with copper foil. (If the cable has a shielded)
4. Strip off the conductor insulation : 5~6mm.
5. Insert the wire into the terminal hole according to the color corresponding to the pins and locking it with screws.
6. Insert the insulated sleeve into the shell body.
7. Use the corresponding wrench to locking connector and shell body.
8. Installation spring, O-ring, cable clamp, seal.
9. Use a wrench to lock the lock nut with the shell body.

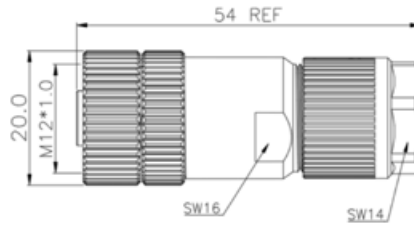
Installation view



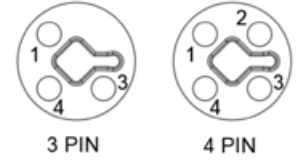
Product Description: M12 cable connector, female, contacts: 3, 4, field assembly type, screw connection, T code, straight, IP67



Illustration



Drawings



Pin assignment

Technical data

General

Standard	IEC61076-2-111
Locking system	Fix screw locking
Gender	Female
Series	AM12
Coding	T
Torque	0.4N.M
Catogory	Field assembly
Connection type	Screws connection
Wire gauge(max.)	16AWG
Cable outlet	OD6~8mm
Custom tariff number	85444290
Country of origin	China

Electrical

Rated current	12A
Rated voltage	63V
Rated Impulse voltage	1500V
Insulation resistance	≥ 100 MΩ
EMC compliance	Shieldable
Degree of protection	IP67
Mechanical operation	> 100 mating cycles
Operating temperature	-25°C ~ 85°C

Material

Flammability rating	Acc. to UL94V-0
Contact material	Brass with Gold plated
Insulation material	PA66
Jam nut material	Brass with Nickel plated
Sealing material	Silicone
Shell material	Brass with Nickel plated

Certificates

No Number of contacts

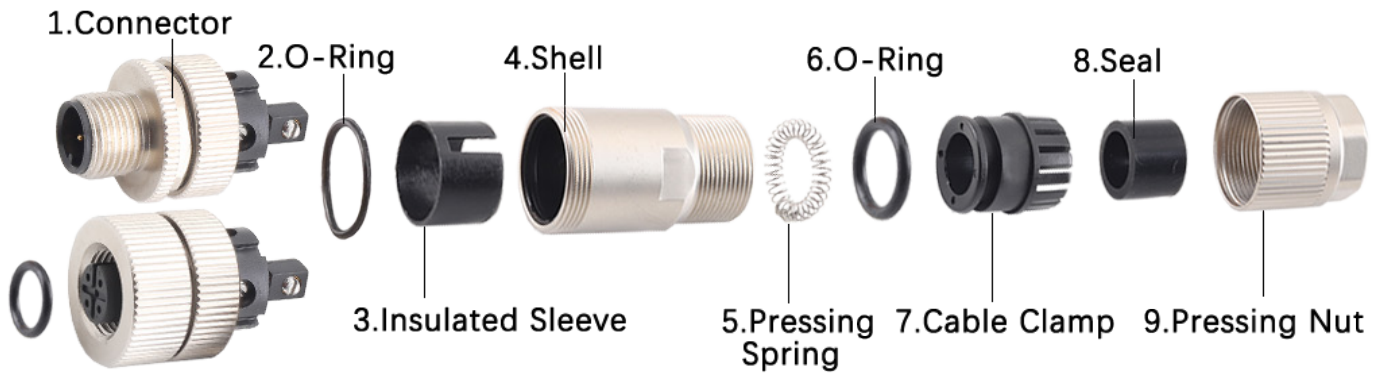
1	3
2	4

Suitable cable diameter

∅ 6 - 8 mm
∅ 6 - 8 mm

Ordering P/N

AM12F0334T001
AM12F0434T001



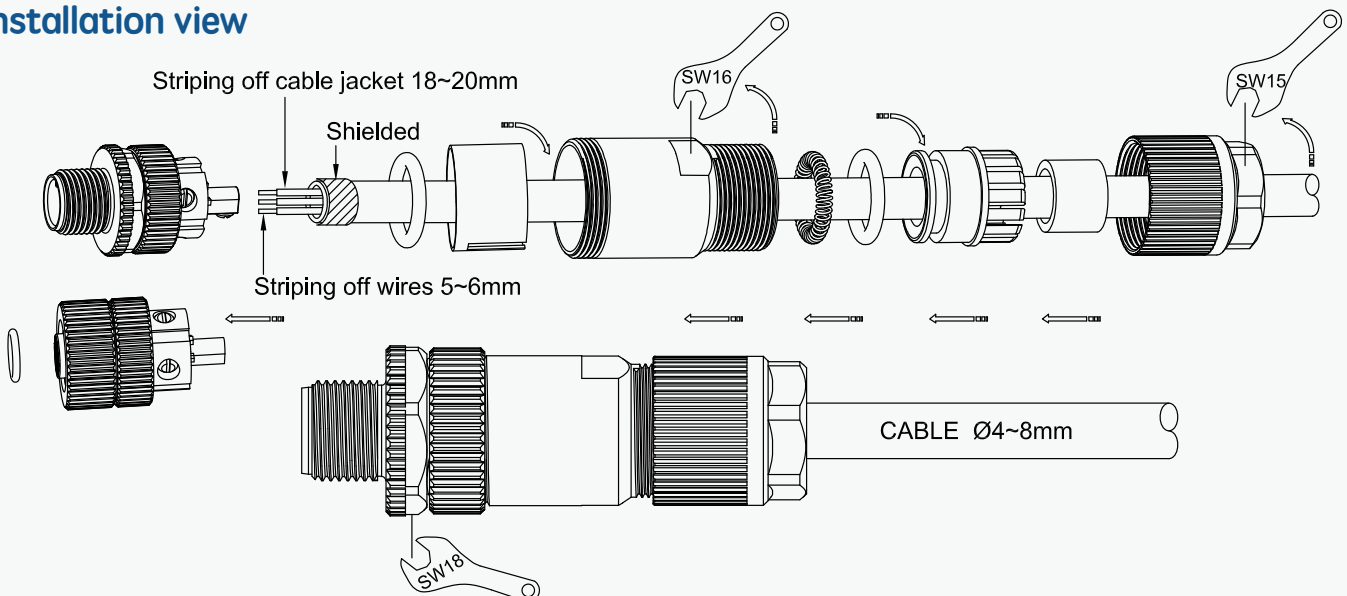
Connector part drawing

Assembly instructions

Installation steps

1. Strip off the cable jacket : 18~20mm.
2. Install the connector parts on the cable in sequence.
3. Reserve the shield 5mm, fold it back to the cable jacket, and wrap it with copper foil. (If the cable has a shielded)
4. Strip off the conductor insulation : 5~6mm.
5. Insert the wire into the terminal hole according to the color corresponding to the pins and locking it with screws.
6. Insert the insulated sleeve into the shell body.
7. Use the corresponding wrench to locking connector and shell body.
8. Installation spring, O-ring, cable clamp, seal.
9. Use a wrench to lock the lock nut with the shell body.

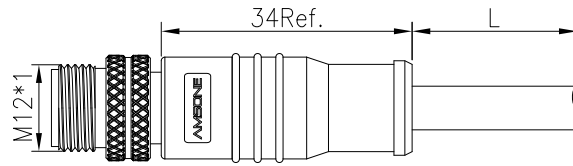
Installation view



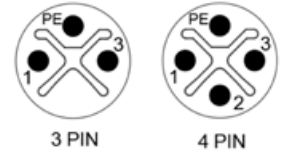
Product Description: M12 pre-molded cable connector, male, contacts:3(2+PE), 4(3+PE), solder connection, S code, straight, IP67



Illustration



Drawings



Pin assignment

Technical data

General

Standard	IEC61076-2-111
Locking system	Fix screw locking
Gender	Male
Series	AM12
Coding	S
Torque	0.4N.M
Catogory	Pre-molded cable
Connection type	Solder connection
Cable outlet	variable
Custom tariff number	85444290
Country of origin	China

Electrical

Rated current	12A
Rated voltage	630V
Rated Impulse voltage	6000V
Insulation resistance	≥ 100 MΩ
EMC compliance	Optional
Degree of protection	IP67
Mechanical operation	> 100 mating cycles
Operating temperature	-25°C ~ 85°C

Cable

Cable type	UL Style
Conductor cross section	1.5mm ²
Wire gauge	16AWG
Jacket	PVC/TPU
Temprature	-25°C ~ 85°C
Other resistance	UV resistant (720 h) UL 2556 Premium oil resistance (jacket)
Wire colour	variable
Length	variable

Material

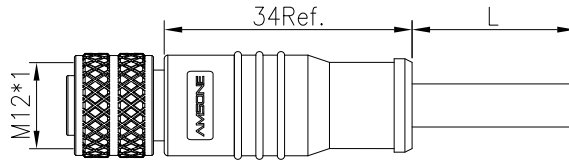
Flammability rating	Acc. to UL94V-0
Contact material	Brass with Gold plated
Insulation material	PA66
Ring nut material	Brass with Nickel plated
Sealing material	Silicone
Molding material	PVC/TPU

No	Number of contacts	Cable specification and ending	EMC compliance	Ordering P/N
1	4	variable	optional	AM12M0411SXXX-XXX
2	3			AM12M0311SXXX-XXX

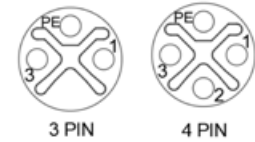
Product Description: M12 pre-molded cable connector, female, contacts:3(2+PE), 4(3+PE), solder connection, S code, straight, IP67



Illustration



Drawings



Pin assignment

Technical data

General

Standard	IEC61076-2-111
Locking system	Fix screw locking
Gender	Female
Series	AM12
Coding	S
Torque	0.4N.M
Category	Pre-molded cable
Connection type	Solder connection
Cable outlet	variable
Custom tariff number	85444290
Country of origin	China

Electrical

Rated current	12A
Rated voltage	630V
Rated Impulse voltage	6000V
Insulation resistance	≥ 100 MΩ
EMC compliance	Optional
Degree of protection	IP67
Mechanical operation	> 100 mating cycles
Operating temperature	-25°C ~ 85°C

Cable

Cable type	UL Style
Conductor cross section	1.5mm ²
Wire gauge	16AWG
Jacket	PVC/TPU
Temperature	-25°C ~ 85°C
Other resistance	UV resistant (720 h) UL 2556 Premium oil resistance (jacket)
Wire colour	variable
Length	variable

Material

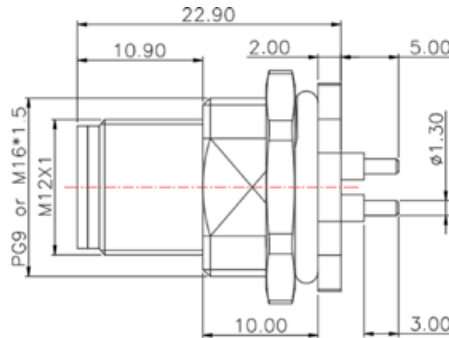
Flammability rating	Acc. to UL94V-0
Contact material	Brass with Gold plated
Insulation material	PA66
Ring nut material	Brass with Nickel plated
Sealing material	Silicone
Molding material	PVC/TPU

No	Number of contacts	Cable specification and ending	EMC compliance	Ordering P/N
1	3			AM12F0411SXXX-XXX
2	4	variable	optional	AM12F0311SXXX-XXX
3	5			AM12F0311SXXX-XXX

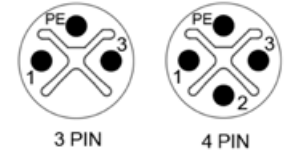
Product Description: M12 panel receptacle, rear mount, male, contacts:3(2+PE),4(3+PE), PCB dip-solder connection, S code, straight, IP67



Illustration



Drawings

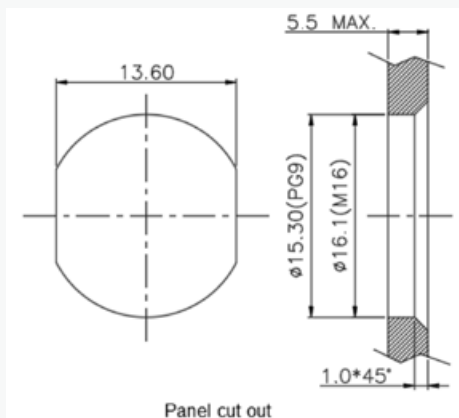


Pin assignment

Technical data

General		Electrical	
Standard	IEC61076-2-111	Rated current	12A
Locking system	Fix screw locking	Rated voltage	630V
Gender	Male	Rated Impulse voltage	6000V
Series	AM12	Insulation resistance	≥ 100 MΩ
Coding	S	EMC compliance	/
Torque	2.0N.M	Degree of protection	IP67
Category	Devide connector, rear mount	Mechanical operation	> 100 mating cycles
Connection type	PCB dip-solder connection	Operating temperature	-25°C ~ 85°C
Custom tariff number	85444290		
Country of origin	China		

Panel cut-out



Panel cut out

Material

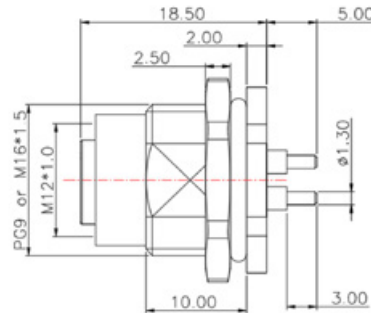
Flammability rating	Acc. to UL94V-0
Contact material	Brass with Gold plated
Insulation material	PA66
Jam nut material	Brass with Nickel plated
Sealing material	Silicone
Shell material	Brass with Nickel plated

No	Number of contacts	Fastening thread	Ordering P/N
1	3(2+PE)	PG9	AM12M0322S001
2	3(2+PE)	M16*1.5	AM12M0322S002
3	4(3+PE)	PG9	AM12M0422S001
4	4(3+PE)	M16*1.5	AM12M0422S002

Product Description: M12 panel receptacle, rear mount, female, contacts:3(2+PE),4(3+PE), PCB dip-solder connection, S code, straight, IP67



Illustration



Drawings



Pin assignment

Technical data

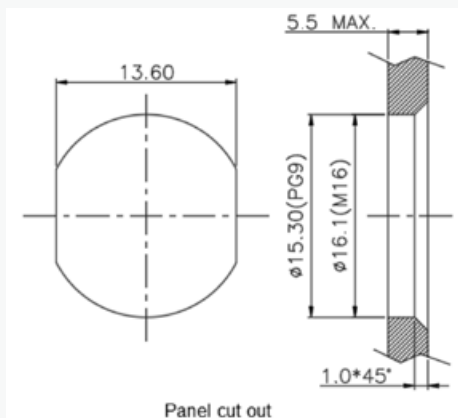
General

Standard	IEC61076-2-111
Locking system	Fix screw locking
Gender	Female
Series	AM12
Coding	S
Torque	2.0N.M
Category	Devide connector, rear mount
Connection type	PCB dip-solder connection
Custom tariff number	85444290
Country of origin	China

Electrical

Rated current	12A
Rated voltage	630V
Rated Impulse voltage	6000V
Insulation resistance	≥ 100 MΩ
EMC compliance	/
Degree of protection	IP67
Mechanical operation	> 100 mating cycles
Operating temperature	-25°C ~ 85°C

Panel cut-out



Material

Flammability rating	Acc. to UL94V-0
Contact material	Brass with Gold plated
Insulation material	PA66
Jam nut material	Brass with Nickel plated
Sealing material	Silicone
Shell material	Brass with Nickel plated

No Number of contacts

1	3(2+PE)
2	3(2+PE)
3	4(3+PE)
4	4(3+PE)

Fastening thread

PG9
M16 * 1.5
PG9
M16 * 1.5

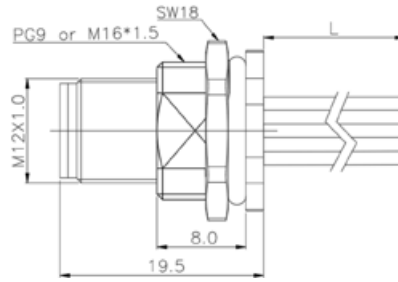
Ordering P/N

AM12F0322S001
AM12F0322S002
AM12F0422S001
AM12F0422S002

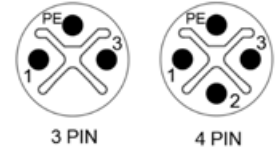
Product Description: M12 panel receptacle, rear mount, male, contacts:3,4, solder connection for wires, S code, straight, IP67



Illustration



Drawings

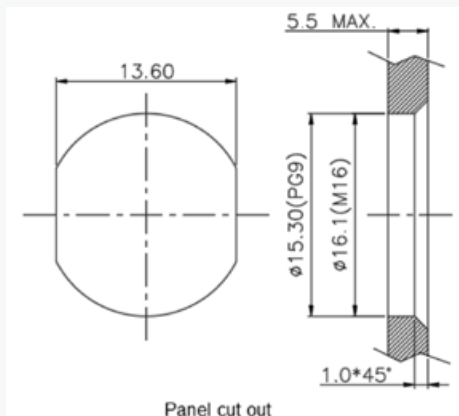


Pin assignment

Technical data

General		Electrical	
Standard	IEC61076-2-111	Rated current	12A
Locking system	Fix screw locking	Rated voltage	630V
Gender	Male	Rated Impulse voltage	6000V
Series	AM12	Insulation resistance	≥ 100 MΩ
Coding	S	EMC compliance	/
Torque	2.0N.M	Degree of protection	IP67
Category	Devide connector, rear mount	Mechanical operation	> 100 mating cycles
Connection type	Solder connection for wires	Operating temperature	-25°C ~ 85°C
Applicable wire	1.5mm ² / 16AWG		
Custom tariff number	85444290		
Country of origin	China		

Panel cut-out



Panel cut out

Material

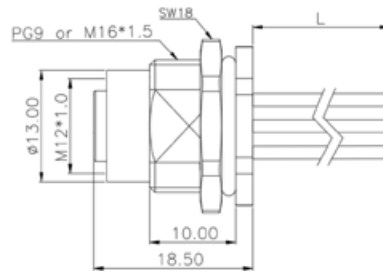
Flammability rating	Acc. to UL94V-0
Contact material	Brass with Gold plated
Insulation material	PA66
Jam nut material	Brass with Nickel plated
Sealing material	Silicone
Shell material	Brass with Nickel plated

No	Number of contacts	Fastening thread	Wire specification and ending	Ordering P/N
1	3	PG 9	UL1015 or variable	AM12M0322SXXX-XXX
2	3	M16*1.5		AM12M0322SXXX-XXX
3	4	PG 9		AM12M0422SXXX-XXX
4	4	M16*1.5		AM12M0422SXXX-XXX

Product Description: M12 panel receptacle, rear mount, female, contacts:3,4, solder connection for wires, S code, straight, IP67



Illustration



Drawings



Pin assignment

Technical data

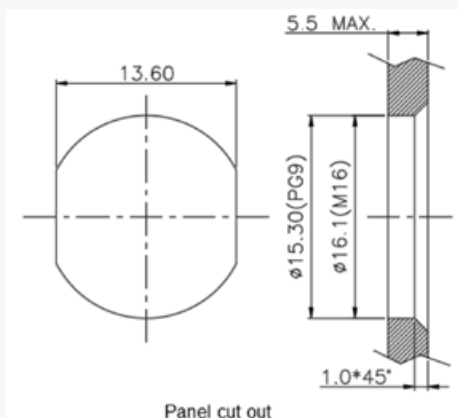
General

Standard	IEC61076-2-111
Locking system	Fix screw locking
Gender	Female
Series	AM12
Coding	S
Torque	2.0N.M
Category	Device connector, rear mount
Connection type	Solder connection for wires
Applicable wire	1.5mm ² / 16AWG
Custom tariff number	85444290
Country of origin	China

Electrical

Rated current	12A
Rated voltage	630V
Rated Impulse voltage	6000V
Insulation resistance	≥ 100 MΩ
EMC compliance	/
Degree of protection	IP67
Mechanical operation	> 100 mating cycles
Operating temperature	-25°C ~ 85°C

Panel cut-out



Material

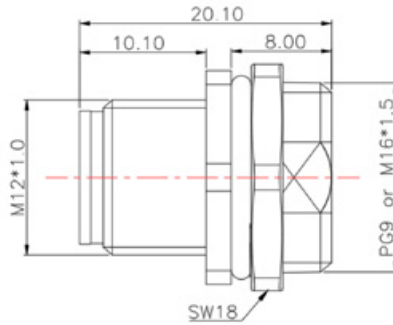
Flammability rating	Acc. to UL94V-0
Contact material	Brass with Gold plated
Insulation material	PA66
Jam nut material	Brass with Nickel plated
Sealing material	Silicone
Shell material	Brass with Nickel plated

No	Number of contacts	Fastening thread	Wire specification and ending	Ordering P/N
1	3	PG 9	UL1015 or variable	AM12F0322SXXX-XXX
2	3	M16*1.5		AM12F0322SXXX-XXX
3	4	PG 9		AM12F0422SXXX-XXX
4	4	M16*1.5		AM12F0422SXXX-XXX

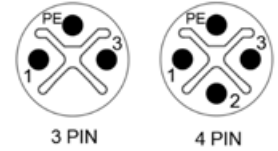
Product Description: M12 panel receptacle, front mount, male, contacts:3,4, solder connection for wires, S code, straight, IP67



Illustration



Drawings



Pin assignment

Technical data

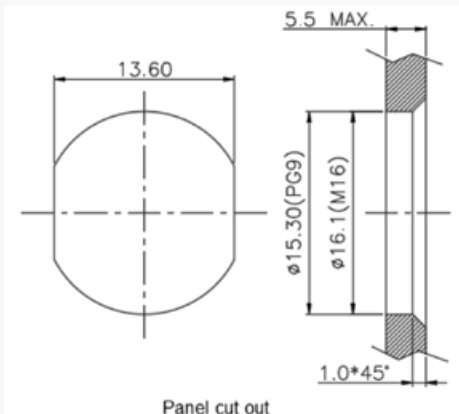
General

Standard	IEC61076-2-111
Locking system	Fix screw locking
Gender	Male
Series	AM12
Coding	S
Torque	2.0N.M
Category	Devide connector, front mount
Connection type	Solder connection for wires
Applicable wire	1.5mm ² / 16AWG
Custom tariff number	85444290
Country of origin	China

Electrical

Rated current	12A
Rated voltage	630V
Rated Impulse voltage	6000V
Insulation resistance	≥ 100 MΩ
EMC compliance	/
Degree of protection	IP67
Mechanical operation	> 100 mating cycles
Operating temperature	-25°C ~ 85°C

Panel cut-out



Panel cut out

Material

Flammability rating	Acc. to UL94V-0
Contact material	Brass with Gold plated
Insulation material	PA66
Jam nut material	Brass with Nickel plated
Sealing material	Silicone
Shell material	Brass with Nickel plated

No Number of contacts

1	3(2+PE)
2	3(2+PE)
3	4(3+PE)
4	4(3+PE)

Fastening thread

PG9
M16 * 1.5
PG9
M16 * 1.5

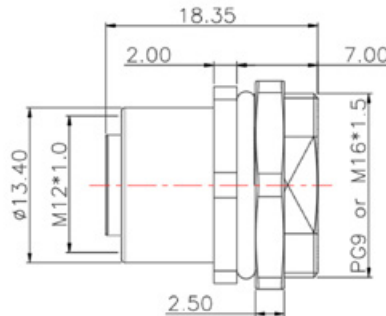
Ordering P/N

AM12M0322S005
AM12M0322S006
AM12M0423S005
AM12M0423S006

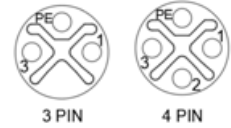
Product Description: M12 panel receptacle, front mount, female, contacts:3,4, solder connection for wires, S code, straight, IP67



Illustration



Drawings



Pin assignment

Technical data

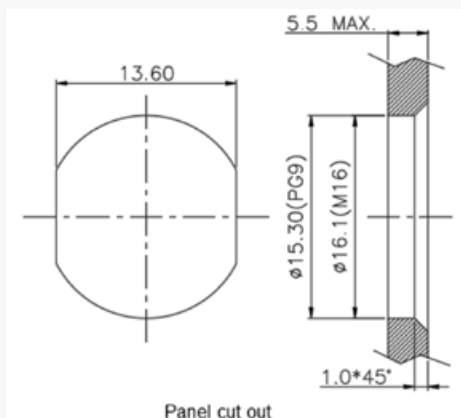
General

Standard	IEC61076-2-111
Locking system	Fix screw locking
Gender	Female
Series	AM12
Coding	S
Torque	2.0N.M
Category	Devide connector, front mount
Connection type	Solder connection for wires
Applicable wire	1.5mm ² / 16AWG
Custom tariff number	85444290
Country of origin	China

Electrical

Rated current	12A
Rated voltage	630V
Rated Impulse voltage	6000V
Insulation resistance	≥ 100 MΩ
EMC compliance	/
Degree of protection	IP67
Mechanical operation	> 100 mating cycles
Operating temperature	-25°C ~ 85°C

Panel cut-out



Panel cut out

Material

Flammability rating	Acc. to UL94V-0
Contact material	Brass with Gold plated
Insulation material	PA66
Jam nut material	Brass with Nickel plated
Sealing material	Silicone
Shell material	Brass with Nickel plated

No Number of contacts

1	3(2+PE)
2	3(2+PE)
3	4(3+PE)
4	4(3+PE)

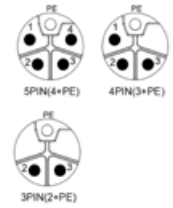
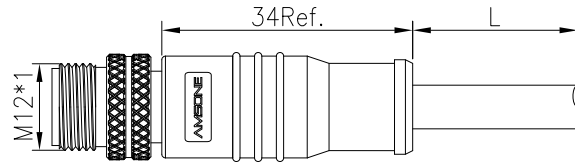
Fastening thread

PG9
M16 * 1.5
PG9
M16 * 1.5

Ordering P/N

AM12F0322S005
AM12F0322S006
AM12F0422S005
AM12F0422S006

Product Description: M12 pre-molded cable connector, male, contacts:3,4,5, solder connection, L code, straight, IP67



Illustration

Drawings

Pin assignment

Technical data

General

Standard	IEC61076-2-111
Locking system	Fix screw locking
Gender	Male
Series	AM12
Coding	L
Torque	0.4N.M
Catogory	Pre-molded cable
Connection type	Solder connection
Cable outlet	variable
Custom tariff number	85444290
Country of origin	China

Electrical

Rated current	16A
Rated voltage	63V
Rated Impulse voltage	1500V
Insulation resistance	≥ 100 MΩ
EMC compliance	Optional
Degree of protection	IP67
Mechanical operation	> 100 mating cycles
Operating temperature	-25°C ~ 85°C

Cable

Cable type	UL Style
Conductor cross section	1.5mm ²
Wire gauge	16AWG
Jacket	PVC/TPU
Temprature	-25°C ~ 85°C
Other resistance	UV resistant (720 h) UL 2556 Premium oil resistance (jacket)
Wire colour	variable
Length	variable

Material

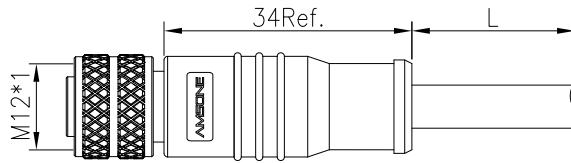
Flammability rating	Acc. to UL94V-0
Contact material	Brass with Gold plated
Insulation material	PA66
Ring nut material	Brass with Nickel plated
Sealing material	Silicone
Molding material	PVC/TPU

No	Number of contacts	Cable specification and ending	EMC compliance	Ordering P/N
1	3(2+PE)			AM12M0311LXXX-XXX
2	4(3+PE)	variable	optional	AM12M0411LXXX-XXX
3	5(4+PE)			AM12M0511LXXX-XXX

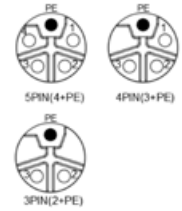
Product Description: M12 pre-molded cable connector, female, contacts:3,4,5, solder connection, L code, straight, IP67



Illustration



Drawings



Pin assignment

Technical data

General

Standard	IEC61076-2-111
Locking system	Fix screw locking
Gender	Female
Series	AM12
Coding	L
Torque	0.4N.M
Category	Pre-molded cable
Connection type	solder connection
Cable outlet	variable
Custom tariff number	85444290
Country of origin	China

Electrical

Rated current	16A
Rated voltage	63V
Rated Impulse voltage	1500V
Insulation resistance	≥ 100 MΩ
EMC compliance	Optional
Degree of protection	IP67
Mechanical operation	> 100 mating cycles
Operating temperature	-25°C ~ 85°C

Cable

Cable type	UL Style
Conductor cross section	1.5mm ²
Wire gauge	16AWG
Jacket	PVC/TPU
Temperature	-25°C ~ 85°C
Other resistance	UV resistant (720 h) UL 2556 Premium oil resistance (jacket)
Wire colour	variable
Length	variable

Material

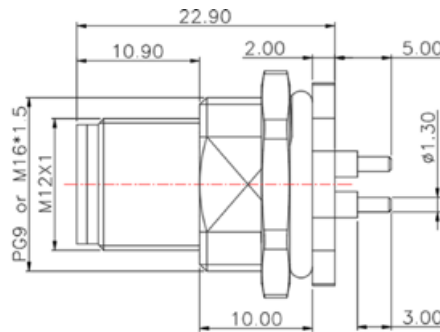
Flammability rating	Acc. to UL94V-0
Contact material	Brass with Gold plated
Insulation material	PA66
Ring nut material	Brass with Nickel plated
Sealing material	Silicone
Molding material	PVC/TPU

No	Number of contacts	Cable specification and ending	EMC compliance	Ordering P/N
1	3(2+PE)			AM12F0311LXXX-XXX
2	4(3+PE)	variable	optional	AM12F0411LXXX-XXX
3	5(4+PE)			AM12F0511LXXX-XXX

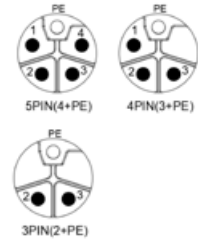
Product Description: M12 panel receptacle, rear mount, male, contacts:3,4,5, PCB dip-solder connection, L code, straight, IP67



Illustration



Drawings

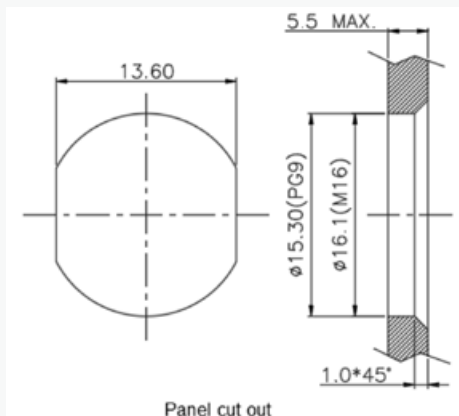


Pin assignment

Technical data

General		Electrical	
Standard	IEC61076-2-111	Rated current	16A
Locking system	Fix screw locking	Rated voltage	63V
Gender	Male	Rated Impulse voltage	1500V
Series	AM12	Insulation resistance	≥ 100 MΩ
Coding	L	EMC compliance	/
Torque	2.0N.M	Degree of protection	IP67
Category	Device connector, rear mount	Mechanical operation	> 100 mating cycles
Connection type	PCB dip-solder connection	Operating temperature	-25°C ~ 85°C
Custom tariff number	85444290		
Country of origin	China		

Panel cut-out



Panel cut out

Material

Flammability rating	Acc. to UL94V-0
Contact material	Brass with Gold plated
Insulation material	PA66
Jam nut material	Brass with Nickel plated
Sealing material	Silicone
Shell material	Brass with Nickel plated

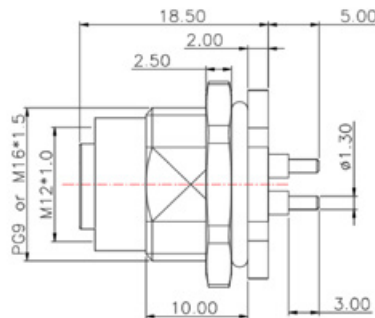
Certificates

No	Number of contacts	Fastening thread	Ordering P/N
1	3(2+PE)	PG9	AM12M0322L001
2	3(2+PE)	M16*1.5	AM12M0322L002
3	4(3+PE)	PG9	AM12M0422L001
4	4(3+PE)	M16*1.5	AM12M0422L002
5	5(4+PE)	PG9	AM12M0522L001
6	5(4+PE)	M16*1.5	AM12M0522L002

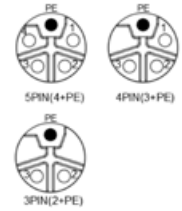
Product Description: M12 panel receptacle, rear mount, female, contacts:3,4,5, PCB dip-solder connection, L code, straight, IP67



Illustration



Drawings



Pin assignment

Technical data

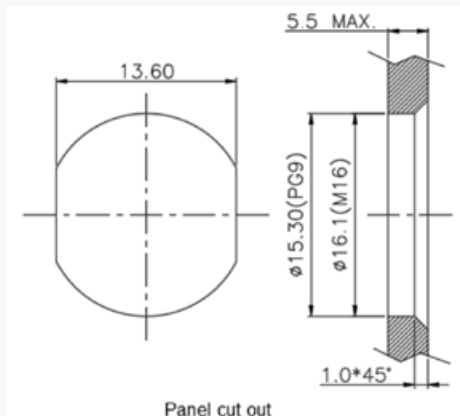
General

Standard	IEC61076-2-111
Locking system	Fix screw locking
Gender	Female
Series	AM12
Coding	L
Torque	2.0N.M
Category	Device connector, rear mount
Connection type	Solder connection for wires
Custom tariff number	85444290
Country of origin	China

Electrical

Rated current	16A
Rated voltage	63V
Rated Impulse voltage	1500V
Insulation resistance	≥ 100 MΩ
EMC compliance	/
Degree of protection	IP67
Mechanical operation	> 100 mating cycles
Operating temperature	-25°C ~ 85°C

Panel cut-out



Material

Flammability rating	Acc. to UL94V-0
Contact material	Brass with Gold plated
Insulation material	PA66
Jam nut material	Brass with Nickel plated
Sealing material	Silicone
Shell material	Brass with Nickel plated

No Number of contacts

1	3(2+PE)
2	3(2+PE)
3	4(3+PE)
4	4(3+PE)
5	5(4+PE)
6	5(4+PE)

Fastening thread

PG9
M16*1.5
PG9
M16*1.5
PG9
M16*1.5

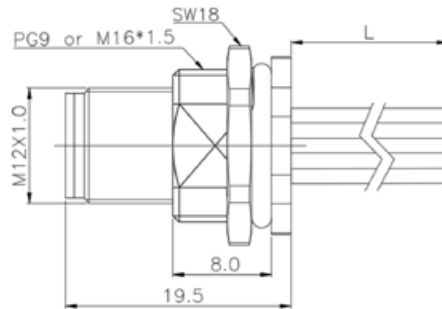
Ordering P/N

AM12F0322L001
AM12F0322L002
AM12F0422L001
AM12F0422L002
AM12F0522L001
AM12F0522L002

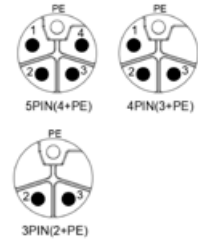
Product Description: M12 panel receptacle, rear mount, male, contacts:3,4,5, solder connection for wires, L code, straight, IP67



Illustration



Drawings



Pin assignment

Technical data

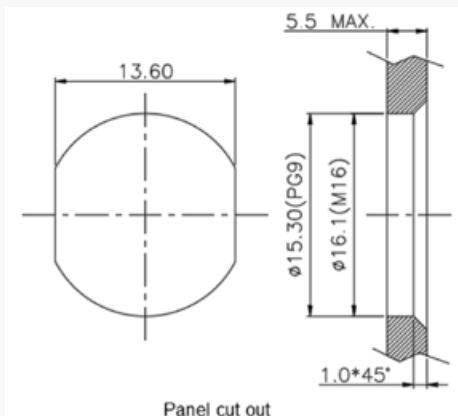
General

Standard	IEC61076-2-111
Locking system	Fix screw locking
Gender	Male
Series	AM12
Coding	L
Torque	2.0N.M
Category	Device connector, rear mount
Connection type	Solder connection for wires
Applicable wire	1.5mm ² / 16AWG
Custom tariff number	85444290
Country of origin	China

Electrical

Rated current	16A
Rated voltage	63V
Rated Impulse voltage	1500V
Insulation resistance	≥ 100 MΩ
EMC compliance	/
Degree of protection	IP67
Mechanical operation	> 100 mating cycles
Operating temperature	-25°C ~ 85°C

Panel cut-out



Material

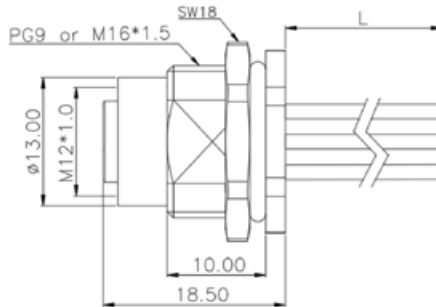
Flammability rating	Acc. to UL94V-0
Contact material	Brass with Gold plated
Insulation material	PA66
Jam nut material	Brass with Nickel plated
Sealing material	Silicone
Shell material	Brass with Nickel plated

No	Number of contacts	Fastening thread	Wire specification and ending	Ordering P/N
1	3(2+PE)	PG9	UL1015 or variable	AM12M0322LXXX-XXX
2	3(2+PE)	M16*1.5		AM12M0322LXXX-XXX
3	4(3+PE)	PG9		AM12M0422LXXX-XXX
4	4(3+PE)	M16*1.5		AM12M0422LXXX-XXX
5	5(4+PE)	PG9		AM12M0522LXXX-XXX
6	5(4+PE)	M16*1.5		AM12M0522LXXX-XXX

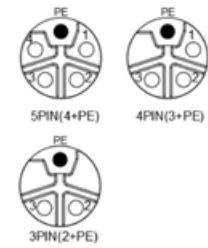
Product Description: M12 panel receptacle, rear mount, female, contacts:3,4,5, solder connection connection for wires, L code, straight, IP67



Illustration



Drawings

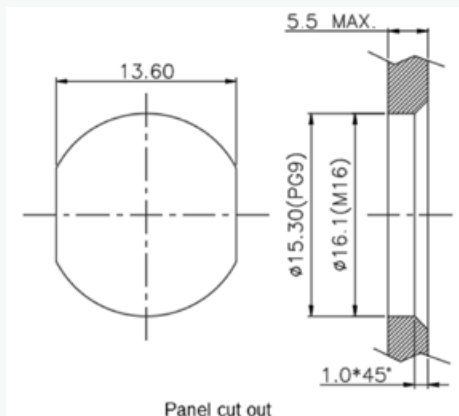


Pin assignment

Technical data

General		Electrical	
Standard	IEC61076-2-111	Rated current	16A
Locking system	Fix screw locking	Rated voltage	63V
Gender	Female	Rated Impulse voltage	1500V
Series	AM12	Insulation resistance	≥ 100 MΩ
Coding	L	EMC compliance	/
Torque	2.0N.M	Degree of protection	IP67
Catogory	Device connector, rear mount	Mechanical operation	> 100 mating cycles
Connection type	Solder connection for wires	Operating temperature	-25°C ~ 85°C
Applicable wire	1.5mm ² / 16AWG		
Custom tariff number	85444290		
Country of origin	China		

Panel cut-out



Panel cut out

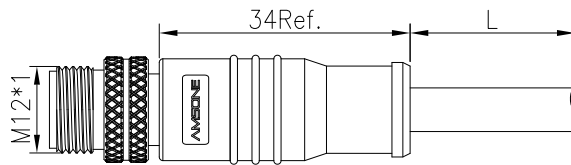
Material	
Flammability rating	Acc. to UL94V-0
Contact material	Brass with Gold plated
Insulation material	PA66
Jam nut material	Brass with Nickel plated
Sealing material	Silicone
Shell material	Brass with Nickel plated

No	Number of contacts	Fastening thread	Wire specification and ending	Ordering P/N
1	3(2+PE)	PG9	UL1015 or variable	AM12F0322LXXX-XXX
2	3(2+PE)	M16*1.5		AM12F0322LXXX-XXX
3	4(3+PE)	PG9		AM12F0422LXXX-XXX
4	4(3+PE)	M16*1.5		AM12F0422LXXX-XXX
5	5(4+PE)	PG9		AM12F0522LXXX-XXX
6	5(4+PE)	M16*1.5		AM12F0522LXXX-XXX

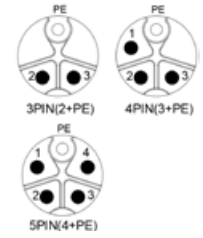
Product Description: M12 pre-molded cable connector, male, contacts:3,4,5, solder connection, K code, straight, IP67



Illustration



Drawings



Pin assignment

Technical data

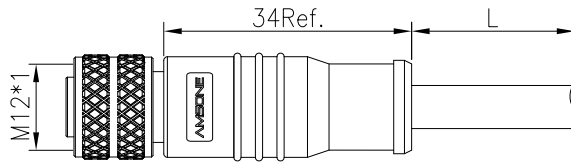
General Standard IEC61076-2-111 Locking system Fix screw locking Gender Male Series AM12 Coding K Torque 0.4N.M Category Pre-molded cable Connection type Solder connection Cable outlet variable Custom tariff number 85444290 Country of origin China		Electrical Rated current 12A Rated voltage 630V Rated Impulse voltage 6000V Insulation resistance $\geq 100 \text{ M}\Omega$ EMC compliance Optional Degree of protection IP67 Mechanical operation > 100 mating cycles Operating temperature $-25^{\circ}\text{C} \sim 85^{\circ}\text{C}$	
Cable Cable type UL Style Conductor cross section 1.5mm^2 Wire gauge 16AWG Jacket PVC/TPU Temperature $-25^{\circ}\text{C} \sim 85^{\circ}\text{C}$ Other resistance UV resistant (720 h) UL 2556 Premium oil resistance (jacket) Wire colour variable Length variable		Material Flammability rating Acc. to UL94V-0 Contact material Brass with Gold plated Insulation material PA66 Ring nut material Brass with Nickel plated Sealing material Silicone Molding material PVC/TPU	

No	Number of contacts	Cable specification and ending	EMC compliance	Ordering P/N
1	3(2+PE)			AM12M0311KXXX-XXX
2	4(3+PE)	variable	optional	AM12M0411KXXX-XXX
3	5(4+PE)			AM12M0511KXXX-XXX

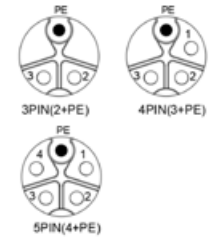
Product Description: M12 pre-molded cable connector, female, contacts:3,4,5, solder connection, K code, straight, IP67



Illustration



Drawings



Pin assignment

Technical data

General

Standard	IEC61076-2-111
Locking system	Fix screw locking
Gender	Female
Series	AM12
Coding	K
Torque	0.4N.M
Catogory	Pre-molded cable
Connection type	Solder connection
Cable outlet	variable
Custom tariff number	85444290
Country of origin	China

Electrical

Rated current	12A
Rated voltage	630V
Rated Impulse voltage	6000V
Insulation resistance	≥ 100 MΩ
EMC compliance	Optional
Degree of protection	IP67
Mechanical operation	> 100 mating cycles
Operating temperature	-25°C ~ 85°C

Cable

Cable type	UL Style
Conductor cross section	1.5mm ²
Wire gauge	16AWG
Jacket	PVC/TPU
Temprature	-25°C ~ 85°C
Other resistance	UV resistant (720 h) UL 2556 Premium oil resistance (jacket)
Wire colour	variable
Length	variable

Material

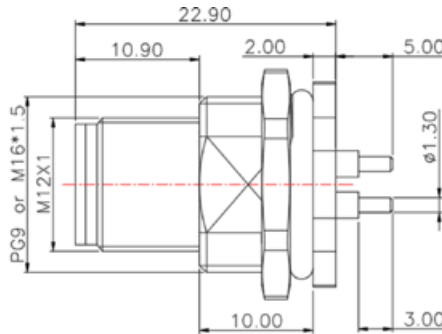
Flammability rating	Acc. to UL94V-0
Contact material	Brass with Gold plated
Insulation material	PA66
Ring nut material	Brass with Nickel plated
Sealing material	Silicone
Molding material	PVC/TPU

No	Number of contacts	Cable specification and ending	EMC compliance	Ordering P/N
1	3(2+PE)			AM12F0311KXXX-XXX
2	4(3+PE)	Customizable	optional	AM12F0411KXXX-XXX
3	5(4+PE)			AM12F0511KXXX-XXX

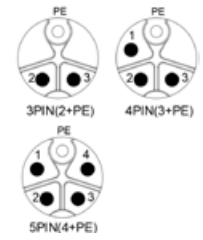
Product Description: M12 panel receptacle, rear mount, male, contacts:3,4,5, PCB dip-solderconnection, K code, straight, IP67



Illustration



Drawings



Pin assignment

Technical data

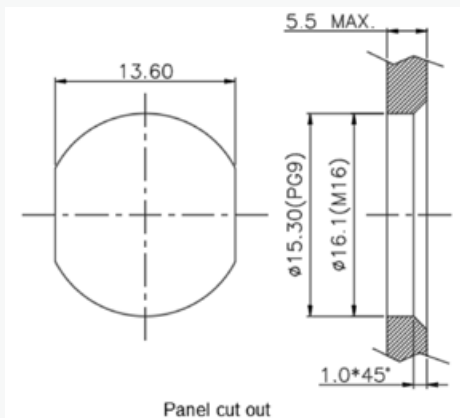
General

Standard	IEC61076-2-111
Locking system	Fix screw locking
Gender	Male
Series	AM12
Coding	K
Torque	2.0N.M
Category	Device connector, rear mount
Connection type	PCB dip-solder connection
Custom tariff number	85444290
Country of origin	China

Electrical

Rated current	12A
Rated voltage	630V
Rated Impulse voltage	6000V
Insulation resistance	$\geq 100 \text{ M}\Omega$
EMC compliance	/
Degree of protection	IP67
Mechanical operation	> 100 mating cycles
Operating temperature	-25°C ~ 85°C

Panel cut-out



Material

Flammability rating	Acc. to UL94V-0
Contact material	Brass with Gold plated
Insulation material	PA66
Jam nut material	Brass with Nickel plated
Sealing material	Silicone
Shell material	Brass with Nickel plated

No Number of contacts

Fastening thread

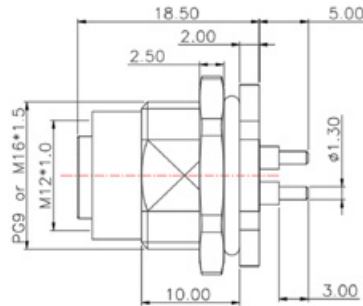
Ordering P/N

No	Number of contacts	Fastening thread	Ordering P/N
1	3(2+PE)	PG9	AM12M0322K001
2	3(2+PE)	M16*1.5	AM12M0322K002
3	4(3+PE)	PG9	AM12M0422K001
4	4(3+PE)	M16*1.5	AM12M0422K002
5	5(4+PE)	PG9	AM12M0522K001
6	5(4+PE)	M16*1.5	AM12M0522K002

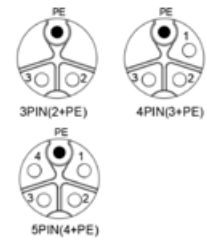
Product Description: M12 panel receptacle, rear mount, female, contacts:3,4,5, PCB dip-solder connection, K code, straight, IP67



Illustration



Drawings

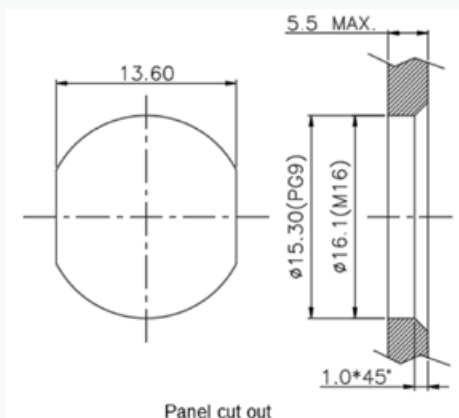


Pin assignment

Technical data

General		Electrical	
Standard	IEC61076-2-111	Rated current	12A
Locking system	Fix screw locking	Rated voltage	630V
Gender	Female	Rated Impulse voltage	6000V
Series	AM12	Insulation resistance	≥ 100 MΩ
Coding	K	EMC compliance	/
Torque	2.0N.M	Degree of protection	IP67
Category	Device connector, rear mount	Mechanical operation	> 100 mating cycles
Connection type	PCB dip-solder connection	Operating temperature	-25°C ~ 85°C
Custom tariff number	85444290		
Country of origin	China		

Panel cut-out



Panel cut out

Material

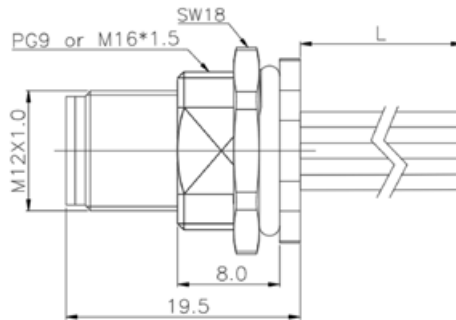
Flammability rating	Acc. to UL94V-0
Contact material	Brass with Gold plated
Insulation material	PA66
Jam nut material	Brass with Nickel plated
Sealing material	Silicone
Shell material	Brass with Nickel plated

No	Number of contacts	Fastening thread	Ordering P/N
1	3(2+PE)	PG9	AM12F0322K001
2	3(2+PE)	M16*1.5	AM12F0322K002
3	4(3+PE)	PG9	AM12F0422K001
4	4(3+PE)	M16*1.5	AM12F0422K002
5	5(4+PE)	PG9	AM12F0522K001
6	5(4+PE)	M16*1.5	AM12F0522K002

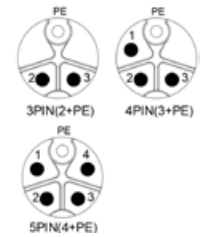
Product Description: M12 panel receptacle, rear mount, male, contacts:3,4,5, solder connection for wires, K code, straight, IP67



Illustration



Drawings



Pin assignment

Technical data

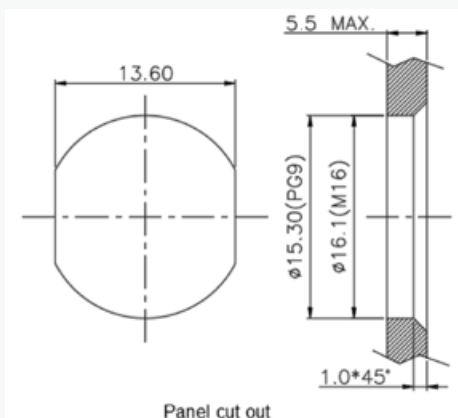
General

Standard	IEC61076-2-111
Locking system	Fix screw locking
Gender	Male
Series	AM12
Coding	K
Torque	2.0N.M
Category	Device connector, rear mount
Connection type	Solder connection for wires
Applicable wire	1.5mm ² / 16AWG
Custom tariff number	85444290
Country of origin	China

Electrical

Rated current	12A
Rated voltage	630V
Rated Impulse voltage	6000V
Insulation resistance	≥ 100 MΩ
EMC compliance	/
Degree of protection	IP67
Mechanical operation	> 100 mating cycles
Operating temperature	-25°C ~ 85°C

Panel cut-out



Material

Flammability rating	Acc. to UL94V-0
Contact material	Brass with Gold plated
Insulation material	PA66
Jam nut material	Brass with Nickel plated
Sealing material	Silicone
Shell material	Brass with Nickel plated

Certificates

No Number of contacts

Fastening thread

Wire specification and ending

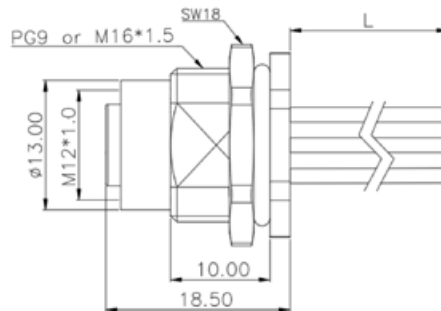
Ordering P/N

No Number of contacts	Fastening thread	Wire specification and ending	Ordering P/N
1	PG 9	UL1015 or variable	AM12M0322K17X-XXX
2	M 16 * 1.5		AM12M0322K17X-XXX
3	PG 9		AM12M0422K17X-XXX
4	M 16 * 1.5		AM12M0422K17X-XXX
5	PG 9		AM12M0522K17X-XXX
6	M 16 * 1.5		AM12M0522K17X-XXX

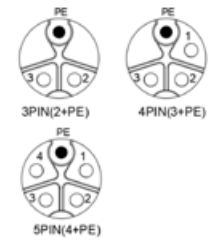
Product Description: M12 panel receptacle, rear mount, female, contacts:3,4,5, solder connection for wires, K code, straight, IP67



Illustration



Drawings

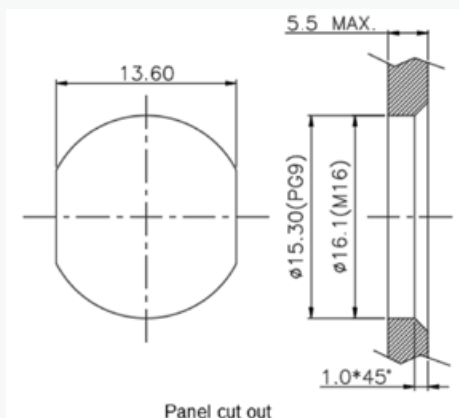


Pin assignment

Technical data

General		Electrical	
Standard	IEC61076-2-111	Rated current	12A
Locking system	Fix screw locking	Rated voltage	630V
Gender	Female	Rated Impulse voltage	6000V
Series	AM12	Insulation resistance	≥ 100 MΩ
Coding	K	EMC compliance	/
Torque	2.0N.M	Degree of protection	IP67
Category	Device connector, rear mount	Mechanical operation	> 100 mating cycles
Connection type	Solder connection for wires	Operating temperature	-25°C ~ 85°C
Applicable wire	1.5mm ² / 16AWG		
Custom tariff number	85444290		
Country of origin	China		

Panel cut-out



Material

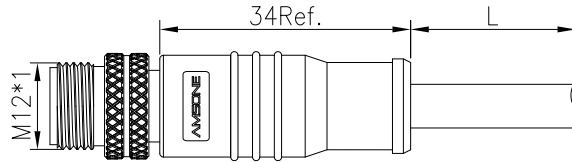
Flammability rating	Acc. to UL94V-0
Contact material	Brass with Gold plated
Insulation material	PA66
Jam nut material	Brass with Nickel plated
Sealing material	Silicone
Shell material	Brass with Nickel plated

No Number of contacts	Fastening thread	Wire specification and ending	Ordering P/N
1	PG 9	UL1015 or variable	AM12F0322K17X-XXX
2	M16*1.5		AM12F0322K17X-XXX
3	PG 9		AM12F0422K17X-XXX
4	M16*1.5		AM12F0422K17X-XXX
5	PG 9		AM12F0522K17X-XXX
6	M16*1.5		AM12F0522K17X-XXX

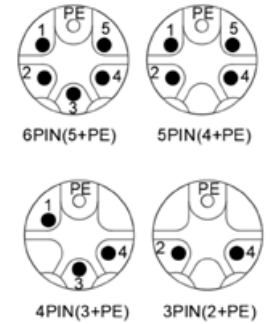
Product Description: M12 pre-molded cable connector, male, contacts:3,4,5,6, solder connection, M code, straight, IP67



Illustration



Drawings



Pin assignment

Technical data

General		Electrical	
Standard	IEC61076-2-111	Rated current	8A
Locking system	Fix screw locking	Rated voltage	630V
Gender	Male	Rated Impulse voltage	6000V
Series	AM12	Insulation resistance	≥ 100 MΩ
Coding	M	EMC compliance	Optional
Torque	0.4N.M	Degree of protection	IP67
Category	Pre-molded cable	Mechanical operation	> 100 mating cycles
Connection type	Solder connection	Operating temperature	-25°C ~ 85°C
Cable outlet	variable		
Custom tariff number	85444290		
Country of origin	China		

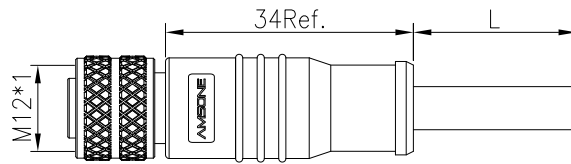
Cable		Material	
Cable type	UL Style	Flammability rating	Acc. to UL94V-0
Conductor cross section	1.5mm ²	Contact material	Brass with Gold plated
Wire gauge	16AWG	Insulation material	PA66
Jacket	PVC/TPU	Ring nut material	Brass with Nickel plated
Temperature	-25°C ~ 85°C	Sealing material	Silicone
Other resistance	UV resistant (720 h) UL 2556 Premium oil resistance (jacket)	Molding material	PVC/TPU
Wire colour	variable		
Length	variable		

No	Number of contacts	Cable specification and ending	EMC compliance	Ordering P/N
1	3(2+PE)			AM12M0311MXXX-XXX
2	4(3+PE)			AM12M0411MXXX-XXX
3	5(4+PE)	variable	optional	AM12M0511MXXX-XXX
4	6(5+PE)			AM12M0611MXXX-XXX

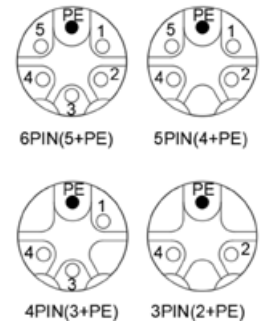
Product Description: M12 pre-molded cable connector, female, contacts:3,4,5,6, solder connection, M code, straight, IP67



Illustration



Drawings



Pin assignment

Technical data

General

Standard	IEC61076-2-111
Locking system	Fix screw locking
Gender	Female
Series	AM12
Coding	M
Torque	0.4N.M
Category	Pre-molded cable
Connection type	Solder connection
Cable outlet	variable
Custom tariff number	85444290
Country of origin	China

Electrical

Rated current	8A
Rated voltage	630V
Rated Impulse voltage	6000V
Insulation resistance	≥ 100 MΩ
EMC compliance	Optional
Degree of protection	IP67
Mechanical operation	> 100 mating cycles
Operating temperature	-25°C ~ 85°C

Cable

Cable type	UL Style
Conductor cross section	1.5mm ²
Wire gauge	16AWG
Jacket	PVC/TPU
Temperature	-25°C ~ 85°C
Other resistance	UV resistant (720 h) UL 2556 Premium oil resistance (jacket)
Wire colour	variable
Length	variable

Material

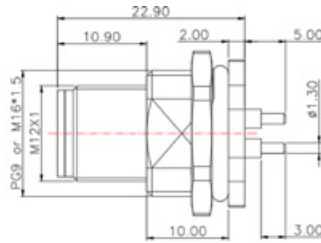
Flammability rating	Acc. to UL94V-0
Contact material	Brass with Gold plated
Insulation material	PA66
Ring nut material	Brass with Nickel plated
Sealing material	Silicone
Molding material	PVC/TPU

No	Number of contacts	Cable specification and ending	EMC compliance	Ordering P/N
1	3(2+PE)			AM12F0311MXXX-XXX
2	4(3+PE)			AM12F0411MXXX-XXX
3	5(4+PE)	variable	optional	AM12F0511MXXX-XXX
4	6(5+PE)			AM12F0611MXXX-XXX

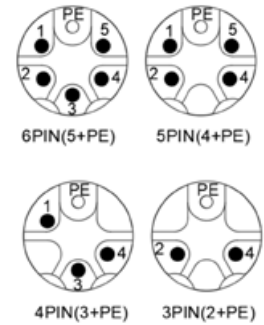
Product Description: M12 panel receptacle, rear mount, male, contacts:3,4,5,6, PCB dip-solder connection, M code, straight, IP67



Illustration



Drawings

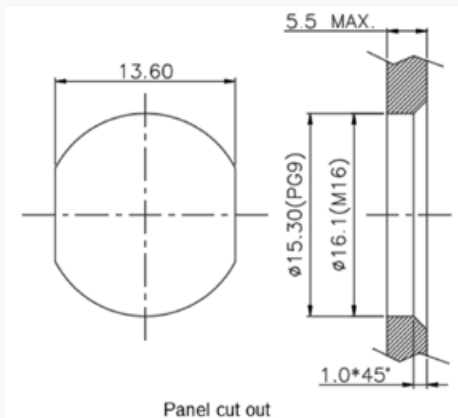


Pin assignment

Technical data

General		Electrical	
Standard	IEC61076-2-111	Rated current	8A
Locking system	Fix screw locking	Rated voltage	630V
Gender	Male	Rated Impulse voltage	6000V
Series	AM12	Insulation resistance	≥ 100 MΩ
Coding	M	EMC compliance	/
Torque	2.0N.M	Degree of protection	IP67
Category	Device connector, rear mount	Mechanical operation	> 100 mating cycles
Connection type	PCB dip-solder connection	Operating temperature	-25°C ~ 85°C
Custom tariff number	85444290		
Country of origin	China		

Panel cut-out



Panel cut out

Material

Flammability rating	Acc. to UL94V-0
Contact material	Brass with Gold plated
Insulation material	PA66
Jam nut material	Brass with Nickel plated
Sealing material	Silicone
Shell material	Brass with Nickel plated

No Number of contacts

1	3(2+PE)
2	3(2+PE)
3	4(3+PE)
4	4(3+PE)
5	5(4+PE)
6	5(4+PE)
7	6(5+PE)
8	6(5+PE)

Fastening thread

PG9
M16*1.5
PG9
M16*1.5
PG9
M16*1.5
PG9
M16*1.5

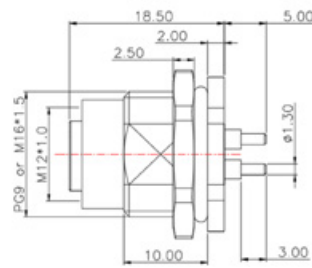
Ordering P/N

AM12M0322M001
AM12M0322M002
AM12M0422M001
AM12M0422M002
AM12M0522M001
AM12M0522M002
AM12M0622M001
AM12M0622M002

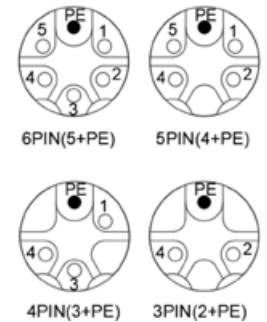
Product Description: M12 panel receptacle, rear mount, female, contacts:3,4,5,6, PCB dip-solder connection, M code, straight, IP67



Illustration



Drawings

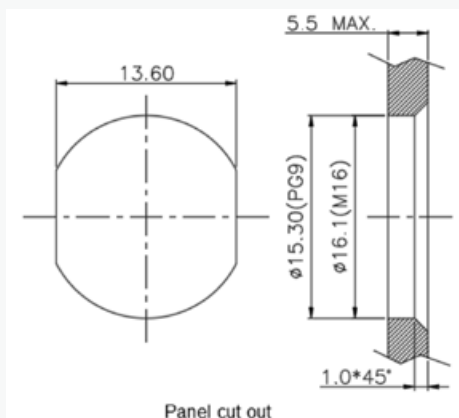


Pin assignment

Technical data

General		Electrical	
Standard	IEC61076-2-111	Rated current	8A
Locking system	Fix screw locking	Rated voltage	630V
Gender	Female	Rated Impulse voltage	6000V
Series	AM12	Insulation resistance	≥ 100 MΩ
Coding	M	EMC compliance	/
Torque	2.0N.M	Degree of protection	IP67
Category	Device connector, rear mount	Mechanical operation	> 100 mating cycles
Connection type	PCB dip-solder connection	Operating temperature	-25°C ~ 85°C
Custom tariff number	85444290		
Country of origin	China		

Panel cut-out



Material

Flammability rating	Acc. to UL94V-0
Contact material	Brass with Gold plated
Insulation material	PA66
Jam nut material	Brass with Nickel plated
Sealing material	Silicone
Shell material	Brass with Nickel plated

No Number of contacts

1	3(2+PE)
2	3(2+PE)
3	4(3+PE)
4	4(3+PE)
5	5(4+PE)
6	5(4+PE)
7	6(5+PE)
8	6(5+PE)

Fastening thread

PG9
M16*1.5
PG9
M16*1.5
PG9
M16*1.5
PG9
M16*1.5

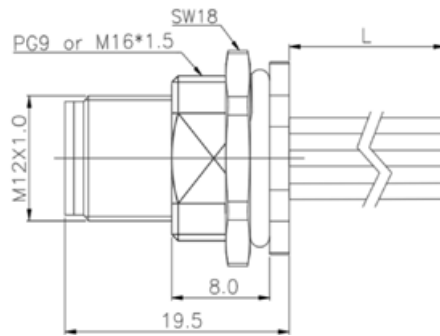
Ordering P/N

AM12F0322M001
AM12F0322M002
AM12F0422M001
AM12F0422M002
AM12F0522M001
AM12F0522M002
AM12F0622M001
AM12F0622M002

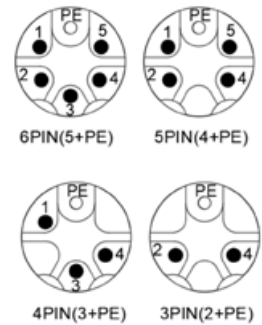
Product Description: M12 panel receptacle, rear mount, male, contacts:3,4,5,6, solder connection for wires, M code, straight, IP67



Illustration



Drawings

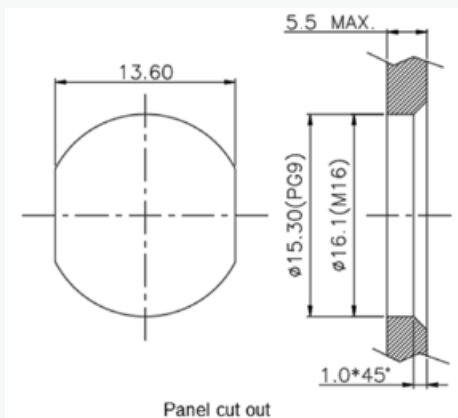


Pin assignment

Technical data

General		Electrical	
Standard	IEC61076-2-111	Rated current	8A
Locking system	Fix screw locking	Rated voltage	630V
Gender	Male	Rated Impulse voltage	6000V
Series	AM12	Insulation resistance	≥ 100 MΩ
Coding	M	EMC compliance	/
Torque	2.0N.M	Degree of protection	IP67
Category	Device connector, rear mount	Mechanical operation	> 100 mating cycles
Connection type	Solder connection for wires	Operating temperature	-25°C ~ 85°C
Applicable wire	1.5mm ² / 16AWG		
Custom tariff number	85444290		
Country of origin	China		

Panel cut-out



Panel cut out

Material

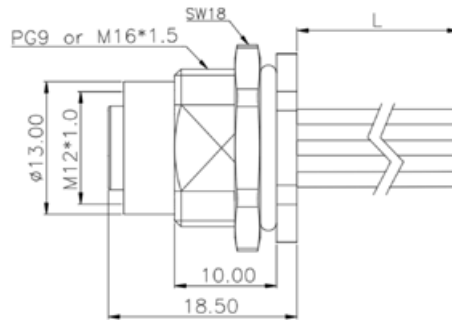
Flammability rating	Acc. to UL94V-0
Contact material	Brass with Gold plated
Insulation material	PA66
Jam nut material	Brass with Nickel plated
Sealing material	Silicone
Shell material	Brass with Nickel plated

No	Number of contacts	Fastening thread	Wire specification and ending	Ordering P/N
1	3(2+PE)	PG 9	UL1015 or variable	AM12M0322M17X-XXX
2	3(2+PE)	M 16 * 1.5		AM12M0322M17X-XXX
3	4(3+PE)	PG 9		AM12M0422M17X-XXX
4	4(3+PE)	M 16 * 1.5		AM12M0422M17X-XXX
5	5(4+PE)	PG 9		AM12M0522M17X-XXX
6	5(4+PE)	M 16 * 1.5		AM12M0522M17X-XXX
7	6(5+PE)	PG 9		AM12M0622M17X-XXX
8	6(5+PE)	M 16 * 1.5		AM12M0622M17X-XXX

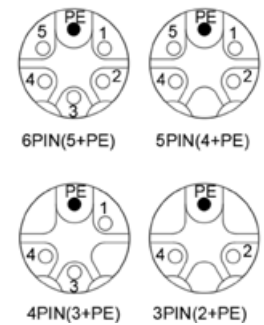
Product Description: M12 panel receptacle, rear mount, female, contacts:3,4,5,6, solder connection for wires, M code, straight, IP67



Illustration



Drawings

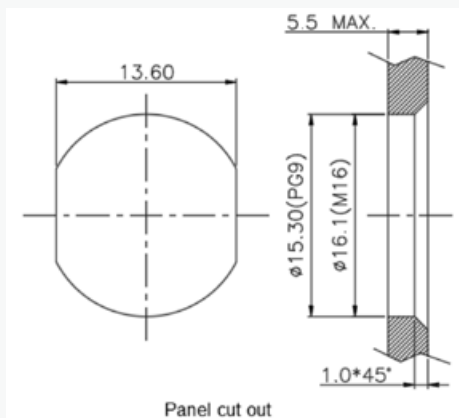


Pin assignment

Technical data

General		Electrical	
Standard	IEC61076-2-111	Rated current	8A
Locking system	Fix screw locking	Rated voltage	630V
Gender	Female	Rated Impulse voltage	6000V
Series	AM12	Insulation resistance	≥ 100 MΩ
Coding	M	EMC compliance	/
Torque	2.0N.M	Degree of protection	IP67
Category	Device connector, rear mount	Mechanical operation	> 100 mating cycles
Connection type	Solder connection for wires	Operating temperature	-25°C ~ 85°C
Applicable wire	1.5mm ² / 16AWG		
Custom tariff number	85444290		
Country of origin	China		

Panel cut-out



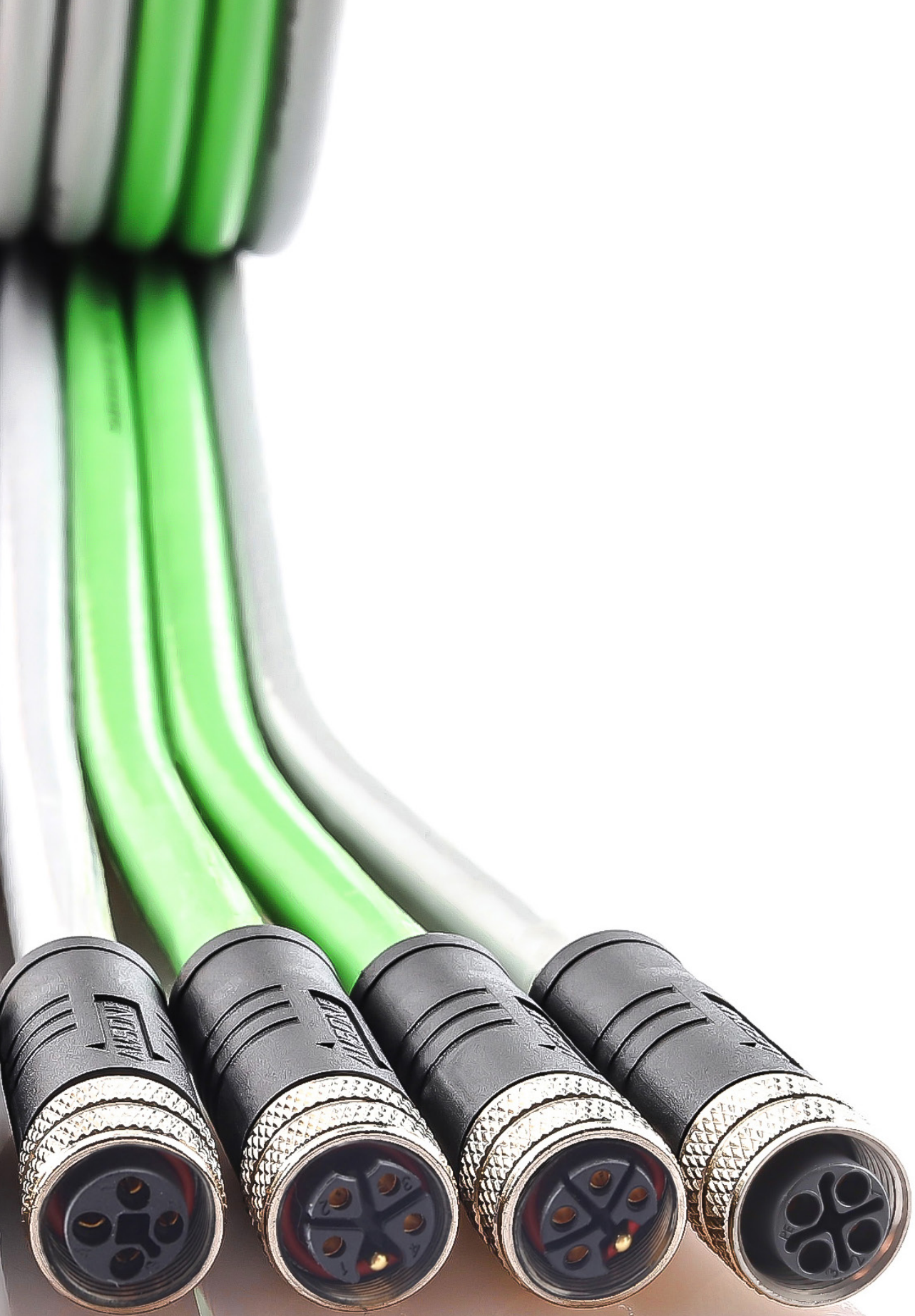
Panel cut out

Material

Flammability rating	Acc. to UL94V-0
Contact material	Brass with Gold plated
Insulation material	PA66
Jam nut material	Brass with Nickel plated
Sealing material	Silicone
Shell material	Brass with Nickel plated

No	Number of contacts	Fastening thread	Wire specification and ending	Ordering P/N
1	3(2+PE)	PG9	UL1015 or variable	AM12F0322M17X-XXX
2	3(2+PE)	M16*1.5		AM12F0322M17X-XXX
3	4(3+PE)	PG9		AM12F0422M17X-XXX
4	4(3+PE)	M16*1.5		AM12F0422M17X-XXX
5	5(4+PE)	PG9		AM12F0522M17X-XXX
6	5(4+PE)	M16*1.5		AM12F0522M17X-XXX
7	6(5+PE)	PG9		AM12F0622M17X-XXX
8	6(5+PE)	M16*1.5		AM12F0622M17X-XXX

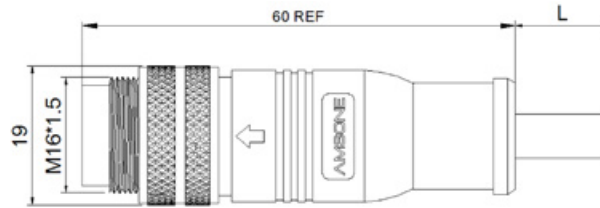




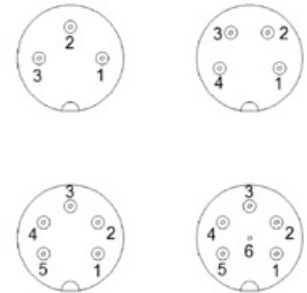
Product Description: M16 pre-molded cable connector, male, contacts:3,4,5,6, solder connection, straight, IP67, shieldable, UL certified



Illustration




Drawings



Pin assignment

Technical data

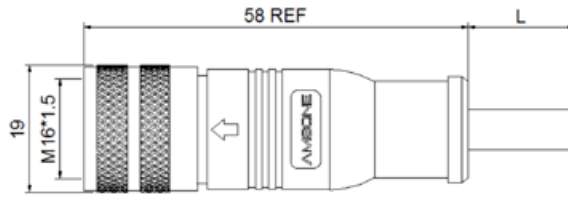
General Standard IEC61076-2-106 Locking system Fix screw locking Gender Male Series AM16 Coding A Torque 0.6N.M Category Pre-molded cable Connection type Solder connection Cable outlet variable Custom tariff number 85444290 Country of origin China		Electrical Rated current 5A Rated voltage 250V Rated Impulse voltage 1500V Insulation resistance $\geq 100 \text{ M}\Omega$ EMC compliance Shieldable Degree of protection IP67 Mechanical operation > 500 mating cycles Operating temperature $-25^{\circ}\text{C} \sim 85^{\circ}\text{C}$	
Cable Cable type UL Style Conductor cross section 0.75mm^2 Wire gauge 18AWG Jacket PVC/TPU Temperature $-25^{\circ}\text{C} \sim 85^{\circ}\text{C}$ Other resistance UV resistant (720 h) UL 2556 Premium oil resistance (jacket) Wire colour variable Length variable		Material Flammability rating Acc. to UL94V-0 Contact material Brass with Gold plated Insulation material PA66 Ring nut material Brass with Nickel plated Sealing material Silicone Molding material PVC/TPU Certificates UL 	

No	Number of contacts	Cable specification and length	Ordering P/N
1	3A	Variable	AM16M0311AXXX-XXX
2	4A		AM16M0411AXXX-XXX
3	5A		AM16M0511AXXX-XXX
4	6A		AM16M0611AXXX-XXX

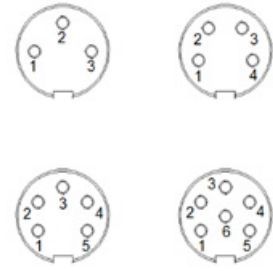
Product Description: M16 pre-molded cable connector, female, contact:3,4,5,6, solder connection, straight, IP67, shieldable, UL certified



Illustration



Drawings



Pin assignment

Technical data

General

Standard	IEC61076-2-106
Locking system	Fix screw locking
Gender	Female
Series	AM16
Coding	A
Torque	0.6N.M
Catogory	Pre-molded cable
Connection type	Solder connection
Cable outlet	variable
Custom tariff number	85444290
Country of origin	China

Electrical

Rated current	5A
Rated voltage	250V
Rated Impulse voltage	1500V
Insulation resistance	≥ 100 MΩ
EMC compliance	Shieldable
Degree of protection	IP67
Mechanical operation	> 500 mating cycles
Operating temperature	-25°C ~ 85°C

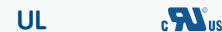
Cable

Cable type	UL Style
Conductor cross section	0.75mm ²
Wire gauge	18AWG
Jacket	PVC/TPU
Temprature	-25°C ~ 85°C
Other resistance	UV resistant (720 h) UL 2556 Premium oil resistance (jacket)
Wire colour	variable
Length	variable

Material

Flammability rating	Acc. to UL94V-0
Contact material	Brass with Gold plated
Insulation material	PA66
Ring nut material	Brass with Nickel plated
Sealing material	Silicone
Molding material	PVC/TPU

Certificates



No Number of contacts

1	3A
2	4A
3	5A
4	6A

Cable specification and length

Variable

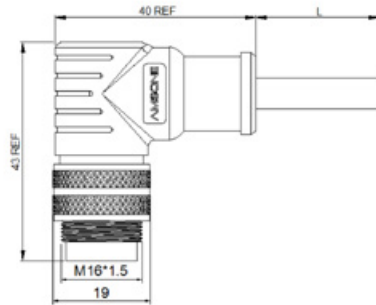
Ordering P/N

AM16F0311AXXX-XXX
AM16F0411AXXX-XXX
AM16F0511AXXX-XXX
AM16F0611AXXX-XXX

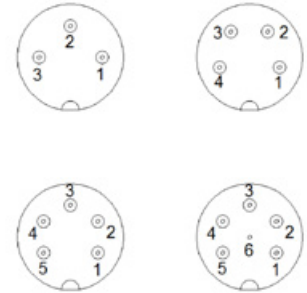
Product Description: M16 pre-molded cable connector, male, contacts:3,4,5,6, solder connection, right angled, IP67, shieldable, UL certified



Illustration



Drawings



Pin assignment

Technical data

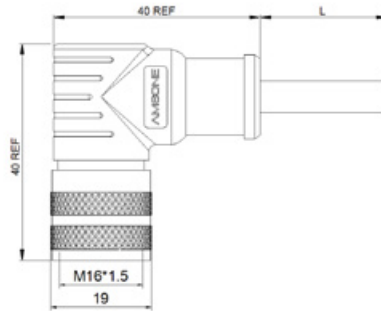
General Standard IEC61076-2-106 Locking system Fix screw locking Gender Male Series AM16 Coding A Torque 0.6N.M Category Pre-molded cable Connection type Solder connection Cable outlet variable Custom tariff number 85444290 Country of origin China		Electrical Rated current 5A Rated voltage 250V Rated Impulse voltage 1500V Insulation resistance $\geq 100 \text{ M}\Omega$ EMC compliance Shieldable Degree of protection IP67 Mechanical operation > 500 mating cycles Operating temperature $-25^{\circ}\text{C} \sim 85^{\circ}\text{C}$	
Cable Cable type UL Style Conductor cross section 0.75mm^2 Wire gauge 18AWG Jacket PVC/TPU Temperature $-25^{\circ}\text{C} \sim 85^{\circ}\text{C}$ Other resistance UV resistant (720 h) UL 2556 Premium oil resistance (jacket) Wire colour variable Length variable		Material Flammability rating Acc. to UL94V-0 Contact material Brass with Gold plated Insulation material PA66 Ring nut material Brass with Nickel plated Sealing material Silicone Molding material PVC/TPU Certificates UL 	

No	Number of contacts	Cable specification and length	Ordering P/N
1	3A	Variable	AM16M0311AXXX-XXX
2	4A		AM16M0411AXXX-XXX
3	5A		AM16M0511AXXX-XXX
4	6A		AM16M0611AXXX-XXX

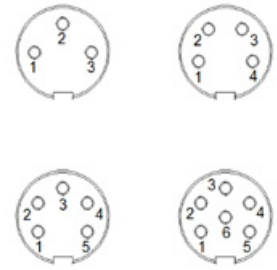
Product Description: M16 pre-molded cable connector, female, contacts:3,4,5,6, solder connection, right angled, IP67, shieldable, UL certified



Illustration



Drawings



Pin assignment

Technical data

General

Standard	IEC61076-2-106
Locking system	Fix screw locking
Gender	Female
Series	AM16
Coding	A
Torque	0.6N.M
Catogory	Pre-molded cable
Connection type	Solder connection
Cable outlet	variable
Custom tariff number	85444290
Country of origin	China

Electrical

Rated current	5A
Rated voltage	250V
Rated Impulse voltage	1500V
Insulation resistance	≥ 100 MΩ
EMC compliance	Shieldable
Degree of protection	IP67
Mechanical operation	> 500 mating cycles
Operating temperature	-25°C ~ 85°C


Cable

Cable type	UL Style
Conductor cross section	0.75mm ²
Wire gauge	18AWG
Jacket	PVC/TPU
Temprature	-25°C ~ 85°C
Other resistance	UV resistant (720 h) UL 2556 Premium oil resistance (jacket)
Wire colour	variable
Length	variable

Material

Flammability rating	Acc. to UL94V-0
Contact material	Brass with Gold plated
Insulation material	PA66
Ring nut material	Brass with Nickel plated
Sealing material	Silicone
Molding material	PVC/TPU

Certificates

UL 

No Number of contacts

1	3A
2	4A
3	5A
4	6A

Cable specification and length

Variable

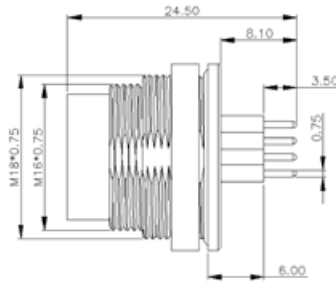
Ordering P/N

AM16F0311AXXX-XXX
AM16F0411AXXX-XXX
AM16F0511AXXX-XXX
AM16F0611AXXX-XXX

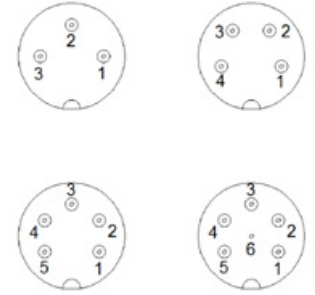
Product Description: M16 panel receptacle, rear mount, male, contacts:3,4,5,6, PCB dip-solder connection, straight, IP67, UL certified



Illustration



Drawings



Pin assignment

Technical data

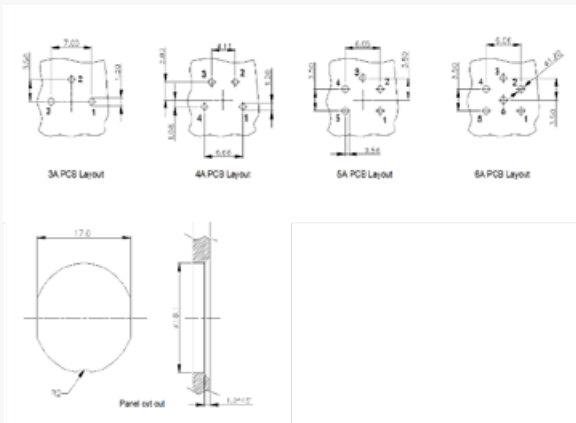
General

Standard	IEC61076-2-106
Locking system	Fix screw locking
Gender	Male
Series	AM16
Coding	A
Torque	3N.M
Category	Device connector, rear mount
Connection type	PCB dip-solder connection
Custom tariff number	85444290
Country of origin	China

Electrical

Rated current	5A
Rated voltage	250V
Rated Impulse voltage	1500V
Insulation resistance	≥ 100 MΩ
EMC compliance	/
Degree of protection	IP67
Mechanical operation	> 500 mating cycles
Operating temperature	-25°C ~ 85°C

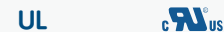
Panel cut-out



Material

Flammability rating	Acc. to UL94V-0
Contact material	Brass with Gold plated
Insulation material	PA66
Jam nut material	Brass with Nickel plated
Sealing material	Silicone
Shell material	Zinc alloy with Nickel plated

Certificates



No Number of contacts

1	3A
2	4A
3	5A
4	6A

Fastening thread

M18*0.75

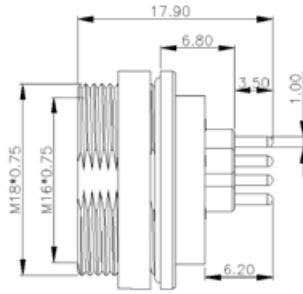
Ordering P/N

AM16M0322A001
AM16M0422A001
AM16M0522A001
AM16M0622A001

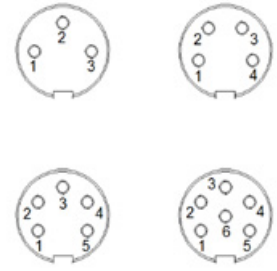
Product Description: M16 panel receptacle, rear mount, female, contacts:3,4,5,6, PCB dip-solder connection, straight, IP67, UL certified



Illustration



Drawings



Pin assignment

Technical data

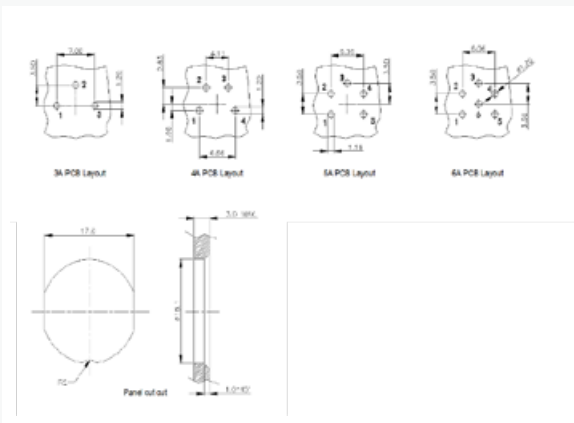
General

Standard	IEC61076-2-106
Locking system	Fix screw locking
Gender	Female
Series	AM16
Coding	A
Torque	3N.M
Category	Device connector, rear mount
Connection type	PCB dip-solder connection
Custom tariff number	85444290
Country of origin	China

Electrical

Rated current	5A
Rated voltage	250V
Rated Impulse voltage	1500V
Insulation resistance	≥ 100 MΩ
EMC compliance	/
Degree of protection	IP67
Mechanical operation	> 500 mating cycles
Operating temperature	-25°C ~ 85°C

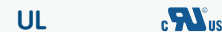
Panel cut-out



Material

Contact material	Brass with Gold plated
Insulation material	PA66
Jam nut material	Brass with Nickel plated
Sealing material	Silicone
Shell material	Zinc alloy with Nickel plated

Certificates



No Number of contacts

1	3A
2	4A
3	5A
4	6A

Fastening thread

M18*0.75

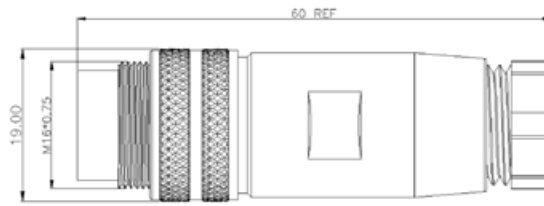
Ordering P/N

AM16F0322A001
AM16F0422A001
AM16F0522A001
AM16F0622A001

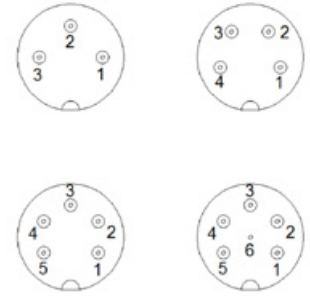
Product Description: M16 cable connector, male, contacts:3,4,5,6,field assembly type, solder connection, straight, IP67, UL certified



Illustration



Drawings



Pin assignment

Technical data

General

Standard	IEC61076-2-106
Locking system	Fix screw locking
Gender	Male
Series	AM16
Coding	A
Torque	0.6N.M
Category	Field assembly
Connection type	Solder connection
Wire gauge(max.)	0.75mm ² / 18AWG
Cable outlet	6~8mm
Custom tariff number	85444290
Country of origin	China

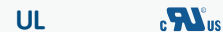
Electrical

Rated current	5A
Rated voltage	250V
Rated Impulse voltage	1500V
Insulation resistance	≥ 100 MΩ
EMC compliance	Shielded
Degree of protection	IP67
Mechanical operation	> 500 mating cycles
Operating temperature	-25°C ~ 85°C

Material

Flammability rating	Acc. to UL94V-0
Contact material	Brass with Gold plated
Insulation material	PA66
Ring nut material	Brass with Nickel plated
Sealing material	Silicone
Shell material	Zinc alloy with Nickel plated

Certificates



No Number of contacts

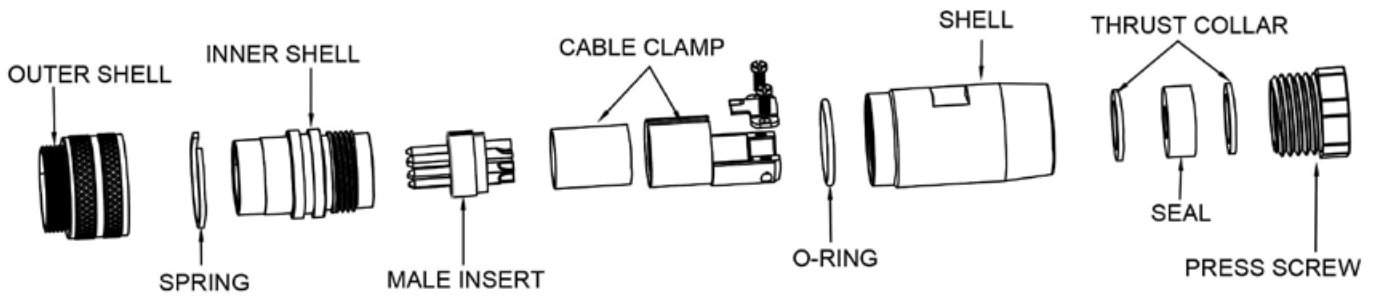
1	3A
2	4A
3	5A
4	6A

Cable specification and length

variable

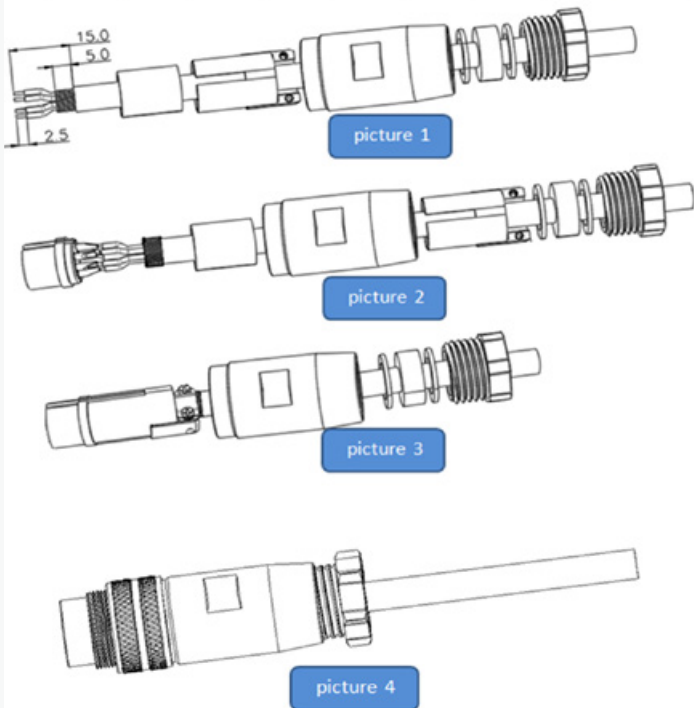
Ordering P/N

AM16M0314A001
AM16M0414A001
AM16M0514A001
AM16M0614A001



Connector part drawing

Assembly instructions



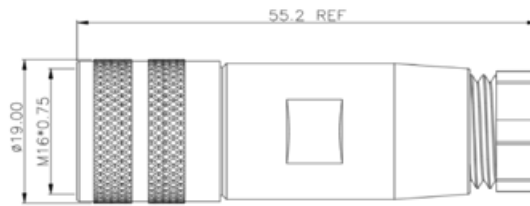
Installation steps

1. Strip the external sheath :15mm.
2. Leave 5mm for braid and cut off the excess.
3. Strip the conductor insulation:2.5mm.
- 4.push the part onto the cable in sequence(as shown picture 1).
- 5.Solder the conductors to the contacts and unbraided the braided screen and push it back.(as shown picture2).
- 6.Assemble the cable clip and insert, and lock the screw to fix the cable (as shown picture 3).
- 7.Put the insert into the shell and assemble other parts (as shown picture 4)

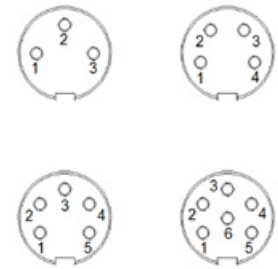
Product Description: M16 cable connector, female, contacts:3,4,5,6,field assembly type, solder connection, straight,IP67,UL certified



Illustration



Drawings



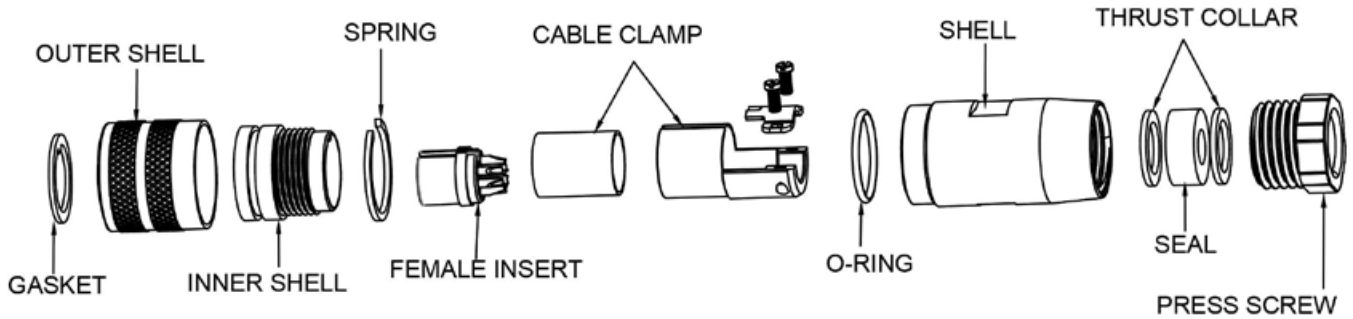
Pin assignment

Technical data

General		Electrical	
Standard	IEC61076-2-106	Rated current	5A
Locking system	Fix screw locking	Rated voltage	250V
Gender	Female	Rated Impulse voltage	1500V
Series	AM16	Insulation resistance	≥ 100 MΩ
Coding	A	EMC compliance	Shielded
Torque	0.6N.M	Degree of protection	IP67
Category	Field assembly	Mechanical operation	> 500 mating cycles
Connection type	Solder connection	Operating temperature	-25°C ~ 85°C
Wire gauge(max.)	0.75mm ² / 18AWG		
Cable outlet	6~8mm		
Custom tariff number	85444290		
Country of origin	China		

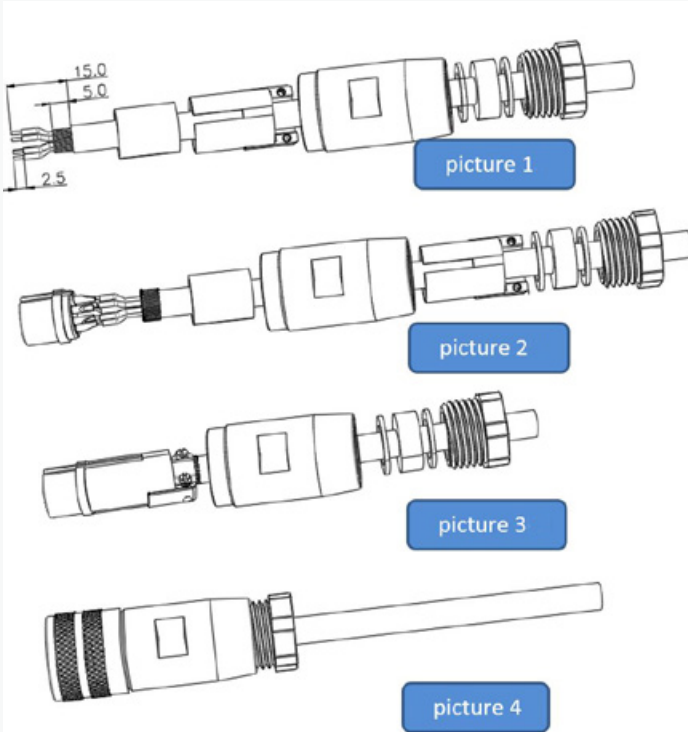
Material	
Flammability rating	Acc. to UL94V-0
Contact material	Brass with Gold plated
Insulation material	PA66
Ring nut material	Brass with Nickel plated
Sealing material	Silicone
Shell material	Brass with Nickel plated
Certificates	
	UL

No	Number of contacts	Cable specification and length	Ordering P/N
1	3A	variable	AM16F0314A001
2	4A		AM16F0414A001
3	5A		AM16F0514A001
4	6A		AM16F0614A001



Connector part drawing

Assembly instructions



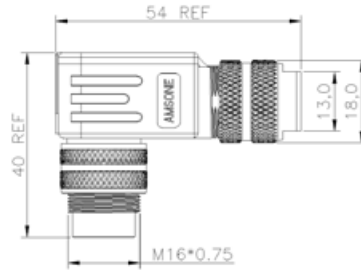
Installation steps

1. Strip the external sheath :15mm.
2. Leave 5mm for braid and cut off the excess.
3. Strip the conductor insulation:2.5mm.
4. push the part onto the cable in sequence (as shown picture 1).
5. Solder the conductors to the contacts and unbraid the braided screen and push it back. (as shown picture 2).
6. Assemble the cable clip and insert, and lock the screw to fix the cable (as shown picture 3).
7. Put the insert into the shell and assemble other parts (as shown picture 4)

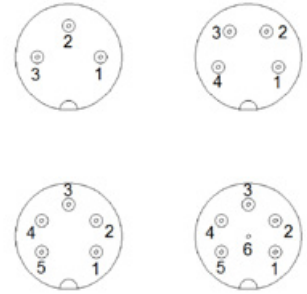
Product Description: M16 cable connector, male, contacts:3,4,5,6,field assembly type, solder connection,right angled,IP67,UL certified



Illustration



Drawings



Pin assignment

Technical data

General

Standard	IEC61076-2-106
Locking system	Fix screw locking
Gender	Male
Series	AM16
Coding	A
Torque	0.6N.M
Category	Field assembly
Connection type	Solder connection
Wire gauge(max.)	0.75mm ² / 18AWG
Cable outlet	6~8mm
Custom tariff number	85444290
Country of origin	China

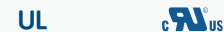
Electrical

Rated current	5A
Rated voltage	250V
Rated Impulse voltage	1500V
Insulation resistance	≥ 100 MΩ
EMC compliance	Shielded
Degree of protection	IP67
Mechanical operation	> 500 mating cycles
Operating temperature	-25°C ~ 85°C

Material

Flammability rating	Acc. to UL94V-0
Contact material	Brass with Gold plated
Insulation material	PA66
Ring nut material	Brass with Nickel plated
Sealing material	Silicone
Shell material	Zinc alloy with Nickel plated

Certificates



No Number of contacts

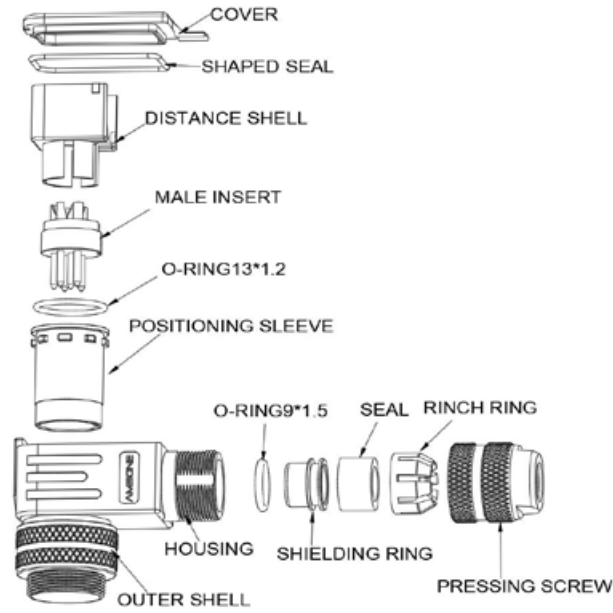
1	3A
2	4A
3	5A
4	6A

Cable specification and length

variable

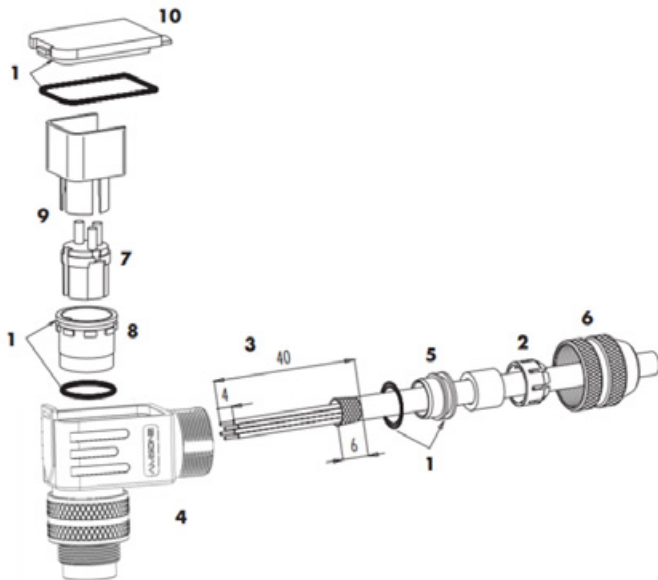
Ordering P/N

AM16M0314A002
AM16M0414A002
AM16M0514A002
AM16M0614A002



Connector part drawing

Assembly instructions



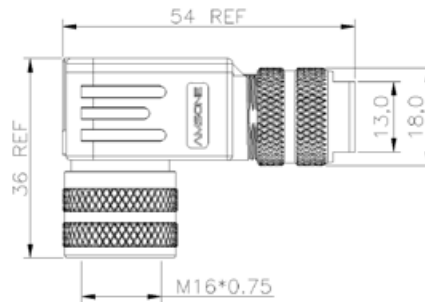
Installation steps

1. Assemble sealing rings (3x).
2. Bead cable parts.
3. Dismantle cable and shielding braid.
4. Push single wires through housing.
5. Mount shielding ring and pinch ring.
6. Slightly fix pressing screw.
7. Solder wires to insert.
8. Mount positioning sleeve in angled position.
9. Put in insert and distance sleeve.
10. Mount lid.
11. Fix pressing screw (approx. 10–20 Nm).

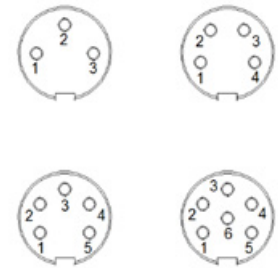
Product Description: M16 cable connector, female, contacts:3,4,5,6,field assembly type, solder connection,right angled,IP67,UL certified



Illustration



Drawings



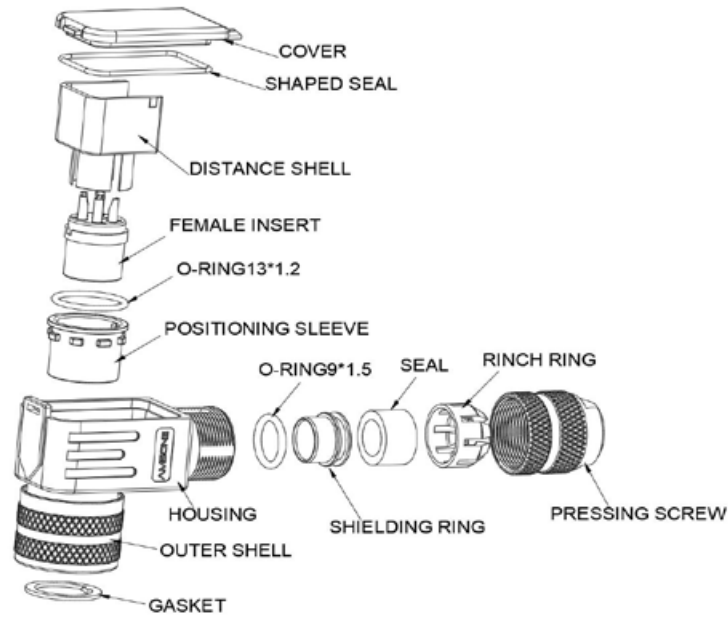
Pin assignment

Technical data

General		Electrical	
Standard	IEC61076-2-106	Rated current	5A
Locking system	Fix screw locking	Rated voltage	250V
Gender	Female	Rated Impulse voltage	1500V
Series	AM16	Insulation resistance	≥ 100 MΩ
Coding	A	EMC compliance	Shielded
Torque	0.6N.M	Degree of protection	IP67
Category	Field assembly	Mechanical operation	> 500 mating cycles
Connection type	Solder connection	Operating temperature	-25°C ~ 85°C
Wire gauge(max.)	0.75mm ² / 18AWG		
Cable outlet	6~8mm		
Custom tariff number	85444290		
Country of origin	China		

Material	
Flammability rating	Acc. to UL94V-0
Contact material	Brass with Gold plated
Insulation material	PA66
Ring nut material	Brass with Nickel plated
Sealing material	Silicone
Shell material	Zinc alloy with Nickel plated
Certificates	
UL	

No	Number of contacts	Cable specification and length	Ordering P/N
1	3A	variable	AM16F0314A002
2	4A		AM16F0414A002
3	5A		AM16F0514A002
4	6A		AM16F0614A002

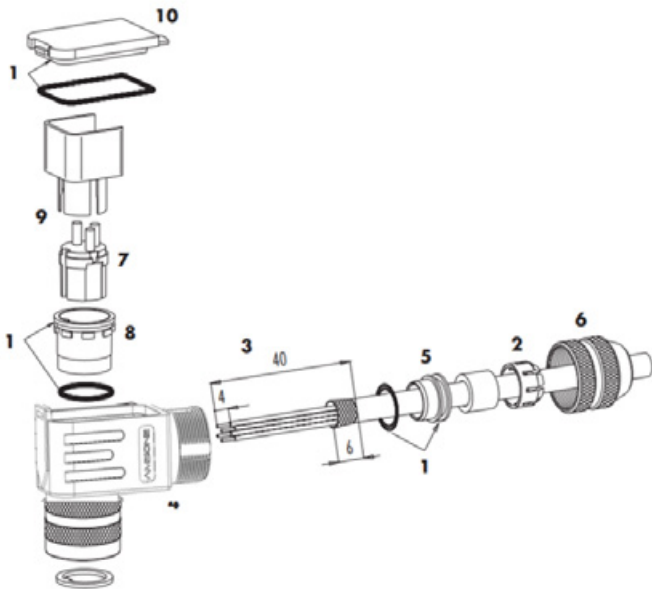


Connector part drawing

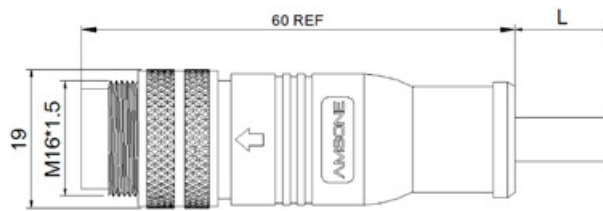
Assembly instructions

Installation steps

1. Assemble sealing rings (3x).
2. Bead cable parts.
3. Dismantle cable and shielding braid.
4. Push single wires through housing.
5. Mount shielding ring and pinch ring.
6. Slightly fix pressing screw.
7. Solder wires to insert.
8. Mount positioning sleeve in angled position.
9. Put in insert and distance sleeve.
10. Mount lid.
11. Fix pressing screw (approx. 10–20 Nm).



Product Description: M16 pre-molded cable connector, male, contacts:5,7,8, solder connection, straight, IP67, shieldable, UL certified



Illustration

Drawings

Pin assignment

Technical data

General

Standard	IEC61076-2-106
Locking system	Fix screw locking
Gender	Male
Series	AM16
Coding	A/B
Torque	0.6N.M
Category	Pre-molded cable
Connection type	Solder connection
Cable outlet	variable
Custom tariff number	85444290
Country of origin	China

Electrical

Rated current	5A
Rated voltage	60V
Rated Impulse voltage	800V
Insulation resistance	≥ 100 MΩ
EMC compliance	Shieldable
Degree of protection	IP67
Mechanical operation	> 500 mating cycles
Operating temperature	-25°C ~ 85°C


Cable

Cable type	UL Style
Conductor cross section	0.75mm ²
Wire gauge	18AWG
Jacket	PVC/TPU
Temperature	-25°C ~ 85°C
Other resistance	UV resistant (720 h) UL 2556 Premium oil resistance (jacket)
Wire colour	variable
Length	variable

Material

Flammability rating	Acc. to UL94V-0
Contact material	Brass with Gold plated
Insulation material	PA66
Ring nut material	Brass with Nickel plated
Sealing material	Silicone
Molding material	PVC/TPU

Certificates

UL 

No Number of contacts

1	5B
2	7B
3	8A

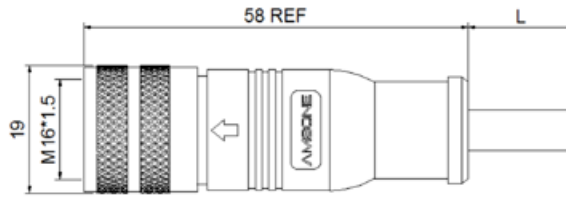
Cable specification and length

variable

Ordering P/N

AM16M0511BXXX-XXX
AM16M0711BXXX-XXX
AM16M0811AXXX-XXX

Product Description: M16 pre-molded cable connector, female, contacts: 5, 7, 8, solder connection, straight, IP67, shieldable, UL certified



Illustration

Drawings

Pin assignment

Technical data

General

Standard	IEC61076-2-106
Locking system	Fix screw locking
Gender	Female
Series	AM16
Coding	A/B
Torque	0.6N.M
Category	Pre-molded cable
Connection type	Solder connection
Cable outlet	variable
Custom tariff number	85444290
Country of origin	China

Electrical

Rated current	5A
Rated voltage	60V
Rated Impulse voltage	800V
Insulation resistance	≥ 100 MΩ
EMC compliance	Shieldable
Degree of protection	IP67
Mechanical operation	> 500 mating cycles
Operating temperature	-25°C ~ 85°C

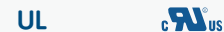
Cable

Cable type	UL Style
Conductor cross section	0.75mm ²
Wire gauge	18AWG
Jacket	PVC/TPU
Temperature	-25°C ~ 85°C
Other resistance	UV resistant (720 h) UL 2556 Premium oil resistance (jacket)
Wire colour	variable
Length	variable

Material

Flammability rating	Acc. to UL94V-0
Contact material	Brass with Gold plated
Insulation material	PA66
Ring nut material	Brass with Nickel plated
Sealing material	Silicone
Molding material	PVC/TPU

Certificates



No Number of contacts

1	5B
2	7B
3	8A

Cable specification and length

variable

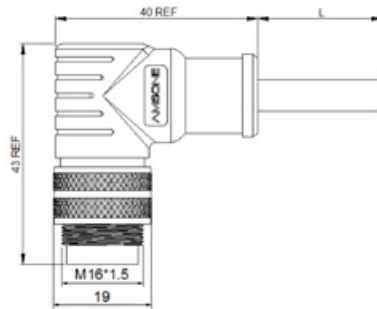
Ordering P/N

AM16F0511BXXX-XXX
AM16F0711BXXX-XXX
AM16F0811AXXX-XXX

Product Description: M16 pre-molded cable connector, male, contacts:5,7,8, solder connection, right angled, IP67, shieldable, UL certified



Illustration



Drawings



Pin assignment

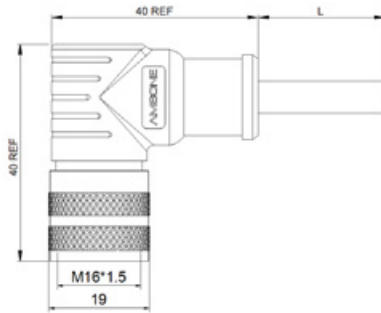
Technical data

General Standard IEC61076-2-106 Locking system Fix screw locking Gender Male Series AM16 Coding A/B Torque 0.6N.M Category Pre-molded cable Connection type Solder connection Cable outlet variable Custom tariff number 85444290 Country of origin China		Electrical Rated current 5A Rated voltage 60V Rated Impulse voltage 800V Insulation resistance $\geq 100 \text{ M}\Omega$ EMC compliance Shieldable Degree of protection IP67 Mechanical operation > 500 mating cycles Operating temperature $-25^{\circ}\text{C} \sim 85^{\circ}\text{C}$	
Cable Cable type UL Style Conductor cross section 0.75mm^2 Wire gauge 18AWG Jacket PVC/TPU Temperature $-25^{\circ}\text{C} \sim 85^{\circ}\text{C}$ Other resistance UV resistant (720 h) UL 2556 Premium oil resistance (jacket) Wire colour variable Length variable		Material Flammability rating Acc. to UL94V-0 Contact material Brass with Gold plated Insulation material PA66 Ring nut material Brass with Nickel plated Sealing material Silicone Molding material PVC/TPU Certificates UL 	
No Number of contacts 1 5B 2 7B 3 8A		Cable specification and length variable Ordering P/N AM16M0511BXXX-XXX AM16M0711BXXX-XXX AM16M0811AXXX-XXX	

Product Description: M16 pre-molded cable connector, female, contacts:5,7,8, solder connection, right angled, IP67, shieldable, UL certified



Illustration



Drawings



Pin assignment

Technical data

General

Standard	IEC61076-2-106
Locking system	Fix screw locking
Gender	Female
Series	AM16
Coding	A/B
Torque	0.6N.M
Category	Pre-molded cable
Connection type	Solder connection
Cable outlet	variable
Custom tariff number	85444290
Country of origin	China

Electrical

Rated current	5A
Rated voltage	60V
Rated Impulse voltage	800V
Insulation resistance	≥ 100 MΩ
EMC compliance	Shieldable
Degree of protection	IP67
Mechanical operation	> 500 mating cycles
Operating temperature	-25°C ~ 85°C

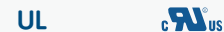
Cable

Cable type	UL Style
Conductor cross section	0.75mm ²
Wire gauge	18AWG
Jacket	PVC/TPU
Temperature	-25°C ~ 85°C
Other resistance	UV resistant (720 h) UL 2556 Premium oil resistance (jacket)
Wire colour	variable
Length	variable

Material

Flammability rating	Acc. to UL94V-0
Contact material	Brass with Gold plated
Insulation material	PA66
Ring nut material	Brass with Nickel plated
Sealing material	Silicone
Molding material	PVC/TPU

Certificates



No Number of contacts

1	5B
2	7B
3	8A

Cable specification and length

variable

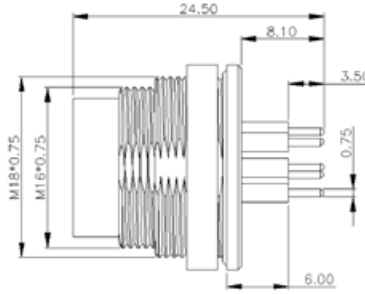
Ordering P/N

AM16F0511BXXX-XXX
AM16F0711BXXX-XXX
AM16F0811AXXX-XXX

Product Description: M16 panel receptacle, rear mount, male, contacts:5,7,8, PCB dip-solderconnection, straight, IP67, UL certified



Illustration



Drawings



Pin assignment

Technical data

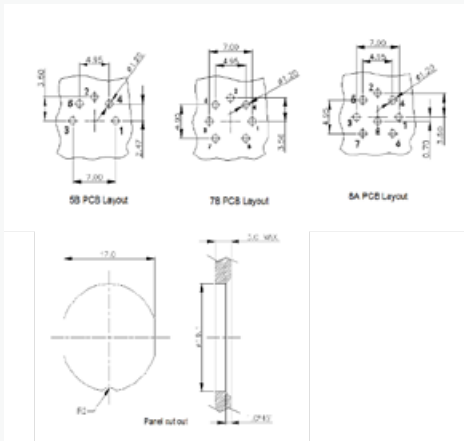
General

Standard	IEC61076-2-106
Locking system	Fix screw locking
Gender	Male
Series	AM16
Coding	A/B
Torque	3N.M
Category	Device connector, rear mount
Connection type	PCB dip-solder connection
Custom tariff number	85444290
Country of origin	China

Electrical

Rated current	5A
Rated voltage	60V
Rated Impulse voltage	800V
Insulation resistance	≥ 100 MΩ
EMC compliance	/
Degree of protection	IP67
Mechanical operation	> 500 mating cycles
Operating temperature	-25°C ~ 85°C

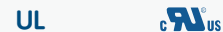
Panel cut-out



Material

Flammability rating	Acc. to UL94V-0
Contact material	Brass with Gold plated
Insulation material	PA66
Jam nut material	Brass with Nickel plated
Sealing material	Silicone
Shell material	Zinc alloy with Nickel plated

Certificates



No Number of contacts

1	5B
2	7B
3	8A

Cable specification and length

M18*0.75

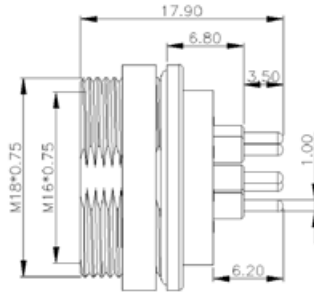
Ordering P/N

AM16M0522B001
AM16M0722B001
AM16M0822A001

Product Description: M16 panel receptacle, rear mount, female, contacts:5,7,8, PCB dip-solder connection, straight, IP67, UL certified



Illustration



Drawings



Pin assignment

Technical data

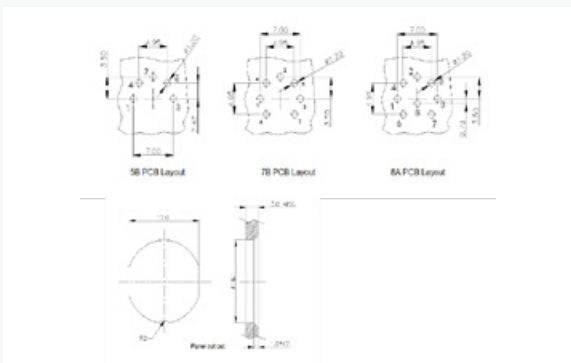
General

Standard	IEC61076-2-106
Locking system	Fix screw locking
Gender	Female
Series	AM16
Coding	A/B
Torque	3N.M
Category	Device connector, rear mount
Connection type	PCB dip-solder connection
Custom tariff number	85444290
Country of origin	China

Electrical

Rated current	5A
Rated voltage	60V
Rated Impulse voltage	800V
Insulation resistance	≥ 100 MΩ
EMC compliance	/
Degree of protection	IP67
Mechanical operation	> 500 mating cycles
Operating temperature	-25°C ~ 85°C

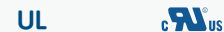
Panel cut-out



Material

Flammability rating	Acc. to UL94V-0
Contact material	Brass with Gold plated
Insulation material	PA66
Jam nut material	Brass with Nickel plated
Sealing material	Silicone
Shell material	Zinc alloy with Nickel plated

Certificates



No Number of contacts

1	5B
2	7B
3	8A

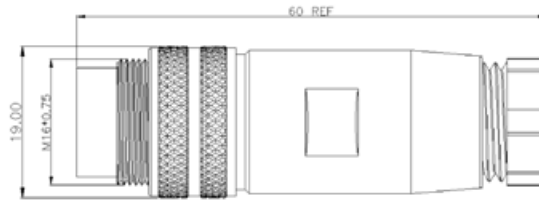
Cable specification and length

M18*0.75

Ordering P/N

AM16F0522B001
AM16F0722B001
AM16F0822A002

Product Description: M16 cable connector, male, contacts:5,7,8,field assembly type, solder connection, straight, IP67,UL certified



Illustration

Drawings

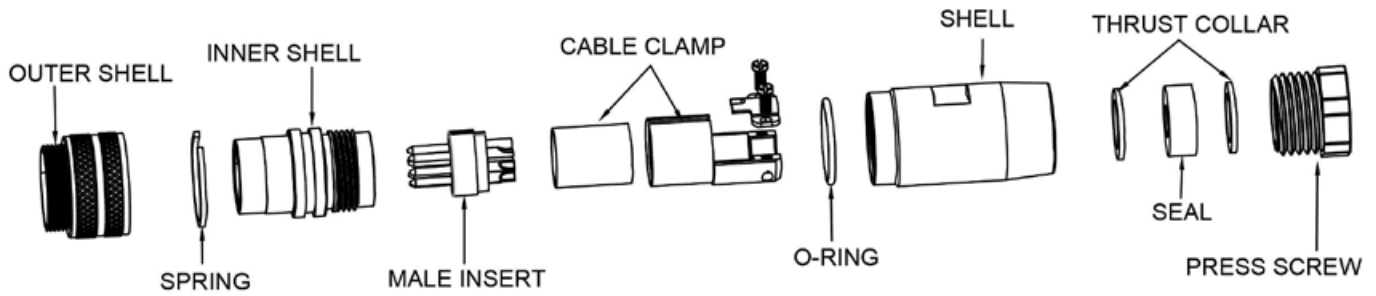
Pin assignment

Technical data

General		Electrical	
Standard	IEC61076-2-106	Rated current	5A
Locking system	Fix screw locking	Rated voltage	60V
Gender	Male	Rated Impulse voltage	800V
Series	AM16	Insulation resistance	≥ 100 MΩ
Coding	A/B	EMC compliance	Shielded
Torque	0.6N.M	Degree of protection	IP67
Category	Field assembly	Mechanical operation	> 500 mating cycles
Connection type	Solder connection	Operating temperature	-25°C ~ 85°C
Wire gauge(max.)	0.75mm ² / 18AWG		
Cable outlet	6~8mm		
Custom tariff number	85444290		
Country of origin	China		

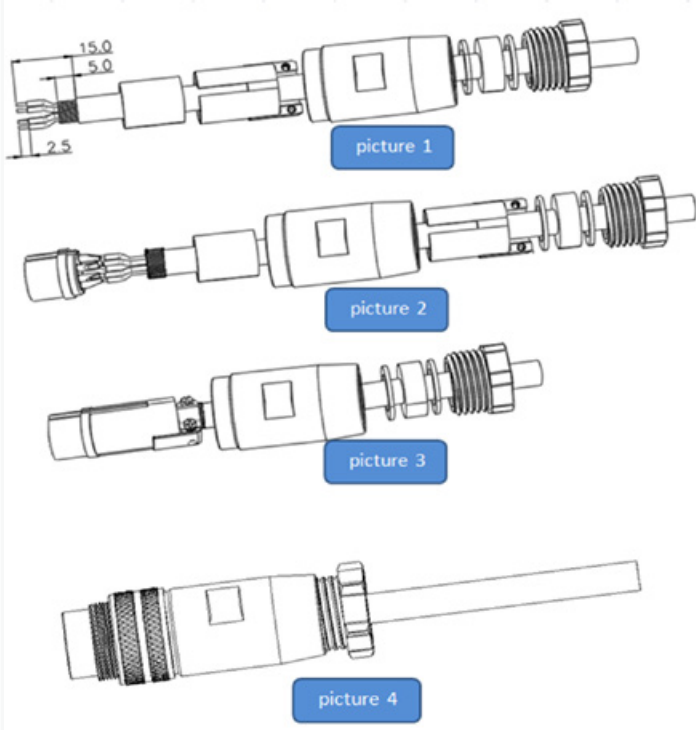
Material	
Flammability rating	Acc. to UL94V-0
Contact material	Brass with Gold plated
Insulation material	PA66
Ring nut material	Brass with Nickel plated
Sealing material	Silicone
Shell material	Brass with Nickel plated
Certificates	
	UL 

No	Number of contacts	Cable specification and length	Ordering P/N
1	5B	variable	AM16M0514B001
2	7B		AM16M0714B001
3	8A		AM16M0814A001



Connector part drawing

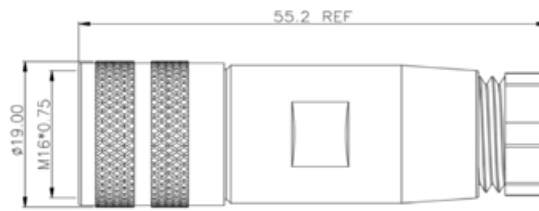
Assembly instructions



Installation steps

1. Strip the external sheath :15mm.
2. Leave 5mm for braid and cut off the excess.
3. Strip the conductor insulation:2.5mm.
- 4.push the part onto the cable in sequence(as shown picture 1).
- 5.Solder the conductors to the contacts and unbraid the braided screen and push it back.(as shown picture2).
- 6.Assemble the cable clip and insert, and lock the screw to fix the cable (as shown picture 3).
- 7.Put the insert into the shell and assemble other parts (as shown picture 4)

Product Description: M16 cable connector, female, contacts:5,7,8,field assembly type, solder connection, straight, IP67, UL certified



Illustration

Drawings

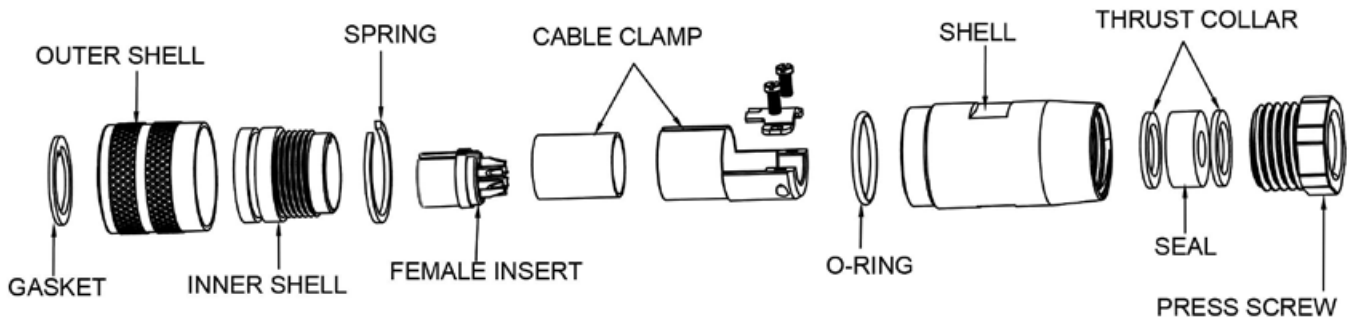
Pin assignment

Technical data

General		Electrical	
Standard	IEC61076-2-106	Rated current	5A
Locking system	Fix screw locking	Rated voltage	60V
Gender	Female	Rated Impulse voltage	800V
Series	AM16	Insulation resistance	$\geq 100 \text{ M}\Omega$
Coding	A/B	EMC compliance	Shielded
Torque	0.6N.M	Degree of protection	IP67
Category	Field assembly	Mechanical operation	> 500 mating cycles
Connection type	Solder connection	Operating temperature	-25 °C ~ 85 °C
Wire gauge(max.)	0.75mm ² / 18AWG		
Cable outlet	6~8mm		
Custom tariff number	85444290		
Country of origin	China		

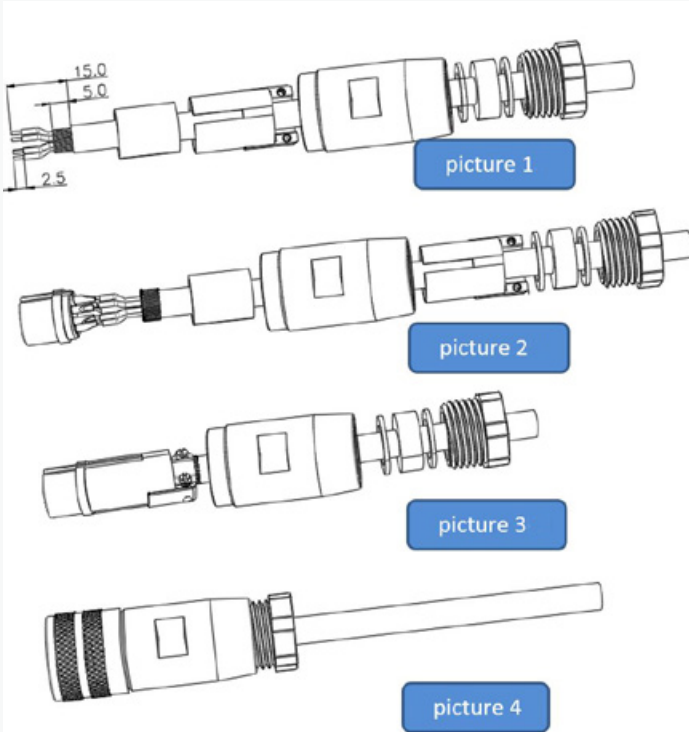
Material	
Flammability rating	Acc. to UL94V-0
Contact material	Brass with Gold plated
Insulation material	PA66
Ring nut material	Brass with Nickel plated
Sealing material	Silicone
Shell material	Brass with Nickel plated
Certificates	
	UL 

No	Number of contacts	Cable specification and length	Ordering P/N
1	5B	variable	AM16F0514B001
2	7B		AM16F0714B001
3	8A		AM16F0814A001



Connector part drawing

Assembly instructions



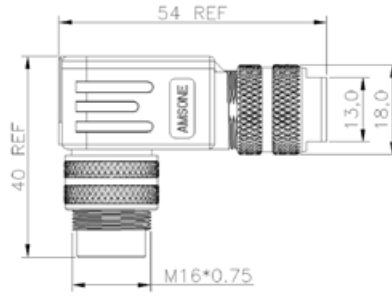
Installation steps

1. Strip the external sheath :15mm.
2. Leave 5mm for braid and cut off the excess.
3. Strip the conductor insulation:2.5mm.
- 4.push the part onto the cable in sequence(as shown picture 1).
- 5.Solder the conductors to the contacts and unbraid the braided screen and push it back.(as shown picture2).
- 6.Assemble the cable clip and insert, and lock the screw to fix the cable (as shown picture 3).
- 7.Put the insert into the shell and assemble other parts (as shown picture 4)

Product Description: M16 cable connector, male, contacts:5,7,8,field assembly type, solder connection, right angled, IP67, UL certified



Illustration



Drawings



Pin assignment

Technical data

General

Standard	IEC61076-2-106
Locking system	Fix screw locking
Gender	Male
Series	AM16
Coding	A/B
Torque	0.6N.M
Category	Field assembly
Connection type	Solder connection
Wire gauge(max.)	0.75mm ² / 18AWG
Cable outlet	6~8mm
Custom tariff number	85444290
Country of origin	China

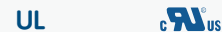
Electrical

Rated current	5A
Rated voltage	250V
Rated Impulse voltage	1500V
Insulation resistance	≥ 100 MΩ
EMC compliance	Shielded
Degree of protection	IP67
Mechanical operation	> 500 mating cycles
Operating temperature	-25°C ~ 85°C

Material

Flammability rating	Acc. to UL94V-0
Contact material	Brass with Gold plated
Insulation material	PA66
Ring nut material	Brass with Nickel plated
Sealing material	Silicone
Shell material	Zinc alloy with Nickel plated

Certificates



No Number of contacts

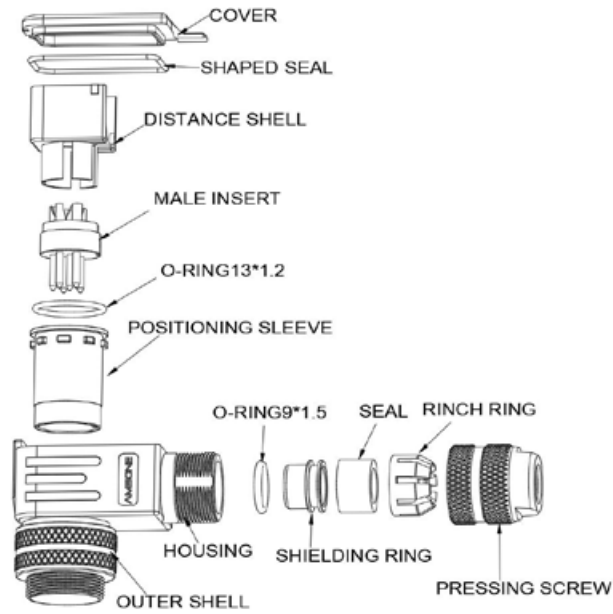
1	5B
2	7B
3	8A

Cable specification and length

variable

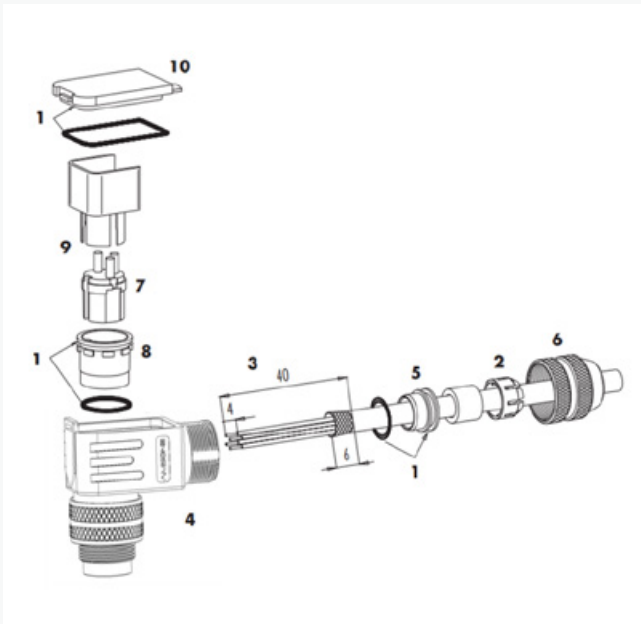
Ordering P/N

AM16M0514B002
AM16M0714B002
AM16M0814A002



Connector part drawing

Assembly instructions



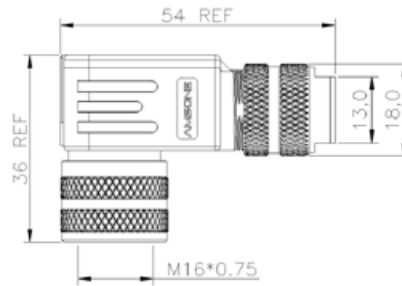
Installation steps

1. Assemble sealing rings (3x).
2. Bead cable parts.
3. Dismantle cable and shielding braid.
4. Push single wires through housing.
5. Mount shielding ring and pinch ring.
6. Slightly fix pressing screw.
7. Solder wires to insert.
8. Mount positioning sleeve in angled position.
9. Put in insert and distance sleeve.
10. Mount lid.
11. Fix pressing screw (approx. 10–20 Nm).

Product Description: M16 cable connector, female, contacts:5,7,8,field assembly type,solder connection, right angled, IP67, UL certified



Illustration



Drawings



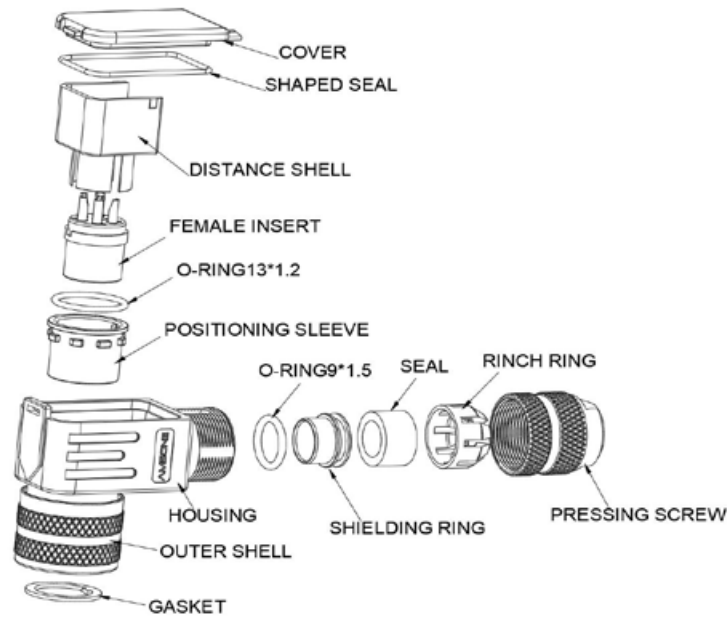
Pin assignment

Technical data

General		Electrical	
Standard	IEC61076-2-106	Rated current	5A
Locking system	Fix screw locking	Rated voltage	60V
Gender	Female	Rated Impulse voltage	800V
Series	AM16	Insulation resistance	≥ 100 MΩ
Coding	A/B	EMC compliance	Shielded
Torque	0.6N.M	Degree of protection	IP67
Category	Field assembly	Mechanical operation	> 500 mating cycles
Connection type	Solder connection	Operating temperature	-25°C ~ 85°C
Wire gauge(max.)	0.75mm ² / 18AWG		
Cable outlet	6~8mm		
Custom tariff number	85444290		
Country of origin	China		

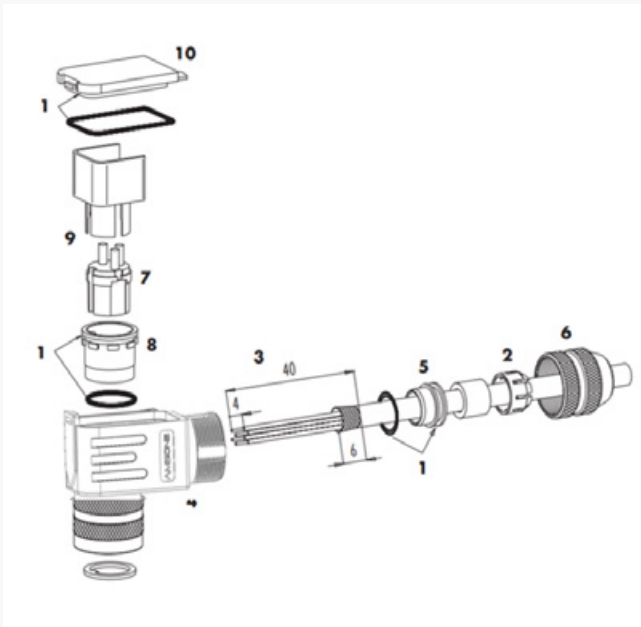
Material	
Flammability rating	Acc. to UL94V-0
Contact material	Brass with Gold plated
Insulation material	PA66
Ring nut material	Brass with Nickel plated
Sealing material	Silicone
Shell material	Zinc alloy with Nickel plated
Certificates	
	UL 

No	Number of contacts	Cable specification and length	Ordering P/N
1	5B	variable	AM16F0514B002
2	7B		AM16F0714B002
3	8A		AM16F0814A002



Connector part drawing

Assembly instructions



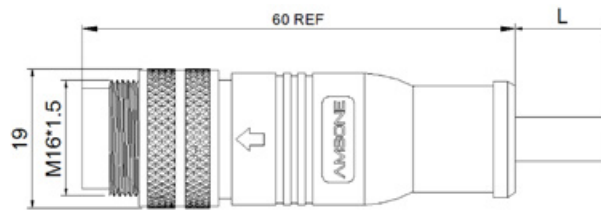
Installation steps

1. Assemble sealing rings (3x).
2. Bead cable parts.
3. Dismantle cable and shielding braid.
4. Push single wires through housing.
5. Mount shielding ring and pinch ring.
6. Slightly fix pressing screw.
7. Solder wires to insert.
8. Mount positioning sleeve in angled position.
9. Put in insert and distance sleeve.
10. Mount lid.
11. Fix pressing screw (approx. 10–20 Nm).

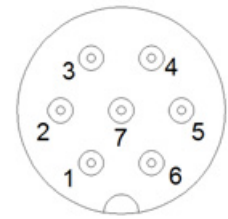
Product Description: M16 pre-molded cable connector, male, contacts:7, solder connection, straight, IP67, shieldable, UL certified



Illustration



Drawings



Pin assignment

Technical data

General

Standard	IEC61076-2-106
Locking system	Fix screw locking
Gender	Male
Series	AM16
Coding	A
Torque	0.6N.M
Category	Pre-molded cable
Connection type	Solder connection
Cable outlet	variable
Custom tariff number	85444290
Country of origin	China

Electrical

Rated current	5A
Rated voltage	125V
Rated Impulse voltage	800V
Insulation resistance	≥ 100 MΩ
EMC compliance	Shieldable
Degree of protection	IP67
Mechanical operation	> 500 mating cycles
Operating temperature	-25°C ~ 85°C


Cable

Cable type	UL Style
Conductor cross section	0.75mm ²
Wire gauge	18AWG
Jacket	PVC/TPU
Temperature	-25°C ~ 85°C
Other resistance	UV resistant (720 h) UL 2556 Premium oil resistance (jacket)
Wire colour	variable
Length	variable

Material

Flammability rating	Acc. to UL94V-0
Contact material	Brass with Gold plated
Insulation material	PA66
Ring nut material	Brass with Nickel plated
Sealing material	Silicone
Molding material	PVC/TPU

Certificates

UL 

No Number of contacts

1 7A

Cable specification and length

variable

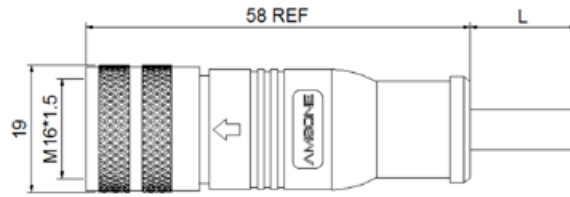
Ordering P/N

AM16M0711AXXX-XXX

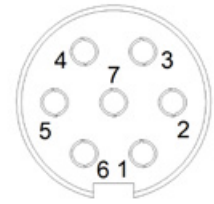
Product Description: M16 pre-molded cable connector, female, contacts:7, solder connection, straight, IP67, shieldable, UL certified



Illustration




Drawings



Pin assignment

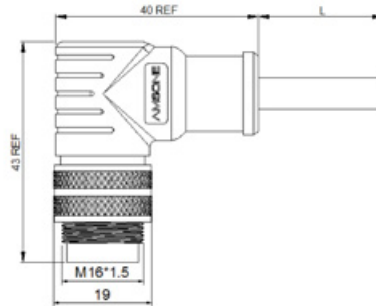
Technical data

General Standard IEC61076-2-106 Locking system Fix screw locking Gender Female Series AM16 Coding A Torque 0.6N.M Category Pre-molded cable Connection type Solder connection Cable outlet variable Custom tariff number 85444290 Country of origin China		Electrical Rated current 5A Rated voltage 125V Rated Impulse voltage 800V Insulation resistance $\geq 100 \text{ M}\Omega$ EMC compliance Shieldable Degree of protection IP67 Mechanical operation > 500 mating cycles Operating temperature $-25^{\circ}\text{C} \sim 85^{\circ}\text{C}$	
Cable Cable type UL Style Conductor cross section 0.75mm^2 Wire gauge 18AWG Jacket PVC/TPU Temperature $-25^{\circ}\text{C} \sim 85^{\circ}\text{C}$ Other resistance UV resistant (720 h) UL 2556 Premium oil resistance (jacket) Wire colour variable Length variable		Material Flammability rating Acc. to UL94V-0 Contact material Brass with Gold plated Insulation material PA66 Ring nut material Brass with Nickel plated Sealing material Silicone Molding material PVC/TPU Certificates UL 	
No Number of contacts 1 7A		Cable specification and length variable	
		Ordering P/N AM16F0711AXXX-XXX	

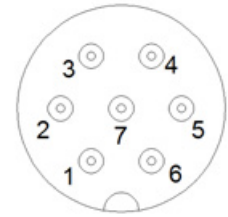
Product Description: M16 pre-molded cable connector, male, contacts:7, solder connection, right angled, IP67, shieldable, UL certified



Illustration



Drawings



Pin assignment

Technical data

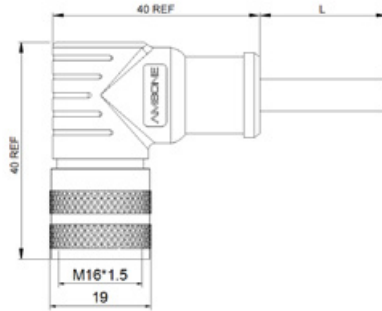
General Standard IEC61076-2-106 Locking system Fix screw locking Gender Male Series AM16 Coding A Torque 0.6N.M Category Pre-molded cable Connection type Solder connection Cable outlet variable Custom tariff number 85444290 Country of origin China		Electrical Rated current 5A Rated voltage 125V Rated Impulse voltage 800V Insulation resistance $\geq 100 \text{ M}\Omega$ EMC compliance Shieldable Degree of protection IP67 Mechanical operation > 500 mating cycles Operating temperature $-25^{\circ}\text{C} \sim 85^{\circ}\text{C}$	
Cable Cable type UL Style Conductor cross section 0.75mm^2 Wire gauge 18AWG Jacket PVC/TPU Temperature $-25^{\circ}\text{C} \sim 85^{\circ}\text{C}$ Other resistance UV resistant (720 h) UL 2556 Premium oil resistance (jacket) Wire colour variable Length variable		Material Flammability rating Acc. to UL94V-0 Contact material Brass with Gold plated Insulation material PA66 Ring nut material Brass with Nickel plated Sealing material Silicone Molding material PVC/TPU Certificates UL 	

No Number of contacts		Cable specification and length	Ordering P/N
1	7A	variable	AM16M0711AXXX-XXX

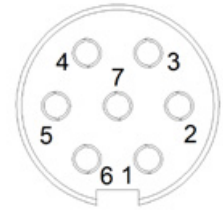
Product Description: M16 pre-molded cable connector, female, contacts:7, solder connection, right angled, IP67, shieldable, UL certified



Illustration




Drawings



Pin assignment

Technical data

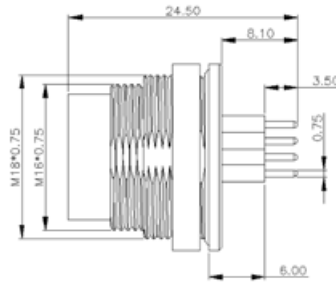
General Standard IEC61076-2-106 Locking system Fix screw locking Gender Female Series AM16 Coding A Torque 0.6N.M Category Pre-molded cable Connection type Solder connection Cable outlet variable Custom tariff number 85444290 Country of origin China		Electrical Rated current 5A Rated voltage 125V Rated Impulse voltage 800V Insulation resistance $\geq 100 \text{ M}\Omega$ EMC compliance Shieldable Degree of protection IP67 Mechanical operation > 500 mating cycles Operating temperature $-25^{\circ}\text{C} \sim 85^{\circ}\text{C}$	
Cable Cable type UL Style Conductor cross section 0.75mm^2 Wire gauge 18AWG Jacket PVC/TPU Temperature $-25^{\circ}\text{C} \sim 85^{\circ}\text{C}$ Other resistance UV resistant (720 h) UL 2556 Premium oil resistance (jacket) Wire colour variable Length variable		Material Flammability rating Acc. to UL94V-0 Contact material Brass with Gold plated Insulation material PA66 Ring nut material Brass with Nickel plated Sealing material Silicone Molding material PVC/TPU Certificates UL 	

No Number of contacts		Cable specification and length	Ordering P/N
1	7A	variable	AM16F0711AXXX-XXX

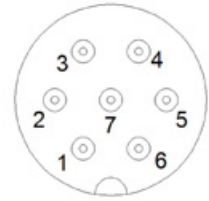
Product Description: M16 panel receptacle, rear mount, male, contacts:7, PCB dip-solder connection, straight, IP67, UL certified



Illustration



Drawings



Pin assignment

Technical data

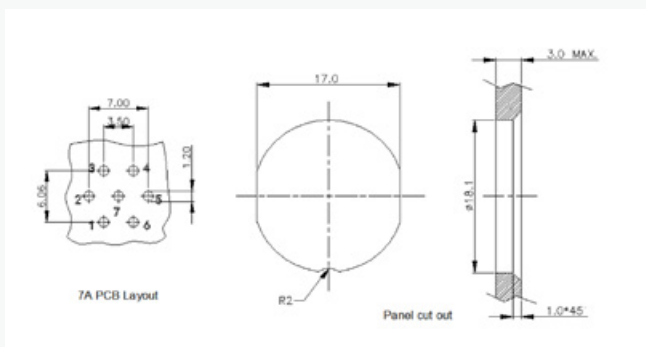
General

Standard	IEC61076-2-106
Locking system	Fix screw locking
Gender	Male
Series	AM16
Coding	A
Torque	3N.M
Category	Device connector, rear mount
Connection type	PCB dip-solder connection
Wire gauge (max.)	/
Cable outlet	/
Custom tariff number	85444290
Country of origin	China

Electrical

Rated current	5A
Rated voltage	125V
Rated Impulse voltage	800V
Insulation resistance	≥ 100 MΩ
EMC compliance	/
Degree of protection	IP67
Mechanical operation	> 500 mating cycles
Operating temperature	-25°C ~ 85°C

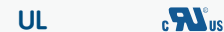
Panel cut-out



Material

Flammability rating	Acc. to UL94V-0
Contact material	Brass with Gold plated
Insulation material	PA66
Jam nut material	Brass with Nickel plated
Sealing material	Silicone
Shell material	Zinc alloy with Nickel plated

Certificates



NoNumber of contacts

1 7A

Fastening thread

M18*0.75

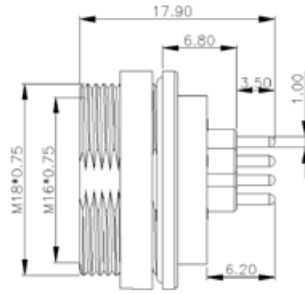
Ordering P/N

AM16M0722A001

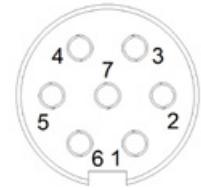
Product Description: M16 panel receptacle, rear mount, female, contacts:7, PCB dip-solder connection, straight, IP67, UL certified



Illustration



Drawings



Pin assignment

Technical data

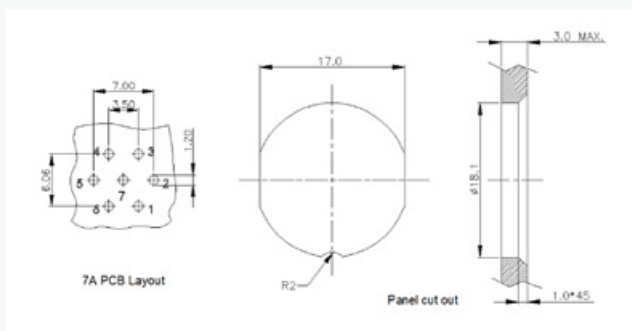
General

Standard	IEC61076-2-106
Locking system	Fix screw locking
Gender	Female
Series	AM16
Coding	A
Torque	3N.M
Catogory	Device connector, rear mount
Connection type	PCB dip-solder connection
Wire gauge (max.)	/
Cable outlet	/
Custom tariff number	85444290
Country of origin	China

Electrical

Rated current	5A
Rated voltage	125V
Rated Impulse voltage	800V
Insulation resistance	≥ 100 MΩ
EMC compliance	/
Degree of protection	IP67
Mechanical operation	> 500 mating cycles
Operating temperature	-25°C ~ 85°C

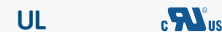
Panel cut-out



Material

Flammability rating	Acc. to UL94V-0
Contact material	Brass with Gold plated
Insulation material	PA66
Jam nut material	Brass with Nickel plated
Sealing material	Silicone
Shell material	Zinc alloy with Nickel plated

Certificates



No Number of contacts

1 7A

Fastening thread

M18*0.75

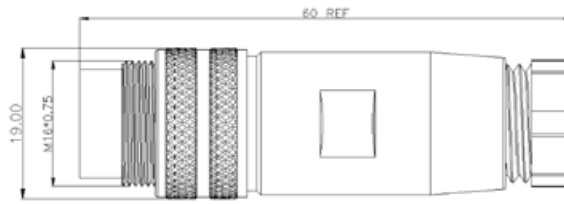
Ordering P/N

A M 1 6 F 0 7 2 2 A 0 0 1

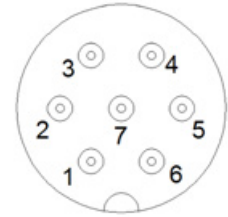
Product Description: M16 cable connector, male, contacts:7, field assembly type, solder connection, straight, IP67, UL certified



Illustration



Drawings



Pin assignment

Technical data

General

Standard	IEC61076-2-106
Locking system	Fix screw locking
Gender	Male
Series	AM16
Coding	A
Torque	0.6N.M
Category	Field assembly
Connection type	Solder connection
Wire gauge(max.)	0.75mm ² / 18AWG
Cable outlet	6~8mm
Custom tariff number	85444290
Country of origin	China

Electrical

Rated current	5A
Rated voltage	125V
Rated Impulse voltage	800V
Insulation resistance	≥ 100 MΩ
EMC compliance	Shielded
Degree of protection	IP67
Mechanical operation	> 500 mating cycles
Operating temperature	-25°C ~ 85°C

Material

Flammability rating	Acc. to UL94V-0
Contact material	Brass with Gold plated
Insulation material	PA66
Ring nut material	Brass with Nickel plated
Sealing material	Silicone
Shell material	Brass with Nickel plated

Certificates

UL



No Number of contacts

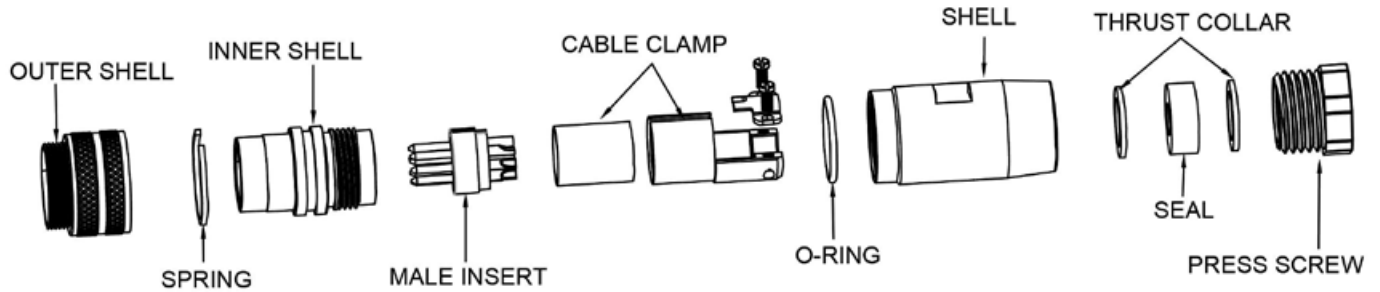
1 7A

Fastening thread

variable

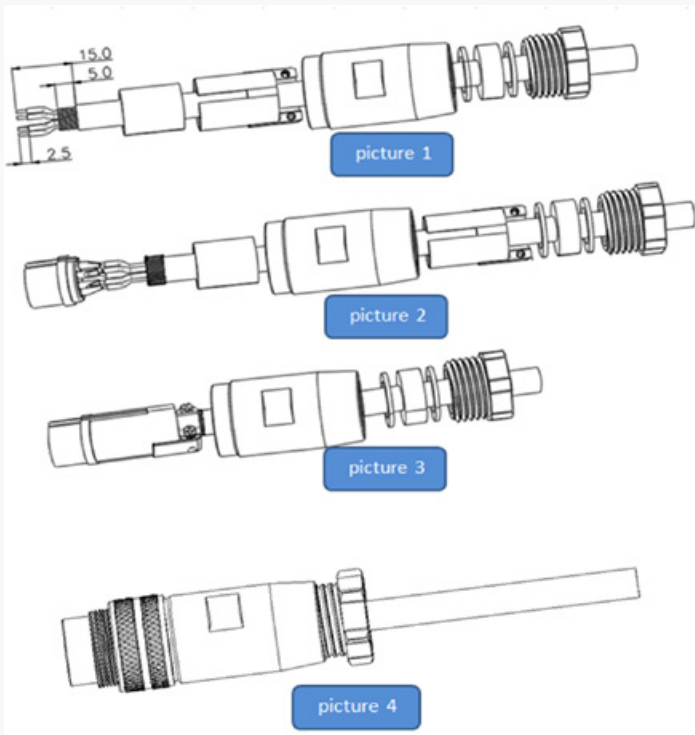
Ordering P/N

AM16M0714A001



Connector part drawing

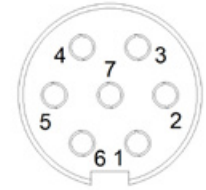
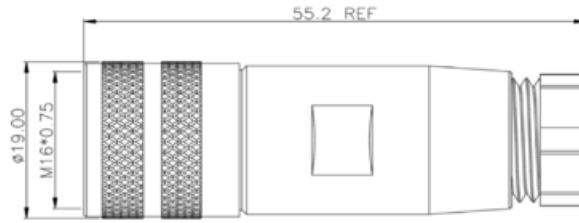
Assembly instructions



Installation steps

1. Strip the external sheath :15mm.
2. Leave 5mm for braid and cut off the excess.
3. Strip the conductor insulation:2.5mm.
- 4.push the part onto the cable in sequence(as shown picture 1).
- 5.Solder the conductors to the contacts and unbraid the braided screen and push it back.(as shown picture2).
- 6.Assemble the cable clip and insert, and lock the screw to fix the cable (as shown picture 3).
- 7.Put the insert into the shell and assemble other parts (as shown picture 4)

Product Description: M16 cable connector, female, contacts:7, field assembly type, solder connection, straight, IP67, UL certified



Illustration

Drawings

Pin assignment

Technical data

General

Standard	IEC61076-2-106
Locking system	Fix screw locking
Gender	Female
Series	AM16
Coding	A
Torque	0.6N.M
Category	Field assembly
Connection type	Solder connection
Wire gauge(max.)	0.75mm ² / 18AWG
Cable outlet	6~8mm
Custom tariff number	85444290
Country of origin	China

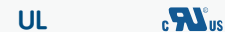
Electrical

Rated current	5A
Rated voltage	125V
Rated Impulse voltage	800V
Insulation resistance	≥ 100 MΩ
EMC compliance	Shielded
Degree of protection	IP67
Mechanical operation	> 500 mating cycles
Operating temperature	-25°C ~ 85°C

Material

Flammability rating	Acc. to UL94V-0
Contact material	Brass with Gold plated
Insulation material	PA66
Ring nut material	Brass with Nickel plated
Sealing material	Silicone
Shell material	Brass with Nickel plated

Certificates



No Number of contacts

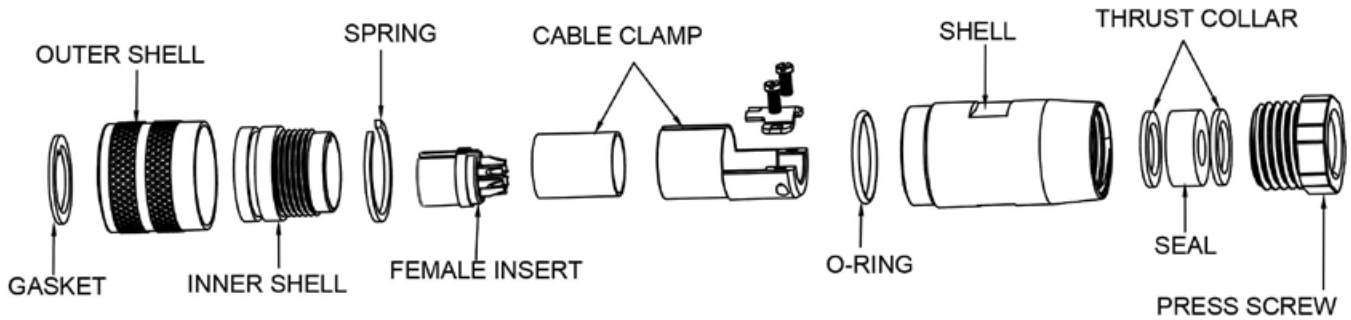
1 7A

Cable specification and length

variable

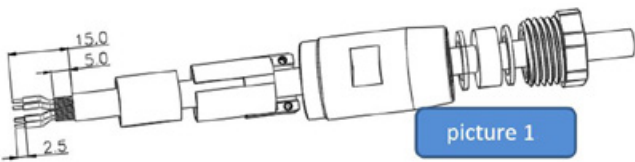
Ordering P/N

AM16F0714A001

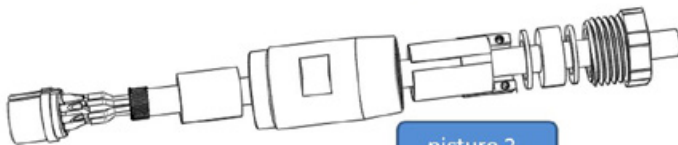


Connector part drawing

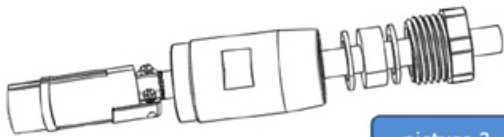
Assembly instructions



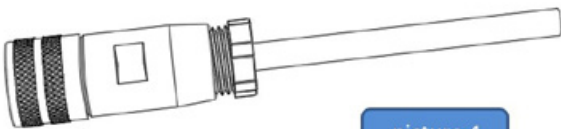
picture 1



picture 2



picture 3



picture 4

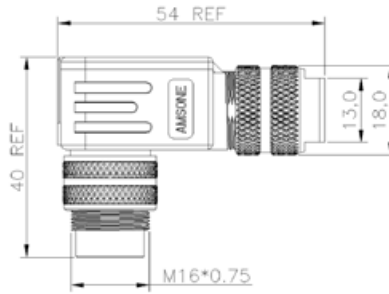
Installation steps

1. Strip the external sheath :15mm.
2. Leave 5mm for braid and cut off the excess.
3. Strip the conductor insulation:2.5mm.
- 4.push the part onto the cable in sequence(as shown picture 1).
- 5.Solder the conductors to the contacts and unbraid the braided screen and push it back.(as shown picture2).
- 6.Assemble the cable clip and insert, and lock the screw to fix the cable (as shown picture 3).
- 7.Put the insert into the shell and assemble other parts (as shown picture 4)

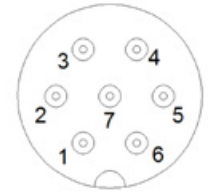
Product Description: M16 cable connector, male, contacts:7, field assembly type, solder connection, right angled, IP67, UL certified



Illustration



Drawings



Pin assignment

Technical data

General

Standard	IEC61076-2-106
Locking system	Fix screw locking
Gender	Male
Series	AM16
Coding	A
Torque	0.6N.M
Category	Field assembly
Connection type	Solder connection
Wire gauge(max.)	0.75mm ² / 18AWG
Cable outlet	6~8mm
Custom tariff number	85444290
Country of origin	China

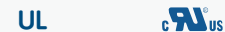
Electrical

Rated current	5A
Rated voltage	125V
Rated Impulse voltage	800V
Insulation resistance	≥ 100 MΩ
EMC compliance	Shielded
Degree of protection	IP67
Mechanical operation	> 500 mating cycles
Operating temperature	-25°C ~ 85°C

Material

Flammability rating	Acc. to UL94V-0
Contact material	Brass with Gold plated
Insulation material	PA66
Ring nut material	Brass with Nickel plated
Sealing material	Silicone
Shell material	Zinc alloy with Nickel plated

Certificates



No Number of contacts

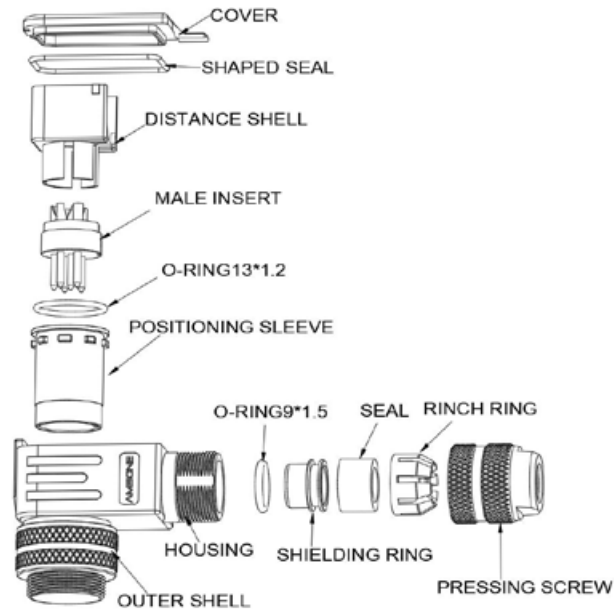
1 7A

Cable specification and length

variable

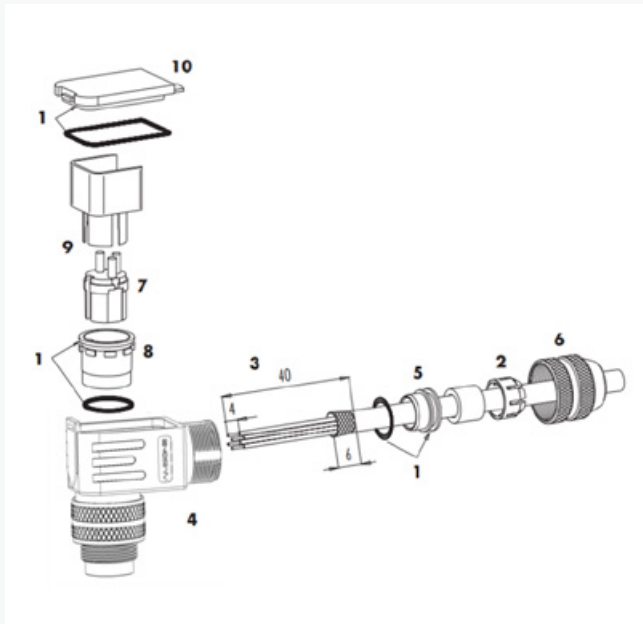
Ordering P/N

AM16M0714A002



Connector part drawing

Assembly instructions



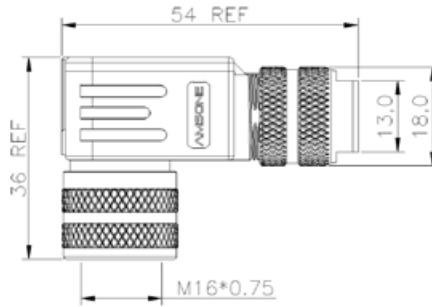
Installation steps

1. Assemble sealing rings (3x).
2. Bead cable parts.
3. Dismantle cable and shielding braid.
4. Push single wires through housing.
5. Mount shielding ring and pinch ring.
6. Slightly fix pressing screw.
7. Solder wires to insert.
8. Mount positioning sleeve in angled position.
9. Put in insert and distance sleeve.
10. Mount lid.
11. Fix pressing screw (approx. 10–20 Nm).

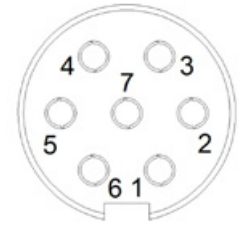
Product Description: M16 cable connector, female, contacts:7, field assembly type, solder connection, right angled, IP67,UL certified



Illustration



Drawings



Pin assignment

Technical data

General

Standard	IEC61076-2-106
Locking system	Fix screw locking
Gender	Female
Series	AM16
Coding	A
Torque	0.6N.M
Category	Field assembly
Connection type	Solder connection
Wire gauge(max.)	0.75mm ² / 18AWG
Cable outlet	6~8mm
Custom tariff number	85444290
Country of origin	China

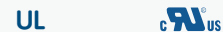
Electrical

Rated current	5A
Rated voltage	125V
Rated Impulse voltage	800V
Insulation resistance	≥ 100 MΩ
EMC compliance	Shielded
Degree of protection	IP67
Mechanical operation	> 500 mating cycles
Operating temperature	-25°C ~ 85°C

Material

Flammability rating	Acc. to UL94V-0
Contact material	Brass with Gold plated
Insulation material	PA66
Ring nut material	Brass with Nickel plated
Sealing material	Silicone
Shell material	Zinc alloy with Nickel plated

Certificates



No Number of contacts

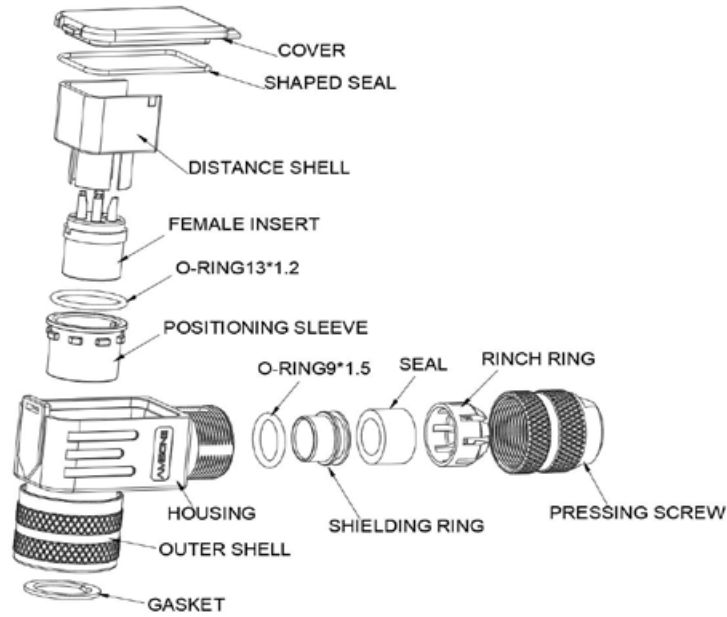
1 7A

Cable specification and length

variable

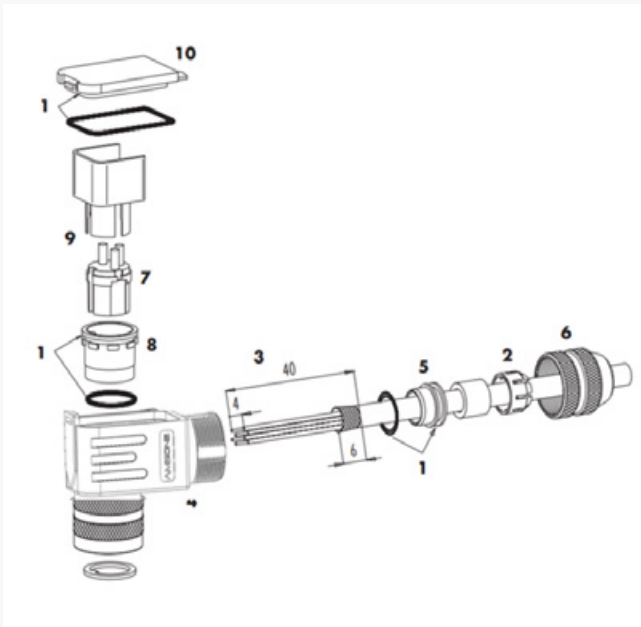
Ordering P/N

AM16M0714A002



Connector part drawing

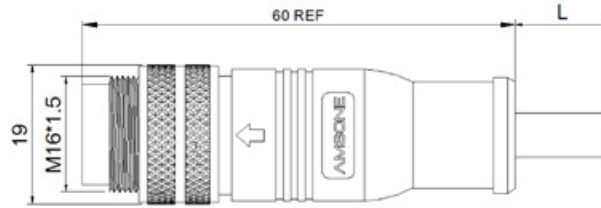
Assembly instructions



Installation steps

1. Assemble sealing rings (3x).
2. Bead cable parts.
3. Dismantle cable and shielding braid.
4. Push single wires through housing.
5. Mount shielding ring and pinch ring.
6. Slightly fix pressing screw.
7. Solder wires to insert.
8. Mount positioning sleeve in angled position.
9. Put in insert and distance sleeve.
10. Mount lid.
11. Fix pressing screw (approx. 10–20 Nm).

Product Description: M16 pre-molded cable connector, male, contacts:12,14,16,19, solder connection, straight, IP67, shieldable, UL certified



Illustration

Drawings

Pin assignment

Technical data

General

Standard	IEC61076-2-106
Locking system	Fix screw locking
Gender	Male
Series	AM16
Coding	A/B
Torque	0.6N.M
Category	Pre-molded cable
Connection type	Solder connection
Cable outlet	variable
Custom tariff number	85444290
Country of origin	China

Electrical

Rated current	3A
Rated voltage	60V
Rated Impulse voltage	800V
Insulation resistance	≥ 100 MΩ
EMC compliance	Shieldable
Degree of protection	IP67
Mechanical operation	> 500 mating cycles
Operating temperature	-25°C ~ 85°C

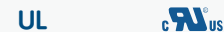
Cable

Cable type	UL Style
Conductor cross section	0.25mm ²
Wire gauge	24AWG
Jacket	PVC/TPU
Temperature	-25°C ~ 85°C
Other resistance	UV resistant (720 h) UL 2556 Premium oil resistance (jacket)
Wire colour	variable
Length	variable

Material

Flammability rating	Acc. to UL94V-0
Contact material	Brass with Gold plated
Insulation material	PA66
Ring nut material	Brass with Nickel plated
Sealing material	Silicone
Molding material	PVC/TPU

Certificates



No Number of contacts

Cable specification and length

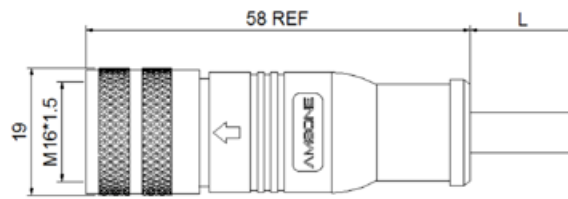
Ordering P/N

1	12A	variable	AM16M1211AXXX-XXX
2	14A		AM16M1411AXXX-XXX
3	14B		AM16M1411BXXX-XXX
4	16A		AM16M1611AXXX-XXX
5	19A		AM16M1911AXXX-XXX

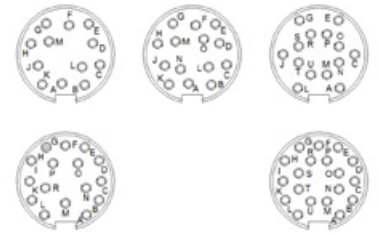
Product Description: M16 pre-molded cable connector, female, contacts:12,14,16,19, solder connection, straight, IP67, shieldable, UL certified



Illustration




Drawings



Pin assignment

Technical data

General		Electrical	
Standard	IEC61076-2-106	Rated current	3A
Locking system	Fix screw locking	Rated voltage	60V
Gender	Female	Rated Impulse voltage	800V
Series	AM16	Insulation resistance	≥ 100 MΩ
Coding	A/B	EMC compliance	Shieldable
Torque	0.6N.M	Degree of protection	IP67
Category	Pre-molded cable	Mechanical operation	> 500 mating cycles
Connection type	Solder connection	Operating temperature	-25°C ~ 85°C
Cable outlet	6~8mm		
Custom tariff number	85444290		
Country of origin	China		

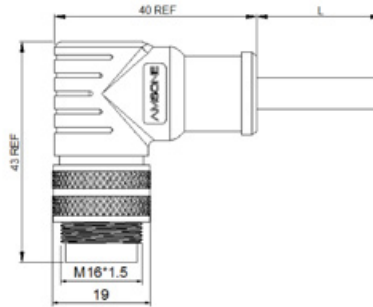
Cable		Material	
Cable type	UL Style	Flammability rating	Acc. to UL94V-0
Conductor cross section	0.25mm ²	Contact material	Brass with Gold plated
Wire gauge	24AWG	Insulation material	PA66
Jacket	PVC/TPU	Ring nut material	Brass with Nickel plated
Temperature	-25°C ~ 85°C	Sealing material	Silicone
Other resistance	UV resistant (720 h) UL 2556 Premium oil resistance (jacket)	Molding material	PVC/TPU
Wire colour	variable	Certificates	UL 
Length	variable		

No	Number of contacts	Cable specification and length	Ordering P/N
1	12A	variable	AM16F1211AXXX-XXX
2	14A		AM16F1411AXXX-XXX
3	14B		AM16F1411BXXX-XXX
4	16A		AM16F1611AXXX-XXX
5	19A		AM16F1911AXXX-XXX

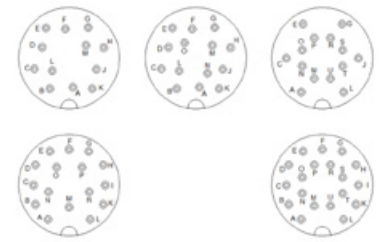
Product Description: M16 pre-molded cable connector, male, contacts:12,14,16,19, solder connection, right angled, IP67, shieldable, UL certified



Illustration




Drawings



Pin assignment

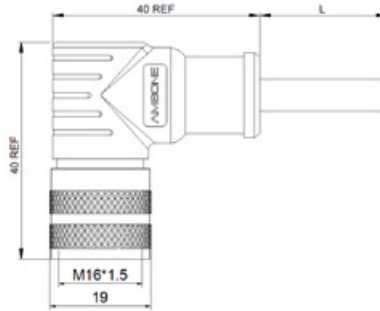
Technical data

General Standard IEC61076-2-106 Locking system Fix screw locking Gender Male Series AM16 Coding A/B Torque 0.6N.M Category Pre-molded cable Connection type Solder connection Cable outlet variable Custom tariff number 85444290 Country of origin China		Electrical Rated current 3A Rated voltage 60V Rated Impulse voltage 800V Insulation resistance $\geq 100 \text{ M}\Omega$ EMC compliance Shieldable Degree of protection IP67 Mechanical operation > 500 mating cycles Operating temperature $-25^{\circ}\text{C} \sim 85^{\circ}\text{C}$		
Cable Cable type UL Style Conductor cross section 0.25mm^2 Wire gauge 24AWG Jacket PVC/TPU Temperature $-25^{\circ}\text{C} \sim 85^{\circ}\text{C}$ Other resistance UV resistant (720 h) UL 2556 Premium oil resistance (jacket) Wire colour variable Length variable		Material Flammability rating Acc. to UL94V-0 Contact material Brass with Gold plated Insulation material PA66 Ring nut material Brass with Nickel plated Sealing material Silicone Molding material PVC/TPU Certificates UL 		
No	Number of contacts	Cable specification and length		Ordering P/N
1	12A	variable		AM16M1211AXXX-XXX
2	14A			AM16M1411AXXX-XXX
3	14B			AM16M1411BXXX-XXX
4	16A			AM16M1611AXXX-XXX
5	19A			AM16M1911AXXX-XXX

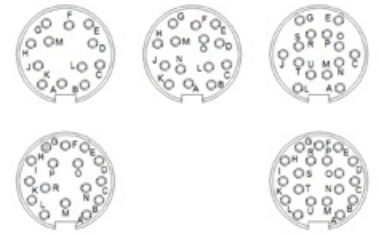
Product Description: M16 pre-molded cable connector, female, contacts:12,14,16,19, solder connection, right angled, IP67, shieldable, UL certified



Illustration



Drawings



Pin assignment

Technical data

General

Standard	IEC61076-2-106
Locking system	Fix screw locking
Gender	Female
Series	AM16
Coding	A/B
Torque	0.6N.M
Category	Pre-molded cable
Connection type	Solder connection
Cable outlet	variable
Custom tariff number	85444290
Country of origin	China

Electrical

Rated current	3A
Rated voltage	60V
Rated Impulse voltage	800V
Insulation resistance	≥ 100 MΩ
EMC compliance	Shieldable
Degree of protection	IP67
Mechanical operation	> 500 mating cycles
Operating temperature	-25°C ~ 85°C

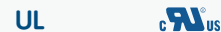
Cable

Cable type	UL Style
Conductor cross section	0.25mm ²
Wire gauge	24AWG
Jacket	PVC/TPU
Temperature	-25°C ~ 85°C
Other resistance	UV resistant (720 h) UL 2556 Premium oil resistance (jacket)
Wire colour	variable
Length	variable

Material

Flammability rating	Acc. to UL94V-0
Contact material	Brass with Gold plated
Insulation material	PA66
Ring nut material	Brass with Nickel plated
Sealing material	Silicone
Molding material	PVC/TPU

Certificates

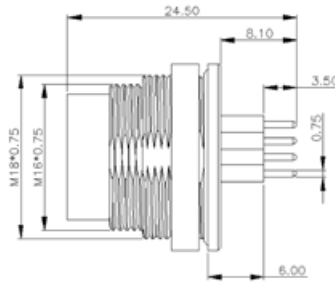


No	Number of contacts	Cable specification and length	Ordering P/N
1	12A	variable	AM16F1211AXXX-XXX
2	14A		AM16F1411AXXX-XXX
3	14B		AM16F1411BXXX-XXX
4	16A		AM16F1611AXXX-XXX
5	19A		AM16F1911AXXX-XXX

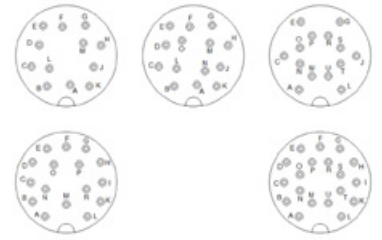
Product Description: M16 panel receptacle, rear mount, male, contacts:12,14,16,19,
PCB dip-solder connection, straight, IP67, UL certified



Illustration



Drawings



Pin assignment

Technical data

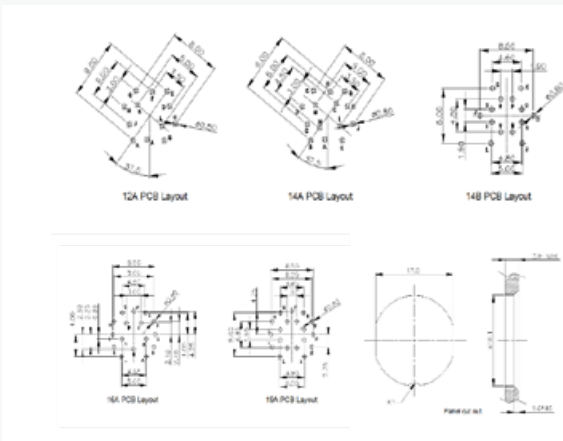
General

Standard	IEC61076-2-106
Locking system	Fix screw locking
Gender	Male
Series	AM16
Coding	A/B
Torque	3N.M
Category	Device connector, rear mount
Connection type	PCB dip-solder connection
Custom tariff number	85444290
Country of origin	China

Electrical

Rated current	3A
Rated voltage	60V
Rated Impulse voltage	800V
Insulation resistance	≥ 100 MΩ
EMC compliance	/
Degree of protection	IP67
Mechanical operation	> 500 mating cycles
Operating temperature	-25°C ~ 85°C

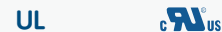
Panel cut-out



Material

Flammability rating	Acc. to UL94V-0
Contact material	Brass with Gold plated
Insulation material	PA66
Jam nut material	Brass with Nickel plated
Sealing material	Silicone
Shell material	Zinc alloy with Nickel plated

Certificates



No Number of contacts

Fastening thread

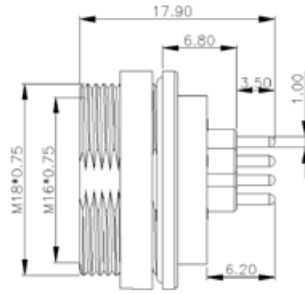
Ordering P/N

1	12A	M18*0.75	AM16M1222A001
2	14A		AM16M1422A001
3	14B		AM16M1422B001
4	16A		AM16M1622A001
5	19A		AM16M1922A001

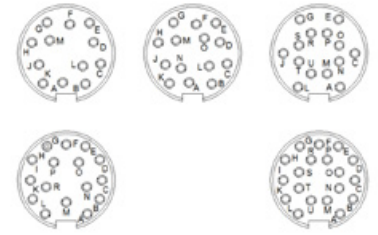
Product Description: M16 panel receptacle, rear mount, female, contacts:12,14,16,19, PCB connection, straight, IP67, UL certified



Illustration



Drawings



Pin assignment

Technical data

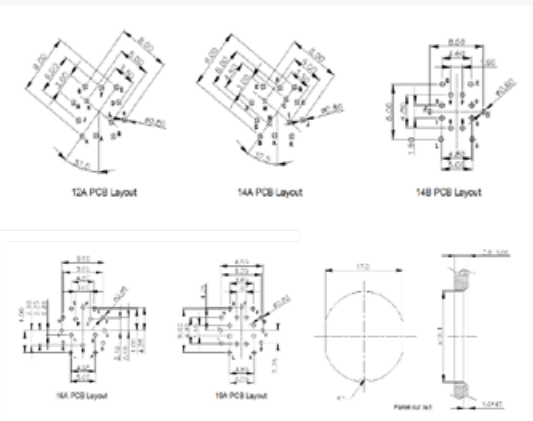
General

Standard	IEC61076-2-106
Locking system	Fix screw locking
Gender	Female
Series	AM16
Coding	A/B
Torque	3N.M
Category	Device connector, rear mount
Connection type	PCB dip-solder connection
Custom tariff number	85444290
Country of origin	China

Electrical

Rated current	3A
Rated voltage	60V
Rated Impulse voltage	800V
Insulation resistance	≥ 100 MΩ
EMC compliance	/
Degree of protection	IP67
Mechanical operation	> 500 mating cycles
Operating temperature	-25°C ~ 85°C

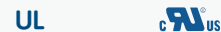
Panel cut-out



Material

Flammability rating	Acc. to UL94V-0
Contact material	Brass with Gold plated
Insulation material	PA66
Jam nut material	Brass with Nickel plated
Sealing material	Silicone
Shell material	Zinc alloy with Nickel plated

Certificates



No Number of contacts

Fastening thread

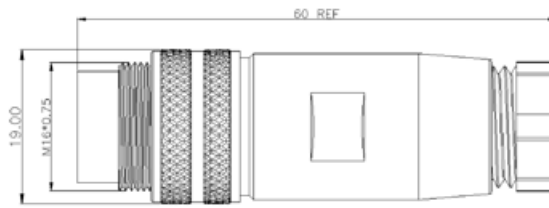
Ordering P/N

1	12A	M18*0.75	AM16F1222A001
2	14A		AM16F1422A001
3	14B		AM16F1422B001
4	16A		AM16F1622A001
5	19A		AM16F1922A001

Product Description: M16 cable connector, male, contacts:12,14,16,19,field assembly type, solder connection, straight, IP67, UL certified



Illustration



Drawings



Pin assignment

Technical data

General

Standard	IEC61076-2-106
Locking system	Fix screw locking
Gender	Male
Series	AM16
Coding	A/B
Torque	0.6N.M
Category	Field assembly
Connection type	Solder connection
Wire gauge(max.)	0.25mm ² / 24AWG
Cable outlet	6~8mm
Custom tariff number	85444290
Country of origin	China

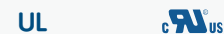
Electrical

Rated current	3A
Rated voltage	60V
Rated Impulse voltage	800V
Insulation resistance	≥ 100 MΩ
EMC compliance	Shielded
Degree of protection	IP67
Mechanical operation	> 500 mating cycles
Operating temperature	-25°C ~ 85°C

Material

Flammability rating	Acc. to UL94V-0
Contact material	Brass with Gold plated
Insulation material	PA66
Ring nut material	Brass with Nickel plated
Sealing material	Silicone
Shell material	Brass with Nickel plated

Certificates

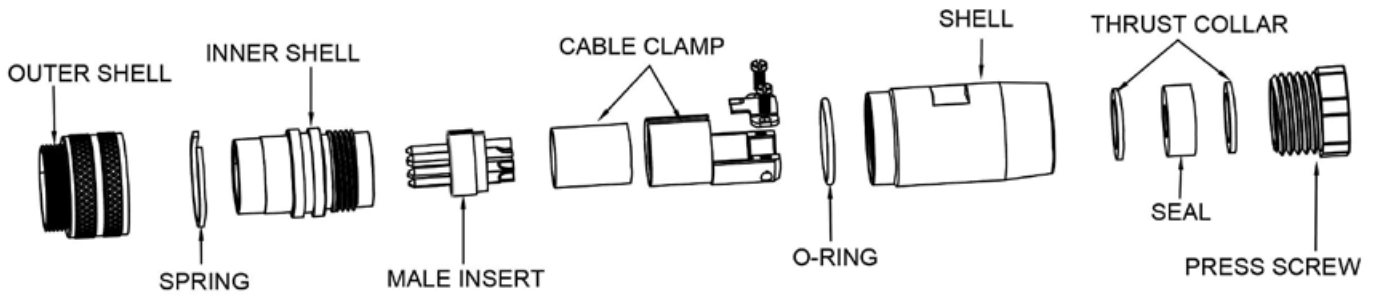


No Number of contacts

Cable specification and length

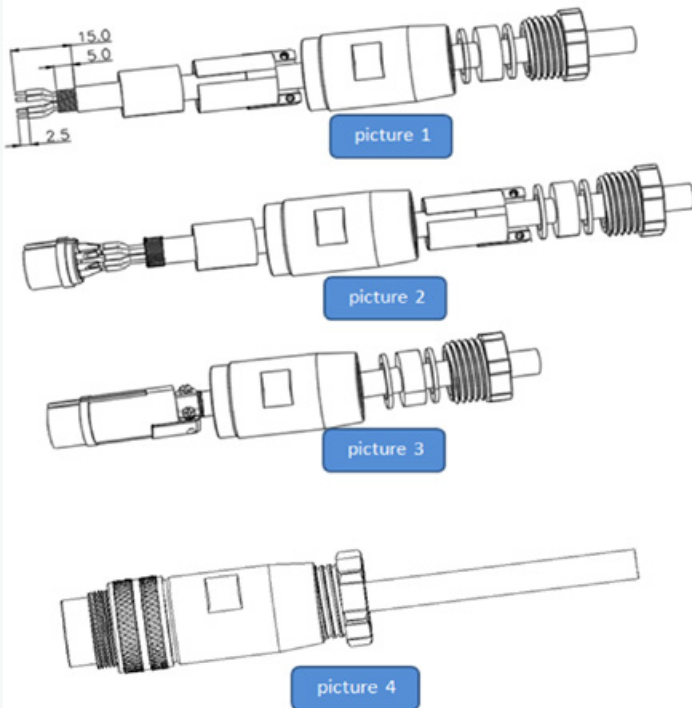
Ordering P/N

1	12A	variable	AM16M1214A001
2	14A		AM16M1414A001
3	14B		AM16M1414B001
4	16A		AM16M1614A001
5	19A		AM16M1914A001



Connector part drawing

Assembly instructions



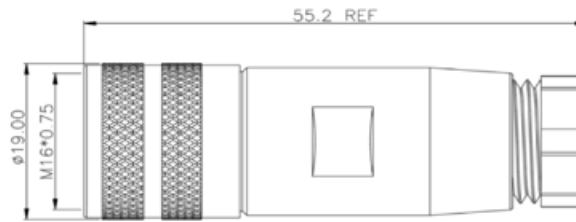
Installation steps

1. Strip the external sheath :15mm.
2. Leave 5mm for braid and cut off the excess.
3. Strip the conductor insulation:2.5mm.
- 4.push the part onto the cable in sequence(as shown picture 1).
- 5.Solder the conductors to the contacts and unbraid the braided screen and push it back.(as shown picture2).
- 6.Assemble the cable clip and insert, and lock the screw to fix the cable (as shown picture 3).
- 7.Put the insert into the shell and assemble other parts (as shown picture 4)

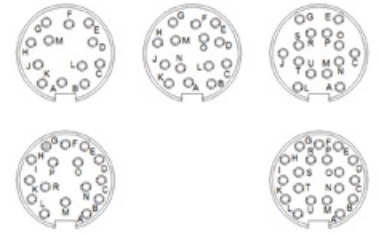
Product Description: M16 cable connector, female, contacts:12,14,16,19, field assembly type, solder connection, straight, IP67, UL certified



Illustration



Drawings



Pin assignment

Technical data

General

Standard	IEC61076-2-106
Locking system	Fix screw locking
Gender	Female
Series	AM16
Coding	A/B
Torque	0.6N.M
Category	Field assembly
Connection type	Solder connection
Wire gauge(max.)	0.25mm ² / 24AWG
Cable outlet	6~8mm
Custom tariff number	85444290
Country of origin	China

Electrical

Rated current	3A
Rated voltage	60V
Rated Impulse voltage	800V
Insulation resistance	≥ 100 MΩ
EMC compliance	Shielded
Degree of protection	IP67
Mechanical operation	> 500 mating cycles
Operating temperature	-25°C ~ 85°C

Material

Flammability rating	Acc. to UL94V-0
Contact material	Brass with Gold plated
Insulation material	PA66
Ring nut material	Brass with Nickel plated
Sealing material	Silicone
Shell material	Brass with Nickel plated

Certificates

UL



No Number of contacts

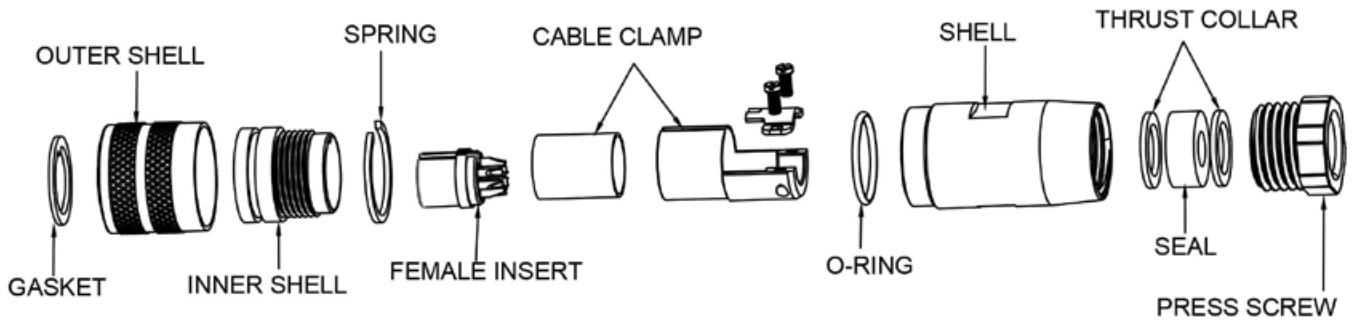
1	12A
2	14A
3	14B
4	16A
5	19A

Cable specification and length

Customizable

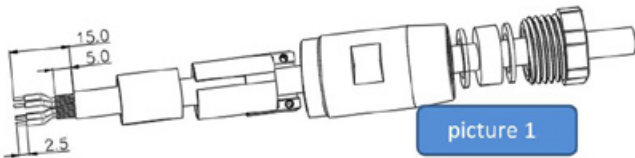
Ordering P/N

AM16F1214A001
AM16F1414A001
AM16F1414B001
AM16F1614A001
AM16F1914A001

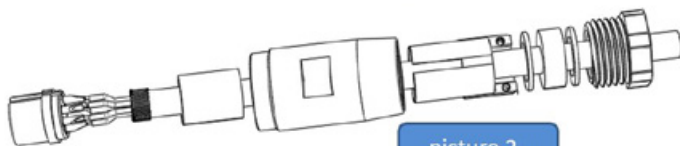


Connector part drawing

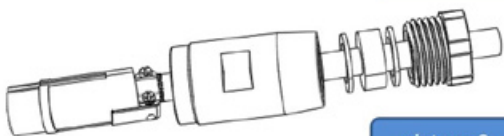
Assembly instructions



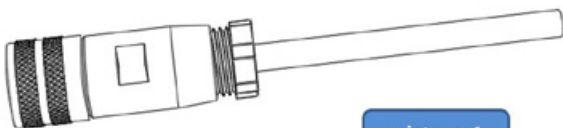
picture 1



picture 2



picture 3



picture 4

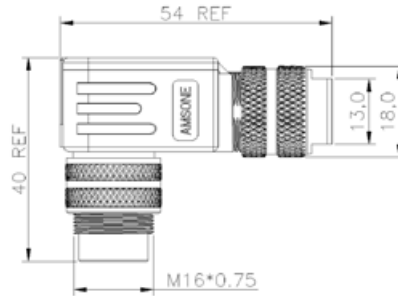
Installation steps

1. Strip the external sheath :15mm.
2. Leave 5mm for braid and cut off the excess.
3. Strip the conductor insulation:2.5mm.
- 4.push the part onto the cable in sequence(as shown picture 1).
- 5.Solder the conductors to the contacts and unbraid the braided screen and push it back.(as shown picture2).
- 6.Assemble the cable clip and insert, and lock the screw to fix the cable (as shown picture 3).
- 7.Put the insert into the shell and assemble other parts (as shown picture 4)

Product Description: M16 cable connector, male, contacts:12,14,16,19, field assembly type, solder connection, right angled, IP67, UL certified



Illustration



Drawings



Pin assignment

Technical data

General

Standard	IEC61076-2-106
Locking system	Fix screw locking
Gender	Male
Series	AM16
Coding	A/B
Torque	0.6N.M
Category	Field assembly
Connection type	Solder connection
Wire gauge(max.)	0.25mm ² / 24AWG
Cable outlet	6~8mm
Custom tariff number	85444290
Country of origin	China

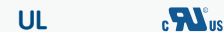
Electrical

Rated current	3A
Rated voltage	60V
Rated Impulse voltage	800V
Insulation resistance	≥ 100 MΩ
EMC compliance	Shielded
Degree of protection	IP67
Mechanical operation	> 500 mating cycles
Operating temperature	-25°C ~ 85°C

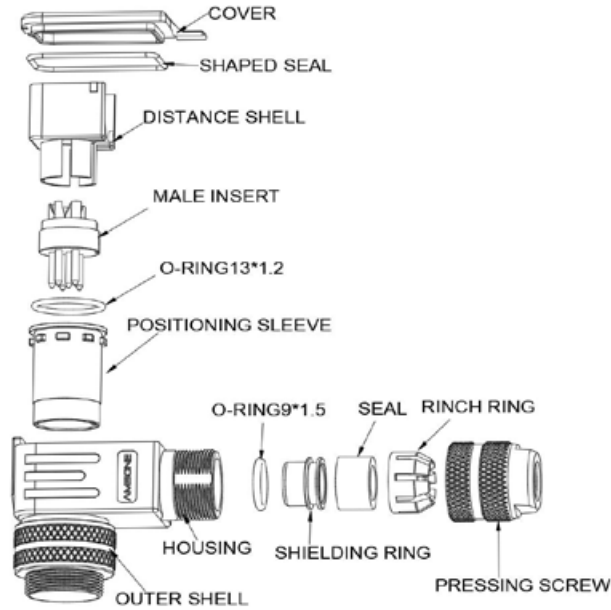
Material

Flammability rating	Acc. to UL94V-0
Contact material	Brass with Gold plated
Insulation material	PA66
Ring nut material	Brass with Nickel plated
Sealing material	Silicone
Shell material	Zinc alloy with Nickel plated

Certificates

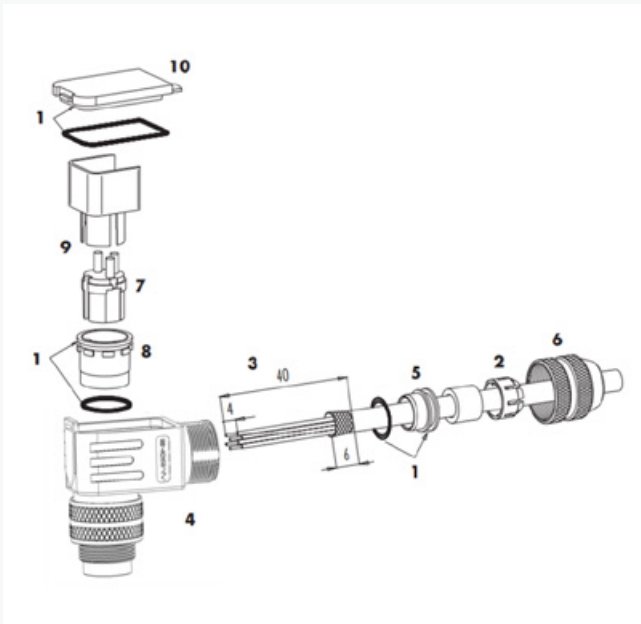


No	Number of contacts	Cable specification and length	Ordering P/N
1	12A	variable	AM16M1214A002
2	14A		AM16M1414A002
3	14B		AM16M1414B002
4	16A		AM16M1614A002
5	19A		AM16M1914A002



Connector part drawing

Assembly instructions



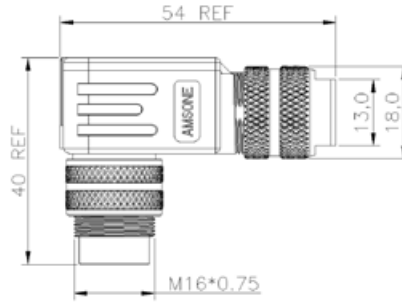
Installation steps

1. Assemble sealing rings (3x).
2. Bead cable parts.
3. Dismantle cable and shielding braid.
4. Push single wires through housing.
5. Mount shielding ring and pinch ring.
6. Slightly fix pressing screw.
7. Solder wires to insert.
8. Mount positioning sleeve in angled position.
9. Put in insert and distance sleeve.
10. Mount lid.
11. Fix pressing screw (approx. 10–20 Nm).

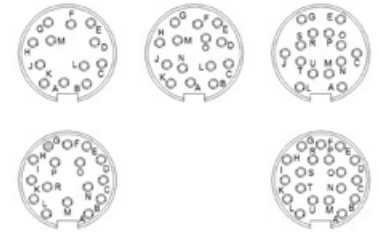
Product Description: M16 cable connector, female, contacts:12,14,16,19, field assembly type, solder connection, right angled, IP67, UL certified



Illustration



Drawings



Pin assignment

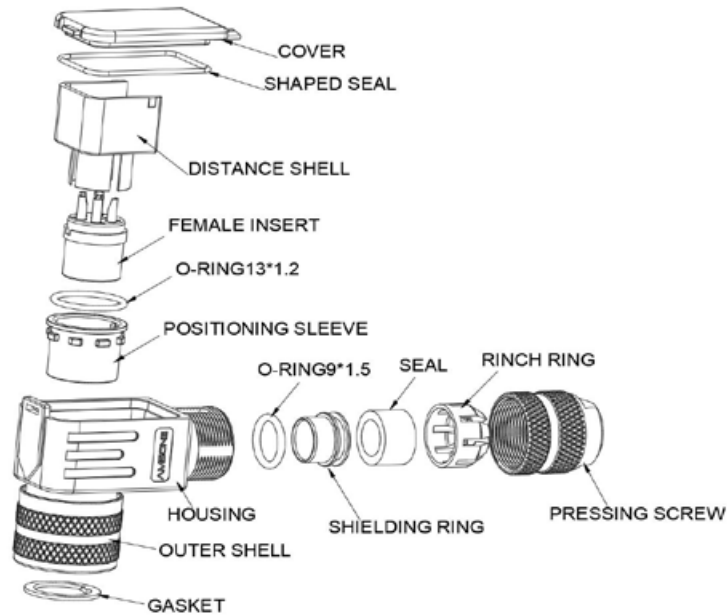
Technical data

General		Electrical	
Standard	IEC61076-2-106	Rated current	3A
Locking system	Fix screw locking	Rated voltage	60V
Gender	Female	Rated Impulse voltage	800V
Series	AM16	Insulation resistance	≥ 100 MΩ
Coding	A/B	EMC compliance	Shielded
Torque	0.6N.M	Degree of protection	IP67
Category	Field assembly	Mechanical operation	> 500 mating cycles
Connection type	Solder connection	Operating temperature	-25°C ~ 85°C
Wire gauge(max.)	0.25mm ² / 24AWG		
Cable outlet	6~8mm		
Custom tariff number	85444290		
Country of origin	China		

Material	
Flammability rating	Acc. to UL94V-0
Contact material	Brass with Gold plated
Insulation material	PA66
Ring nut material	Brass with Nickel plated
Sealing material	Silicone
Shell material	Zinc alloy with Nickel plated
Certificates	
	UL 

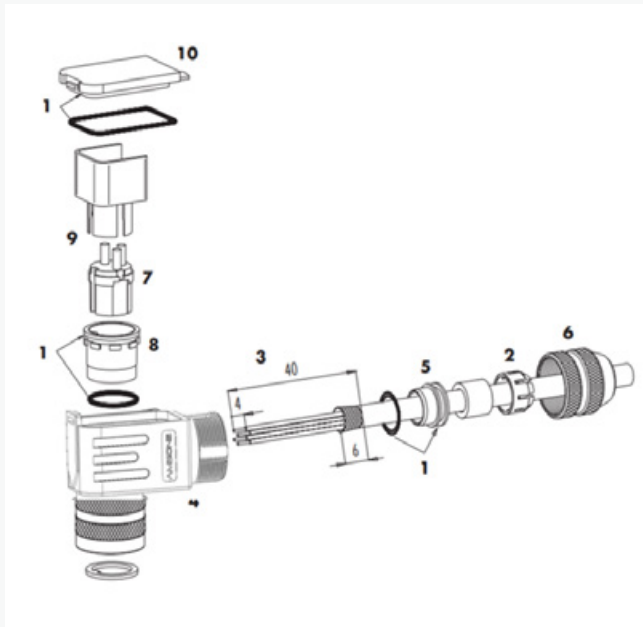
No	Number of contacts	Cable specification and length	Ordering P/N
1	12A	variable	AM16F1214A002
2	14A		AM16F1414A002
3	14B		AM16F1414B002
4	16A		AM16F1614A002
5	19A		AM16F1914A002

Product Description: M16 cable connector, female, contacts:12,14,16,19, field assembly type, solder connection, right angled, IP67, UL certified



Connector part drawing

Assembly instructions



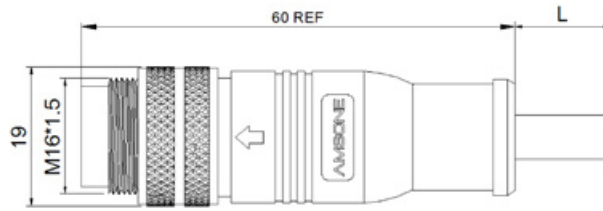
Installation steps

1. Assemble sealing rings (3x).
2. Bead cable parts.
3. Dismantle cable and shielding braid.
4. Push single wires through housing.
5. Mount shielding ring and pinch ring.
6. Slightly fix pressing screw.
7. Solder wires to insert.
8. Mount positioning sleeve in angled position.
9. Put in insert and distance sleeve.
10. Mount lid.
11. Fix pressing screw (approx. 10–20 Nm).

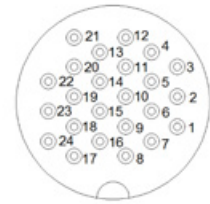
Product Description: M16 pre-molded cable connector, male, contacts:24, solder connection, straight, IP67, shieldable, UL certified



Illustration



Drawings



Pin assignment

Technical data

General

Standard	IEC61076-2-106
Locking system	Fix screw locking
Gender	Male
Series	AM16
Coding	A
Torque	0.6N.M
Catogory	Pre-molded cable
Connection type	Solder connection
Cable outlet	variable
Custom tariff number	85444290
Country of origin	China

Electrical

Rated current	1A
Rated voltage	60V
Rated Impulse voltage	500V
Insulation resistance	≥ 100 MΩ
EMC compliance	Shieldable
Degree of protection	IP67
Mechanical operation	> 500 mating cycles
Operating temperature	-25°C ~ 85°C

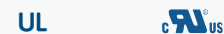
Cable

Cable type	UL Style
Conductor cross section	0.14mm ²
Wire gauge	26AWG
Jacket	PVC/TPU
Temprature	-25°C ~ 85°C
Other resistance	UV resistant (720 h) UL 2556 Premium oil resistance (jacket)
Wire colour	variable
Length	variable

Material

Flammability rating	Acc. to UL94V-0
Contact material	Brass with Gold plated
Insulation material	PA66
Ring nut material	Brass with Nickel plated
Sealing material	Silicone
Molding material	PVC/TPU

Certificates



No Number of contacts

Cable specification and length

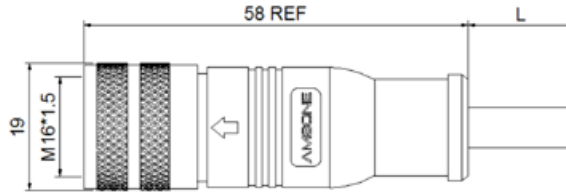
Ordering P/N

1	24A	variable	AM16M2411AXXX-XXX
---	-----	----------	-------------------

Product Description: M16 pre-molded cable connector, female, contacts:24, solder connection, straight, IP67, shieldable, UL certified



Illustration



Drawings



Pin assignment

Technical data

General

Standard	IEC61076-2-106
Locking system	Fix screw locking
Gender	Female
Series	AM16
Coding	A
Torque	0.6N.M
Category	Pre-molded cable
Connection type	Solder connection
Cable outlet	variable
Custom tariff number	85444290
Country of origin	China

Electrical

Rated current	1A
Rated voltage	60V
Rated Impulse voltage	500V
Insulation resistance	≥ 100 MΩ
EMC compliance	Shieldable
Degree of protection	IP67
Mechanical operation	> 500 mating cycles
Operating temperature	-25°C ~ 85°C

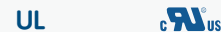
Cable

Cable type	UL Style
Conductor cross section	0.14mm ²
Wire gauge	26AWG
Jacket	PVC/TPU
Temperature	-25°C ~ 85°C
Other resistance	UV resistant (720 h) UL 2556 Premium oil resistance (jacket)
Wire colour	variable
Length	variable

Material

Flammability rating	Acc. to UL94V-0
Contact material	Brass with Gold plated
Insulation material	PA66
Ring nut material	Brass with Nickel plated
Sealing material	Silicone
Molding material	PVC/TPU

Certificates



No Number of contacts

Cable specification and length

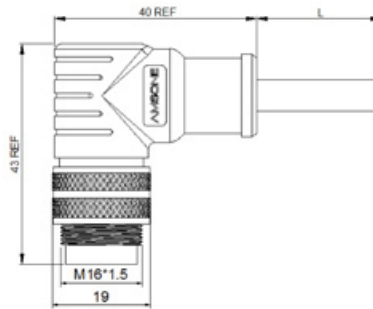
Ordering P/N

1	24A	variable	AM16F2411AXXX-XXX
---	-----	----------	-------------------

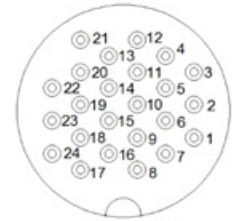
Product Description: M16 pre-molded cable connector, male, contacts:24, solder connection, right angled, IP67, shieldable, UL certified



Illustration



Drawings



Pin assignment

Technical data

General

Standard	IEC61076-2-106
Locking system	Fix screw locking
Gender	Male
Series	AM16
Coding	A
Torque	0.6N.M
Category	Pre-molded cable
Connection type	Solder connection
Cable outlet	variable
Custom tariff number	85444290
Country of origin	China

Electrical

Rated current	1A
Rated voltage	60V
Rated Impulse voltage	500V
Insulation resistance	≥ 100 MΩ
EMC compliance	Shieldable
Degree of protection	IP67
Mechanical operation	> 500 mating cycles
Operating temperature	-25°C ~ 85°C

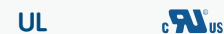
Cable

Cable type	UL Style
Conductor cross section	0.14mm ²
Wire gauge	26AWG
Jacket	PVC/TPU
Temperature	-25°C ~ 85°C
Other resistance	UV resistant (720 h) UL 2556 Premium oil resistance (jacket)
Wire colour	variable
Length	variable

Material

Flammability rating	Acc. to UL94V-0
Contact material	Brass with Gold plated
Insulation material	PA66
Ring nut material	Brass with Nickel plated
Sealing material	Silicone
Molding material	PVC/TPU

Certificates



No Number of contacts

Cable specification and length

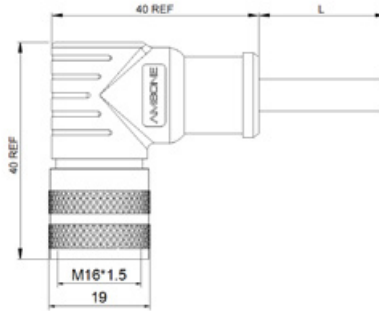
Ordering P/N

1	24A	variable	AM16M2411AXXX-XXX
---	-----	----------	-------------------

Product Description: M16 pre-molded cable connector, female, contacts:24, solder connection, right angled, IP67, shieldable, UL certified



Illustration



Drawings



Pin assignment

Technical data

General

Standard	IEC61076-2-106
Locking system	Fix screw locking
Gender	Female
Series	AM16
Coding	A
Torque	0.6N.M
Category	Pre-molded cable
Connection type	Solder connection
Cable outlet	variable
Custom tariff number	85444290
Country of origin	China

Electrical

Rated current	1A
Rated voltage	60V
Rated Impulse voltage	500V
Insulation resistance	≥ 100 MΩ
EMC compliance	Shieldable
Degree of protection	IP67
Mechanical operation	> 500 mating cycles
Operating temperature	-25°C ~ 85°C

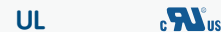
Cable

Cable type	UL Style
Conductor cross section	0.14mm ²
Wire gauge	26AWG
Jacket	PVC/TPU
Temperature	-25°C ~ 85°C
Other resistance	UV resistant (720 h) UL 2556 Premium oil resistance (jacket)
Wire colour	variable
Length	variable

Material

Flammability rating	Acc. to UL94V-0
Contact material	Brass with Gold plated
Insulation material	PA66
Ring nut material	Brass with Nickel plated
Sealing material	Silicone
Molding material	PVC/TPU

Certificates

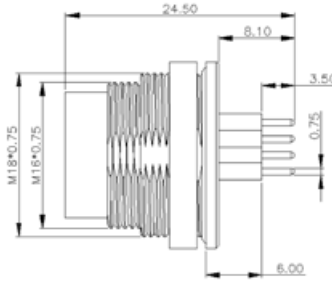


No	Number of contacts	Cable specification and length	Ordering P/N
1	24A	variable	AM16F2411AXXX-XXX

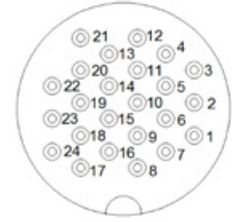
Product Description: M16 panel receptacle, rear mount, male, contacts:24, PCB dip-solder connection, straight, IP67, UL certified



Illustration



Drawings



Pin assignment

Technical data

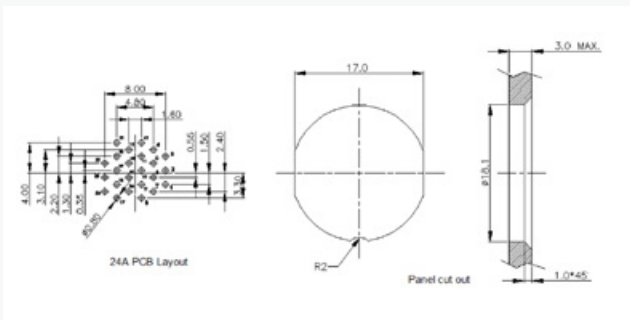
General

Standard	IEC61076-2-106
Locking system	Fix screw locking
Gender	Male
Series	AM16
Coding	A
Torque	3N.M
Category	Device connector, rear mount
Connection type	PCB dip-solder connection
Custom tariff number	85444290
Country of origin	China

Electrical

Rated current	1A
Rated voltage	60V
Rated Impulse voltage	500V
Insulation resistance	≥ 100 MΩ
EMC compliance	/
Degree of protection	IP67
Mechanical operation	> 500 mating cycles
Operating temperature	-25°C ~ 85°C

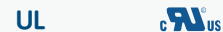
Panel cut-out



Material

Flammability rating	Acc. to UL94V-0
Contact material	Brass with Gold plated
Insulation material	PA66
Jam nut material	Brass with Nickel plated
Sealing material	Silicone
Shell material	Zinc alloy nickel plating

Certificates



No Number of contacts

Fastening thread

Ordering P/N

1 24A

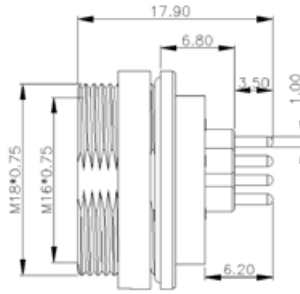
M18*0.75

AM16M2422A001

Product Description: M16 panel receptacle, rear mount, female, contacts:24, PCB dip-solder connection, straight, IP67, UL certified



Illustration



Drawings



Pin assignment

Technical data

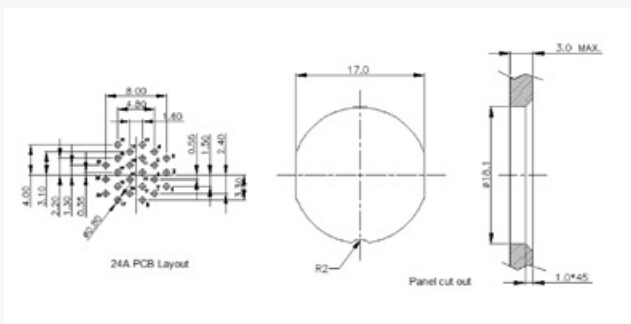
General

Standard	IEC61076-2-106
Locking system	Fix screw locking
Gender	Female
Series	AM16
Coding	A
Torque	3N.M
Category	Device connector, rear mount
Connection type	PCB dip-solder connection
Custom tariff number	85444290
Country of origin	China

Electrical

Rated current	1A
Rated voltage	60V
Rated Impulse voltage	500V
Insulation resistance	≥ 100 MΩ
EMC compliance	/
Degree of protection	IP67
Mechanical operation	> 500 mating cycles
Operating temperature	-25°C ~ 85°C

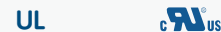
Panel cut-out



Material

Flammability rating	Acc. to UL94V-0
Contact material	Brass with Gold plated
Insulation material	PA66
Jam nut material	Brass with Nickel plated
Sealing material	Silicone
Shell material	Zinc alloy nickel plating

Certificates



No Number of contacts

Fastening thread

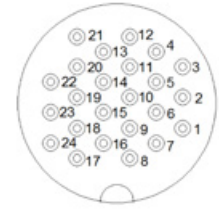
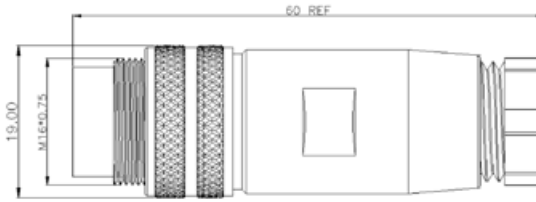
Ordering P/N

1 24A

M18*0.75

A M 1 6 F 2 4 2 2 A 0 0 1

Product Description: M16 cable connector, male, contacts:24,field assembly type, solder connection, straight, IP67, UL certified



Illustration

Drawings

Pin assignment

Technical data

General

Standard	IEC61076-2-106
Locking system	Fix screw locking
Gender	Male
Series	AM16
Coding	A
Torque	0.6N.M
Category	Field assembly
Connection type	Solder connection
Wire gauge(max.)	0.14mm ² / 26AWG
Cable outlet	6~8mm
Custom tariff number	85444290
Country of origin	China

Electrical

Rated current	1A
Rated voltage	60V
Rated Impulse voltage	500V
Insulation resistance	≥ 100 MΩ
EMC compliance	Shielded
Degree of protection	IP67
Mechanical operation	> 500 mating cycles
Operating temperature	-25°C ~ 85°C

Material

Flammability rating	Acc. to UL94V-0
Contact material	Brass with Gold plated
Insulation material	PA66
Ring nut material	Brass with Nickel plated
Sealing material	Silicone
Shell material	Brass with Nickel plated

Certificates

UL



No Number of contacts

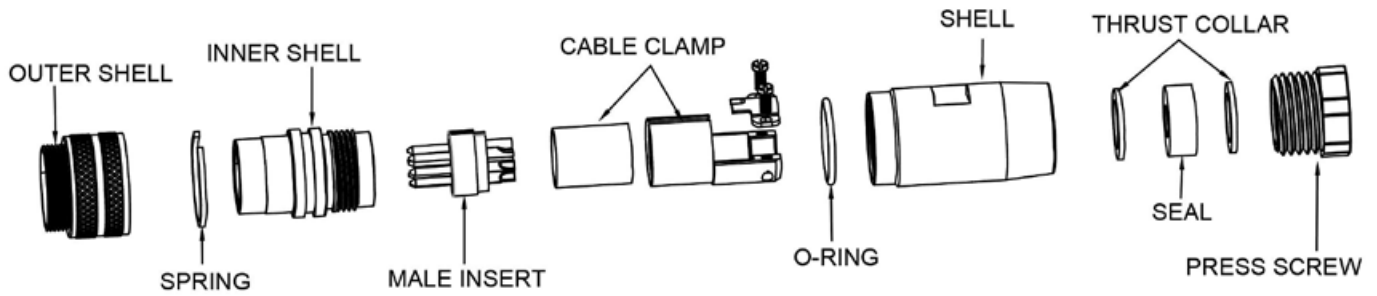
1 24A

Cable specification and length

variable

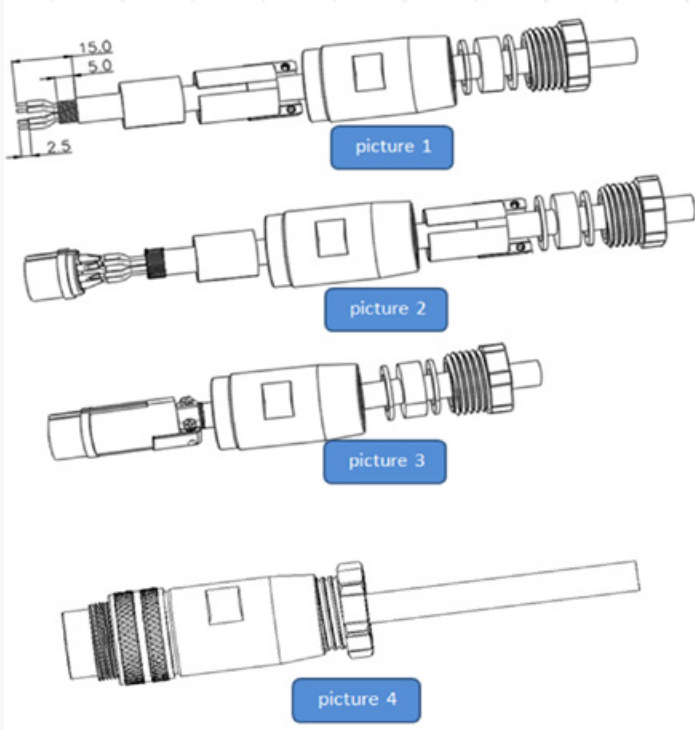
Ordering P/N

A M 1 6 M 2 4 1 4 A 0 0 1



Connector part drawing

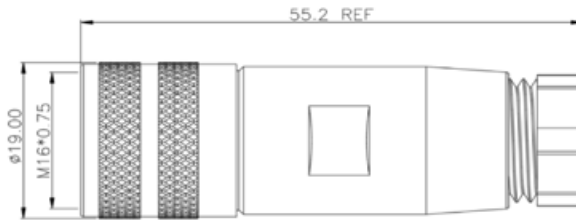
Assembly instructions



Installation steps

1. Strip the external sheath :15mm.
2. Leave 5mm for braid and cut off the excess.
3. Strip the conductor insulation:2.5mm.
4. push the part onto the cable in sequence(as shown picture 1).
5. Solder the conductors to the contacts and unbraided the braided screen and push it back.(as shown picture 2).
6. Assemble the cable clip and insert, and lock the screw to fix the cable (as shown picture 3).
7. Put the insert into the shell and assemble other parts (as shown picture 4)

Product Description: M16 cable connector, female, contacts:24,field assembly type, solder connection, straight, IP67, UL certified



Illustration

Drawings

Pin assignment

Technical data

General

Standard	IEC61076-2-106
Locking system	Fix screw locking
Gender	Female
Series	AM16
Coding	A
Torque	0.6N.M
Category	Field assembly
Connection type	Solder connection
Wire gauge(max.)	0.14mm ² / 26AWG
Cable outlet	6~8mm
Custom tariff number	85444290
Country of origin	China

Electrical

Rated current	1A
Rated voltage	600V
Rated Impulse voltage	500V
Insulation resistance	≥ 100 MΩ
EMC compliance	Shielded
Degree of protection	IP67
Mechanical operation	> 500 mating cycles
Operating temperature	-25°C ~ 85°C

Material

Flammability rating	Acc. to UL94V-0
Contact material	Brass with Gold plated
Insulation material	PA66
Ring nut material	Brass with Nickel plated
Sealing material	Silicone
Shell material	Brass with Nickel plated

Certificates

UL

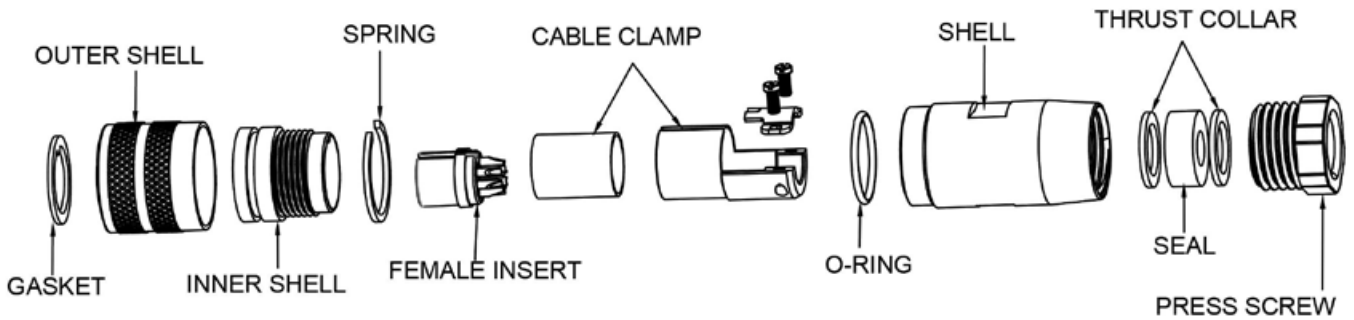


No Number of contacts

Cable specification and length

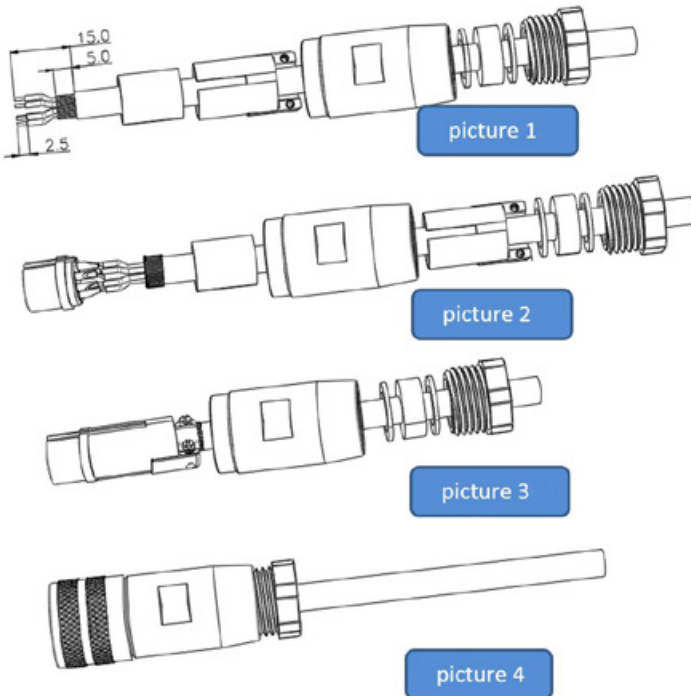
Ordering P/N

1	24A	variable	AM16F2414A001
---	-----	----------	---------------



Connector part drawing

Assembly instructions



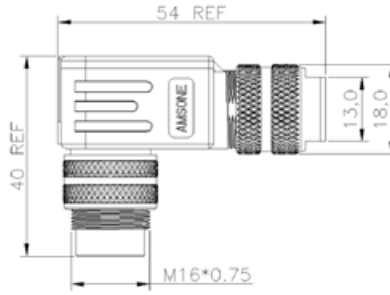
Installation steps

1. Strip the external sheath :15mm.
2. Leave 5mm for braid and cut off the excess.
3. Strip the conductor insulation:2.5mm.
- 4.push the part onto the cable in sequence(as shown picture 1).
- 5.Solder the conductors to the contacts and unbraided the braided screen and push it back.(as shown picture2).
- 6.Assemble the cable clip and insert, and lock the screw to fix the cable (as shown picture 3).
- 7.Put the insert into the shell and assemble other parts (as shown picture 4)

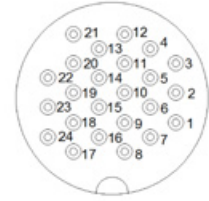
Product Description: M16 cable connector, male, contacts:24, field assembly type, solder connection, right angled, IP67, UL certified



Illustration



Drawings



Pin assignment

Technical data

General

Standard	IEC61076-2-106
Locking system	Fix screw locking
Gender	Male
Series	AM16
Coding	A
Torque	0.6N.M
Category	Field assembly
Connection type	Solder connection
Wire gauge(max.)	0.14mm ² / 26AWG
Cable outlet	6~8mm
Custom tariff number	85444290
Country of origin	China

Electrical

Rated current	1A
Rated voltage	60V
Rated Impulse voltage	500V
Insulation resistance	≥ 100 MΩ
EMC compliance	Shielded
Degree of protection	IP67
Mechanical operation	> 500 mating cycles
Operating temperature	-25°C ~ 85°C

Material

Flammability rating	Acc. to UL94V-0
Contact material	Brass with Gold plated
Insulation material	PA66
Ring nut material	Brass with Nickel plated
Sealing material	Silicone
Shell material	Zinc alloy Nickel plating

Certificates

UL



No Number of contacts

Cable specification and length

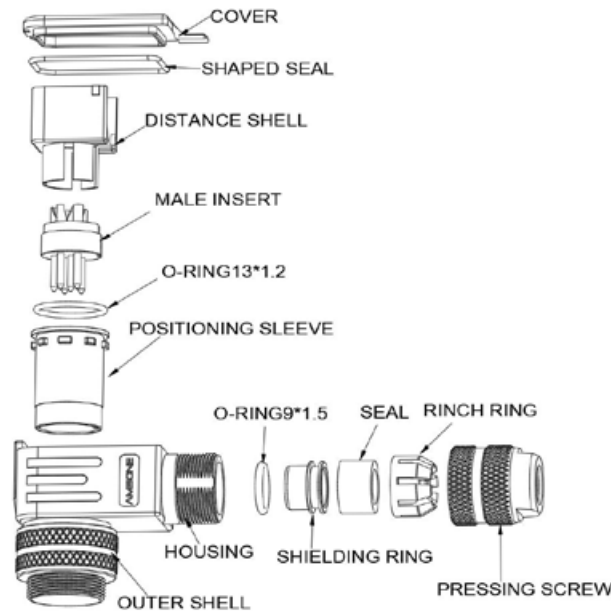
Ordering P/N

1 24A

variable

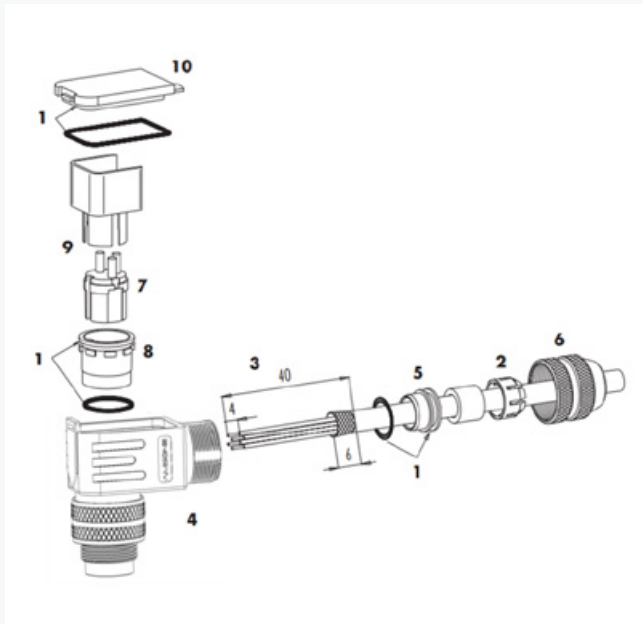
AM16M2414A002

Product Description: M16 cable connector, male, contacts:24, field assembly type, solder connection, right angled, IP67, UL certified



Connector part drawing

Assembly instructions



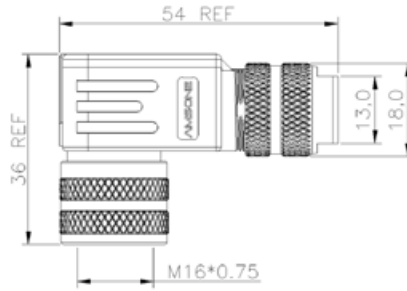
Installation steps

1. Assemble sealing rings (3x).
2. Bead cable parts.
3. Dismantle cable and shielding braid.
4. Push single wires through housing.
5. Mount shielding ring and pinch ring.
6. Slightly fix pressing screw.
7. Solder wires to insert.
8. Mount positioning sleeve in angled position.
9. Put in insert and distance sleeve.
10. Mount lid.
11. Fix pressing screw (approx. 10–20 Nm).

Product Description: M16 cable connector, female, contacts:24, field assembly type, solder connection, right angled, IP67



Illustration



Drawings

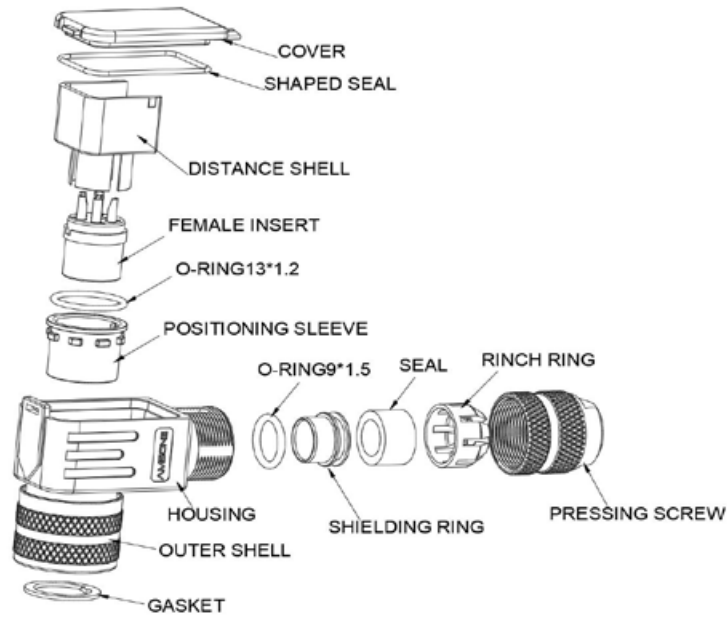


Pin assignment

Technical data

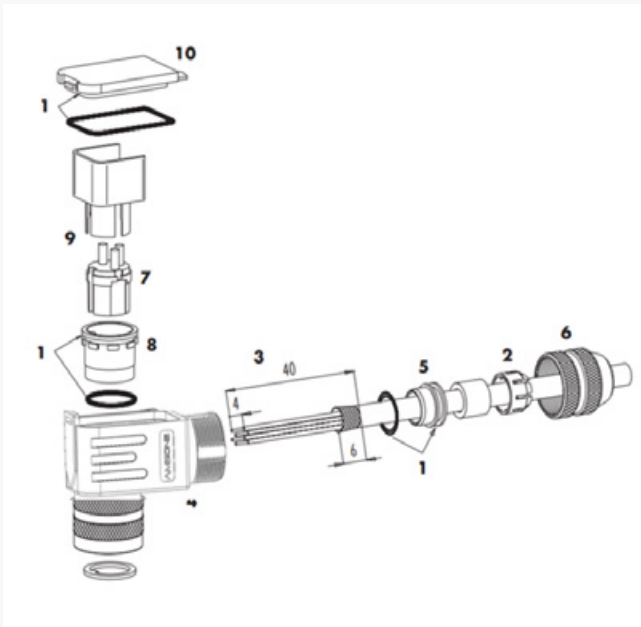
General Standard IEC61076-2-106 Locking system Fix screw locking Gender Female Series AM16 Coding A Torque 0.6N.M Category Field assembly Connection type Solder connection Wire gauge(max.) 0.14mm ² / 26AWG Cable outlet 6~8mm Custom tariff number 85444290 Country of origin China		Electrical Rated current 1A Rated voltage 60V Rated Impulse voltage 500V Insulation resistance ≥ 100 MΩ EMC compliance Shielded Degree of protection IP67 Mechanical operation > 500 mating cycles Operating temperature -25°C ~ 85°C	
		Material Flammability rating Acc. to UL94V-0 Contact material Brass with Gold plated Insulation material PA66 Ring nut material Brass with Nickel plated Sealing material Silicone Shell material Zinc alloy Nickel plating	
		Certificates UL 	

No	Number of contacts	Cable specification and length	Ordering P/N
1	24A	variable	AM16F2414A002



Connector part drawing

Assembly instructions



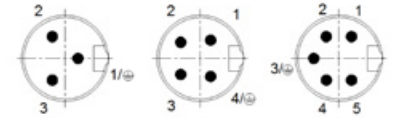
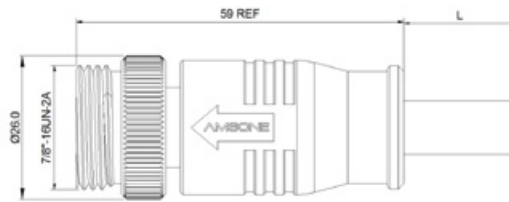
Installation steps

1. Assemble sealing rings (3x).
2. Bead cable parts.
3. Dismantle cable and shielding braid.
4. Push single wires through housing.
5. Mount shielding ring and pinch ring.
6. Slightly fix pressing screw.
7. Solder wires to insert.
8. Mount positioning sleeve in angled position.
9. Put in insert and distance sleeve.
10. Mount lid.
11. Fix pressing screw (approx. 10–20 Nm).





Product Description: 7/8" Pre-molded cable connector, male, contacts:3,4,5, solder connection, straight, IP67, UL certified



Illustration

Drawings

Pin assignment

Technical data

General

Standard	/
Locking system	Fix screw locking
Gender	Male
Series	AM78
Coding	A
Torque	1.0N.M
Category	Pre-molded cable
Connection type	Solder connection
Cable outlet	9~12mm
Custom tariff number	85444290
Country of origin	China

Electrical

Rated current	12A
Rated voltage	600V
Rated Impulse voltage	4000V
Insulation resistance	≥ 100 MΩ
EMC compliance	Unshieldable
Degree of protection	IP67
Mechanical operation	> 100 mating cycles
Operating temperature	-40°C ~ 85°C

Cable

Cable type	UL Style
Conductor cross section	1.5mm ²
Wire gauge	16AWG
Jacket	PVC/TPU
Temperature	-40°C ~ 105°C
Other resistance	UV resistant (720 h) UL 2556 Premium oil resistance (jacket)
Wire colour	variable
Length	variable

Material

Flammability rating	Acc. to UL94V-0
Contact material	Brass with Gold plated
Insulation material	TPU
Ring nut material	Aluminum, Anodizing Black
Sealing material	/
Molding material	PVC/TPU

Certificates

UL



No Number of contacts

1	3
2	4
3	5

Cable specification and length

variable

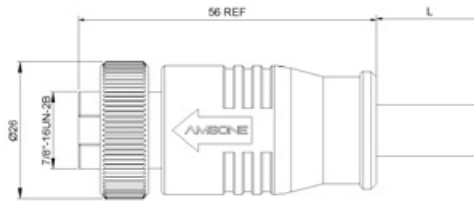
Ordering P/N

- AM78M0311AXXX-XXX
- AM78M0411AXXX-XXX
- AM78M0511AXXX-XXX

Product Description: 7/8" Pre-molded cable connector, female, contacts: 3,4,5, solder connection, straight, IP67, UL certified



Illustration



Drawings



Pin assignment

Technical data

General

Standard	/
Locking system	Fix screw locking
Gender	Female
Series	AM78
Coding	A
Torque	1.0N.M
Category	Pre-molded cable
Connection type	Solder connection
Cable outlet	9~12mm
Custom tariff number	85444290
Country of origin	China

Electrical

Rated current	12A
Rated voltage	600V
Rated Impulse voltage	4000V
Insulation resistance	≥ 100 MΩ
EMC compliance	Unshieldable
Degree of protection	IP67
Mechanical operation	> 100 mating cycles
Operating temperature	-40°C ~ 85°C

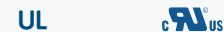
Cable

Cable type	UL Style
Conductor cross section	1.5mm ²
Wire gauge	16AWG
Jacket	PVC/TPU
Temperature	-40°C ~ 105°C
Other resistance	UV resistant (720 h) UL 2556 Premium oil resistance (jacket)
Wire colour	variable
Length	variable

Material

Flammability rating	Acc. to UL94V-0
Contact material	Brass with Gold plated
Insulation material	TPU
Ring nut material	Aluminum, Anodizing Black
Sealing material	/
Molding material	PVC/TPU

Certificates



No Number of contacts

1	3
2	4
3	5

Cable specification and length

variable

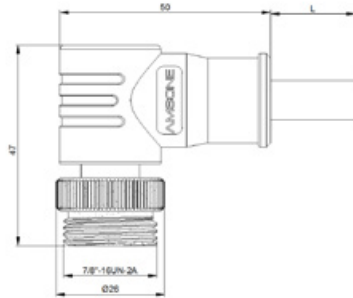
Ordering P/N

- AM78F0311AXXX-XXX
- AM78F0411AXXX-XXX
- AM78F0511AXXX-XXX

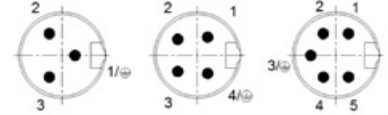
Product Description: 7/8" Pre-molded cable connector, male, contacts:3,4,5, solder connection, right angled, IP67, UL certified



Illustration



Drawings



Pin assignment

Technical data

General

Standard	/
Locking system	Fix screw locking
Gender	Male
Series	AM78
Coding	A
Torque	1.0N.M
Category	Pre-molded cable
Connection type	Solder connection
Cable outlet	9~12mm
Custom tariff number	85444290
Country of origin	China

Electrical

Rated current	12A
Rated voltage	600V
Rated Impulse voltage	4000V
Insulation resistance	≥ 100 MΩ
EMC compliance	Unshieldable
Degree of protection	IP67
Mechanical operation	> 100 mating cycles
Operating temperature	-40°C ~ 85°C

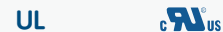
Cable

Cable type	UL Style
Conductor cross section	1.5mm ²
Wire gauge	16AWG
Jacket	PVC/TPU
Temperature	-40°C ~ 105°C
Other resistance	UV resistant (720 h) UL 2556 Premium oil resistance (jacket)
Wire colour	variable
Length	variable

Material

Flammability rating	Acc. to UL94V-0
Contact material	Brass with Gold plated
Insulation material	TPU
Ring nut material	Aluminum, Anodizing Black
Sealing material	/
Molding material	PVC/TPU

Certificates



No Number of contacts

1	3
2	4
3	5

Cable specification and length

variable

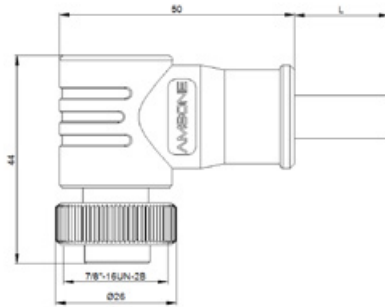
Ordering P/N

- AM78M0311AXXX-XXX
- AM78M0411AXXX-XXX
- AM78M0511AXXX-XXX

Product Description: 7/8" Pre-molded cable connector, female, contacts:3,4,5, solder connection, right angled, IP67, UL certified



Illustration




Drawings



Pin assignment

Technical data

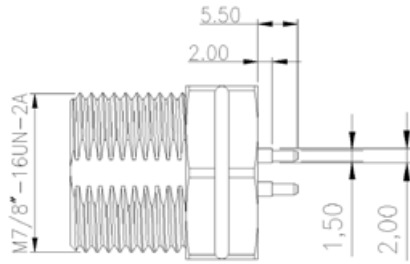
General Standard / Locking system Fix screw locking Gender Female Series AM78 Coding A Torque 1.0N.M Category Pre-molded cable Connection type Solder connection Cable outlet 9~12mm Custom tariff number 85444290 Country of origin China		Electrical Rated current 12A Rated voltage 600V Rated Impulse voltage 4000V Insulation resistance $\geq 100 \text{ M}\Omega$ EMC compliance Unshieldable Degree of protection IP67 Mechanical operation > 100 mating cycles Operating temperature $-40^{\circ}\text{C} \sim 85^{\circ}\text{C}$	
Cable Cable type UL Style Conductor cross section 1.5mm^2 Wire gauge 16AWG Jacket PVC/TPU Temperature $-40^{\circ}\text{C} \sim 105^{\circ}\text{C}$ Other resistance UV resistant (720 h) UL 2556 Premium oil resistance (jacket) Wire colour variable Length variable		Material Flammability rating Acc. to UL94V-0 Contact material Brass with Gold plated Insulation material TPU Ring nut material Aluminum, Anodizing Black Sealing material / Molding material PVC/TPU Certificates UL 	

No	Number of contacts	Cable specification and length	Ordering P/N
1	3	variable	AM78F0311AXXX-XXX
2	4		AM78F0411AXXX-XXX
3	5		AM78F0511AXXX-XXX

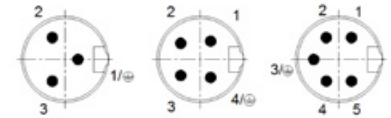
Product Description: 7/8" Panel receptacle, rear mount, male, contacts:3,4,5, PCB dip-solder connection, straight, IP67, UL certified



Illustration



Drawings

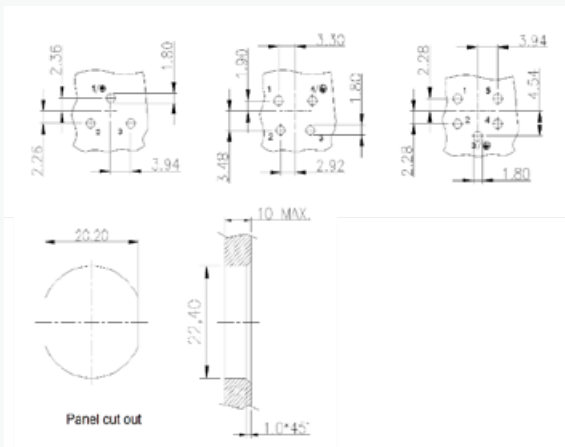


Pin assignment

Technical data

General		Electrical	
Standard	/	Rated current	12A
Locking system	Fix screw locking	Rated voltage	600V
Gender	Male	Rated Impulse voltage	2500V
Series	AM78	Insulation resistance	≥ 100 MΩ
Coding	A	EMC compliance	/
Torque	1.2N.M	Degree of protection	IP67
Category	Device connector, rear mount	Mechanical operation	> 100 mating cycles
Connection type	PCB dip-solder connection	Operating temperature	-40°C ~ 85°C
Custom tariff number	85444290		
Country of origin	China		

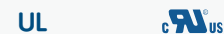
Panel cut-out



Material

Flammability rating	Acc. to UL94V-0
Contact material	Brass with Gold plated
Insulation material	TPU
Jam nut material	Brass with Nickel plated
Sealing material	Silicone
Shell material	Brass with Gold plated

Certificates

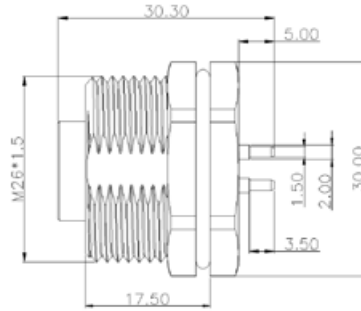


No	Number of contacts	Fastening thread	Ordering P/N
1	3	M7/8"-16UN-2A	AM78M0322A001
2	4		AM78M0422A001
3	5		AM78M0522A001

Product Description: 7/8" Panel receptacle, rear mount, female, contacts:3,4,5, PCB dip-solder connection, straight, IP67, UL certified



Illustration



Drawings



Pin assignment

Technical data

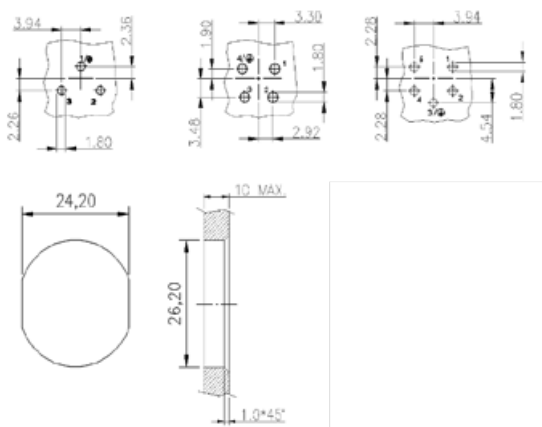
General

Standard	/
Locking system	Fix screw locking
Gender	Female
Series	AM78
Coding	A
Torque	1.2N.M
Category	Device connector, rear mount
Connection type	PCB dip-solder connection
Custom tariff number	85444290
Country of origin	China

Electrical

Rated current	12A
Rated voltage	600V
Rated Impulse voltage	2500V
Insulation resistance	≥ 100 MΩ
EMC compliance	/
Degree of protection	IP67
Mechanical operation	> 100 mating cycles
Operating temperature	-40°C ~ 85°C

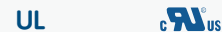
Panel cut-out



Material

Flammability rating	Acc. to UL94V-0
Contact material	Brass with Gold plated
Insulation material	TPU
Jam nut material	Brass with Nickel plated
Sealing material	Silicone
Shell material	Brass with Gold plated

Certificates



No Number of contacts

Fastening thread

Ordering P/N

1	3	M7/8"-16UN-2B	AM78F0322A001
2	4		AM78F0422A001
3	5		AM78F0522A001

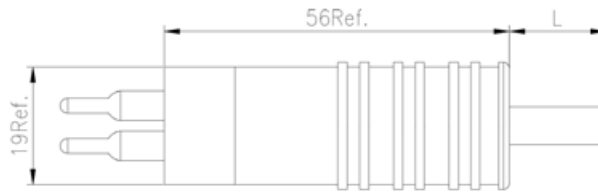




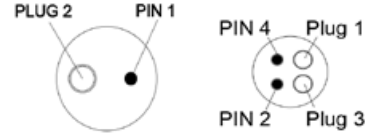
Product Description: 1+1PIN,2+2PIN Watertight connector, hybrid,
Degree of protection:450M(Water depth)



Illustration



Drawings



Pin assignment

Technical data

General

Standard	/
Locking system	/
Gender	Hybrid
Series	SC19
Coding	/
Torque	/
Category	Pre-molded cable
Connection type	Solder connection
Cable outlet	6.5mm
Custom tariff number	85444290
Country of origin	China

Electrical

Rated current	15A
Rated voltage	300V
Rated Impulse voltage	1000V
Insulation resistance	≥ 100 MΩ
EMC compliance	/
Degree of protection	450M(Water depth)
Mechanical operation	> 100 mating cycles
Operating temperature	-10°C ~ 60°C

Cable

Cable type	variable
Conductor cross section	0.5mm ²
Wire gauge	20AWG
Jacket	TPU
Temperature	-40°C ~ 90°C
Other resistance	UV resistant (720 h) UL 2556 Premium oil resistance (jacket)
Wire colour	variable
Length	variable

Material

Flammability rating	Acc. to UL94V-0
Contact material	Brass with Gold plated
Insulation material	EPDM
Jam nut material	/
Sealing material	/
Shell material	/

Certificates

No	Number of contacts
1	1+1
2	2+2

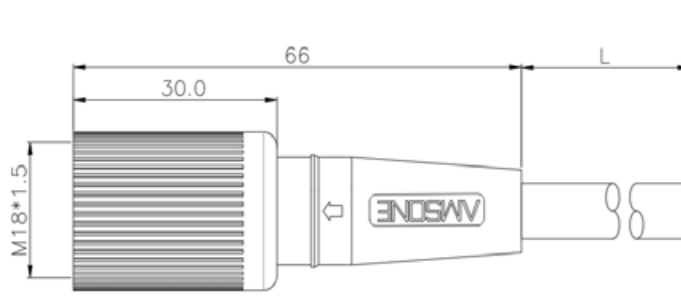
Cable specification and length
variable

Ordering P/N
SC19H0211SXX1-XXX
SC19H0411SXX1-XXX

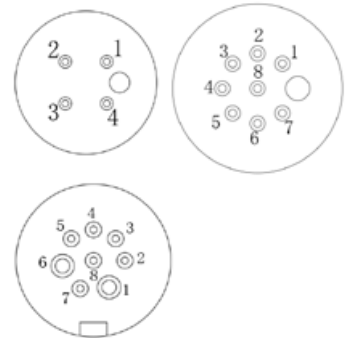
Product Description: 4+1PIN,8+1PIN,2+6PIN Watertight connector, male,
Degree of protection:450M(Water depth)



Illustration



Drawings



Pin assignment

Technical data

General

Standard	/
Locking system	Fix screw locking
Gender	Male
Series	SC16
Coding	/
Torque	/
Category	Pre-molded cable
Connection type	Solder connection
Cable outlet	6.35mm
Custom tariff number	85444290
Country of origin	China

Electrical

Rated current	1.5A
Rated voltage	60V
Rated Impulse voltage	300V
Insulation resistance	≥ 100 MΩ
EMC compliance	/
Degree of protection	450M(Water depth)
Mechanical operation	> 100 mating cycles
Operating temperature	-10°C ~ 60°C

Cable

Cable type	variable
Conductor cross section	0.34mm ²
Wire gauge	22AWG
Jacket	TPU
Temperature	-40°C ~ 90°C
Other resistance	UV resistant (720 h) UL 2556 Premium oil resistance (jacket)
Wire colour	variable
Length	variable

Material

Flammability rating	Acc. to UL94V-0
Contact material	Brass with Gold plated
Insulation material	EPDM
Jam nut material	PA
Sealing material	/
Shell material	PA

Certificates

No Number of contacts

1	4
2	8
3	8

Cable specification and length

variable

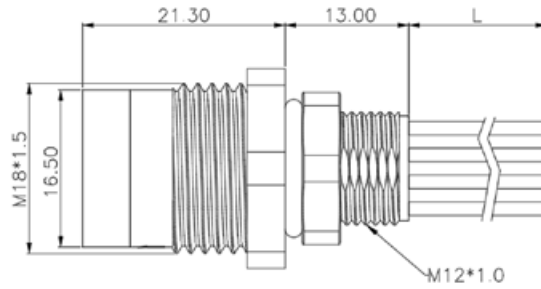
Ordering P/N

SC16M0411AXXX-XXX
SC16M0811AXXX-XXX
SC16M0811CXXX-XXX

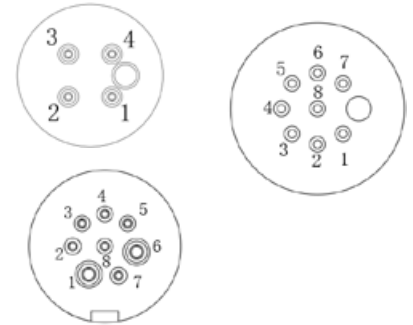
Product Description: 4+1PIN,8+1PIN,2+6PIN Watertight connector, female,
Degree of protection:450M(Water depth)



Illustration



Drawings



Pin assignment

Technical data

General

Standard	/
Locking system	Fix screw locking
Gender	Female
Series	SC16
Coding	/
Torque	/
Category	Pre-molded cable
Connection type	Solder connection
Cable outlet	/
Custom tariff number	85444290
Country of origin	China

Electrical

Rated current	1.5A
Rated voltage	60V
Rated Impulse voltage	300V
Insulation resistance	≥ 100 MΩ
EMC compliance	/
Degree of protection	480M(Water depth)
Mechanical operation	> 100 mating cycles
Operating temperature	-10°C ~ 60°C

Cable

Cable type	variable
Conductor cross section	0.34mm ²
Wire gauge	22AWG
Jacket	PVC/TPU
Temperature	-10°C ~ 80°C
Other resistance	UV resistant (720 h) UL 2556 Premium oil resistance (jacket)
Wire colour	variable
Length	variable

Material

Flammability rating	Acc. to UL94V-0
Contact material	Brass with Gold plated
Insulation material	EPDM
Jam nut material	PA
Sealing material	Silicone
Shell material	PA

Certificates

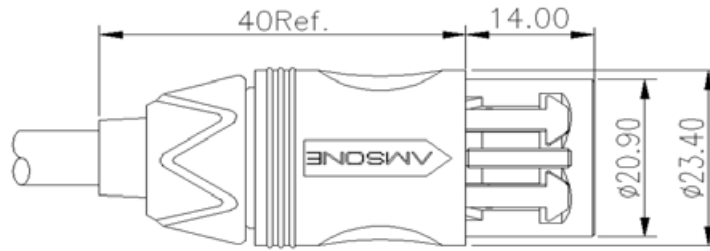
No	Number of contacts	Cable specification and length	Ordering P/N
1	4		SC16F0413AXX1-XXX
2	8	variable	SC16F0813AXX1-XXX
3	8		SC16F0813CXX1-XXX



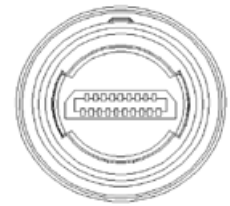
Product Description: Push-pull, HDMI 2.0 male, pre-molded patch cable, with removable carrie fit, 360° EMC shieldable, IP65 waterproof



Illustration



Drawings



Pin assignment

Technical data

General

Standard	HDMI2.0
Locking system	Push-pull
Gender	Male
Series	CIO
Coding	A
Torque	/
Category	Pre-molded cable
Connection type	Solder connection
Cable outlet	7.3mm
Custom tariff number	85444290
Country of origin	China

Electrical

Rated current	0.5A
Rated voltage	40V
Rated Impulse voltage	300V
Insulation resistance	≥ 100 MΩ
EMC compliance	360° shieldable
Degree of protection	IP65
Mechanical operation	> 100 mating cycles
Operating temperature	-25°C ~ 85°C

Cable

Cable type	UL Style
Conductor cross section	0.08mm ²
Wire gauge	28AWG
Jacket	PVC/TPE
Temperature	-25°C ~ 85°C
Other resistance	UV resistant (720 h) UL 2556 Premium oil resistance (jacket)
Wire colour	variable
Length	variable

Material

Flammability rating	Acc. to UL94V-0
Contact material	Brass with Gold plated
Insulation material	LCP
Shell material	Zinc die casting
Sealing material	/
Molding material	PVC

Certificates

No Number of contacts
1 19

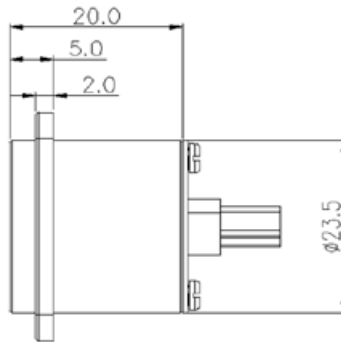
Cable specification and length
variable

Ordering P/N
CIOHM2011AXXX-XXX

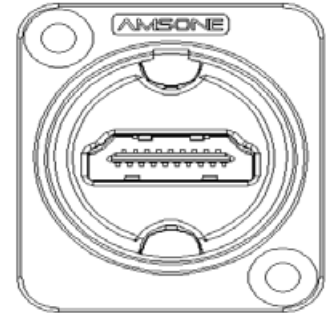
Product Description: Push-pull, HDMI 2.0 female, assemble, with removable carrier fit, 360° EMC shieldable, IP65 waterproof



Illustration



Drawings



Pin assignment

Technical data

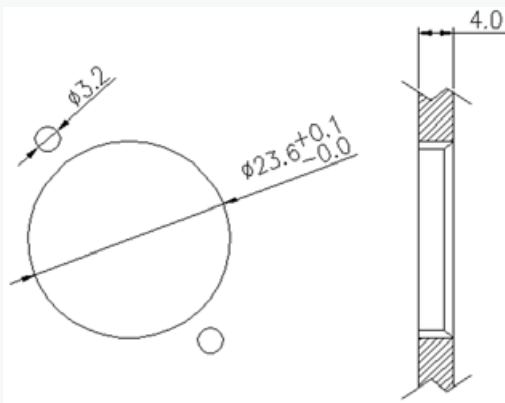
General

Standard	HDMI2.0
Locking system	Socket
Gender	Female
Series	CIO
Coding	A
Torque	/
Category	Assemble
Connection type	/
Cable outlet	/
Custom tariff number	85444290
Country of origin	China

Electrical

Rated current	0.5A
Rated voltage	40V
Rated Impulse voltage	300V
Insulation resistance	≥ 100 MΩ
EMC compliance	360° shieldable
Degree of protection	IP65
Mechanical operation	> 100 mating cycles
Operating temperature	-25°C ~ 85°C

Panel cut-out



Material

Flammability rating	Acc. to UL94V-0
Contact material	Brass with Gold plated
Insulation material	LCP
Shell material	Zinc die casting
Sealing material	/
Molding material	PVC

Certificates

No Number of contacts
1 19

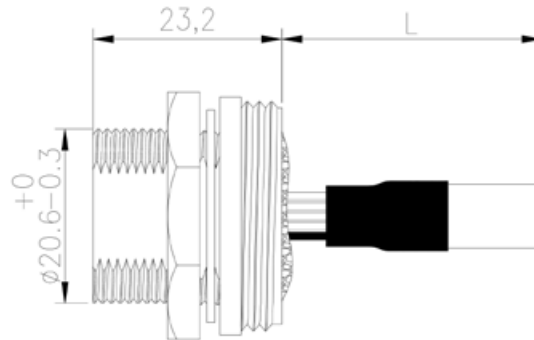
Cable specification and length
variable

Ordering P/N
CIOHM2022A001

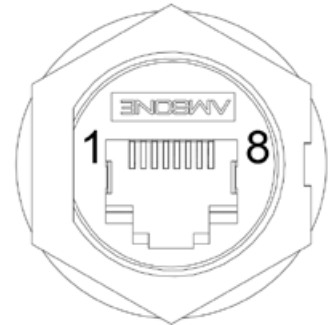
Product Description: RJ45 jack, female, thread connector, panel rear mount, with cable, shieldable, IP65 waterproof



Illustration



Drawings



Pin assignment

Technical data

General

Standard	RJ45
Locking system	Fix screw locking
Gender	Female
Series	AIO
Coding	/
Torque	/
Category	Pre-molded cable
Connection type	Solder connection
Cable outlet	6.0mm
Custom tariff number	85444290
Country of origin	China

Electrical

Rated current	1.5A
Rated voltage	40V
Rated Impulse voltage	300V
Insulation resistance	≥ 100 MΩ
EMC compliance	shieldable
Degree of protection	IP65
Mechanical operation	> 100 mating cycles
Operating temperature	-25°C ~ 85°C

Cable

Cable type	UL Style
Conductor cross section	0.24mm ²
Wire gauge	24AWG
Jacket	PVC
Temperature	-20°C ~ 80°C
Other resistance	UV resistant (720 h) UL 2556 Premium oil resistance (jacket)
Wire colour	variable
Length	variable

Material

Flammability rating	Acc. to UL94V-0
Contact material	Brass with Gold plated
Insulation material	PA
Jam nut material	PA
Sealing material	EPDM
Shell material	PA

Certificates

No Number of contacts
1 8

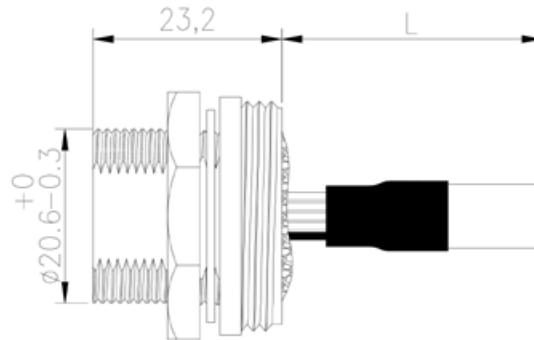
Cable specification and length
variable

Ordering P/N
AIORF4532AXXX-XXX

Product Description: USB A type, female, thread connector, panel rear mount, with cable, shieldable, IP65 waterproof



Illustration



Drawings



Pin assignment

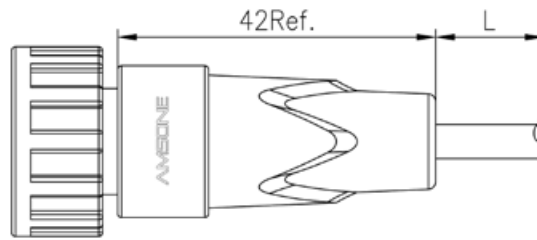
Technical data

<p>General</p> <p>Standard USB</p> <p>Locking system Fix screw locking</p> <p>Gender Female</p> <p>Series AIO</p> <p>Coding /</p> <p>Torque /</p> <p>Category Pre-molded cable</p> <p>Connection type Solder connection</p> <p>Cable outlet 4.5mm</p> <p>Custom tariff number 85444290</p> <p>Country of origin China</p>		<p>Electrical</p> <p>Rated current 1.5A</p> <p>Rated voltage 30V</p> <p>Rated Impulse voltage 300V</p> <p>Insulation resistance $\geq 100 \text{ M}\Omega$</p> <p>EMC compliance shieldable</p> <p>Degree of protection IP65</p> <p>Mechanical operation > 100 mating cycles</p> <p>Operating temperature $-25 \text{ }^\circ\text{C} \sim 85 \text{ }^\circ\text{C}$</p>	
<p>Cable</p> <p>Cable type UL Style</p> <p>Conductor cross section 0.24mm^2</p> <p>Wire gauge 24AWG</p> <p>Jacket PVC</p> <p>Temperature $-20^\circ\text{C} \sim 80^\circ\text{C}$</p> <p>Other resistance UV resistant (720 h) UL 2556 Premium oil resistance (jacket)</p> <p>Wire colour variable</p> <p>Length variable</p>		<p>Material</p> <p>Flammability rating Acc. to UL94V-0</p> <p>Contact material Brass with Gold plated</p> <p>Insulation material PA</p> <p>Jam nut material PA</p> <p>Sealing material EPDM</p> <p>Shell material PA</p> <p>Certificates</p>	
<p>No 1</p> <p>Number of contacts 4</p>		<p>Cable specification and length variable</p>	
		<p>Ordering P/N AIOUF2032AXXX-XXX</p>	

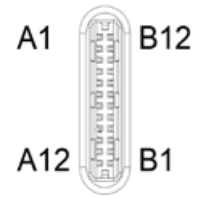
Product Description: USB TYPE-C, male connector, pre-molded patch cable, with thread, shieldable, IP65 waterproof



Illustration



Drawings



Pin assignment

Technical data

General

Standard	TYPE-C
Locking system	Fix screw locking
Gender	Female
Series	AIO
Coding	/
Torque	/
Category	Pre-molded cable
Connection type	Solder connection
Cable outlet	4.5mm
Custom tariff number	85444290
Country of origin	China

Electrical

Rated current	3A
Rated voltage	5V
Rated Impulse voltage	300V
Insulation resistance	≥ 100 MΩ
EMC compliance	shieldable
Degree of protection	IP65
Mechanical operation	> 100 mating cycles
Operating temperature	-25°C ~ 85°C

Cable

Cable type	UL Style
Conductor cross section	0.35mm ²
Wire gauge	22AWG
Jacket	PVC/TPE
Temperature	-20°C ~ 80°C
Other resistance	UV resistant (720 h) UL 2556 Premium oil resistance (jacket)
Wire colour	variable
Length	variable

Material

Flammability rating	Acc. to UL94V-0
Contact material	Brass with Gold plated
Insulation material	PA
Jam nut material	PA
Sealing material	EPDM
Shell material	PA

Certificates

No Number of contacts
1 24

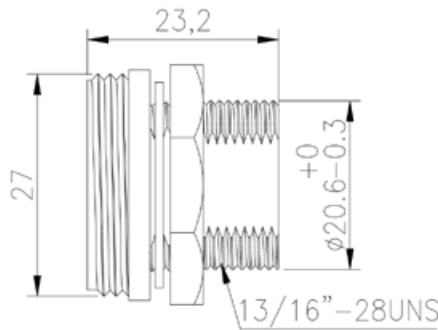
Cable specification and length
variable

Ordering P/N
AIOUM2411AXXX-XXX

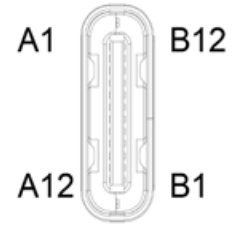
Product Description: USB TYPE-C, female connector, with thread, panel rear mount, shieldable, IP65 waterproof



Illustration



Drawings



Pin assignment

Technical data

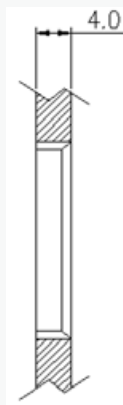
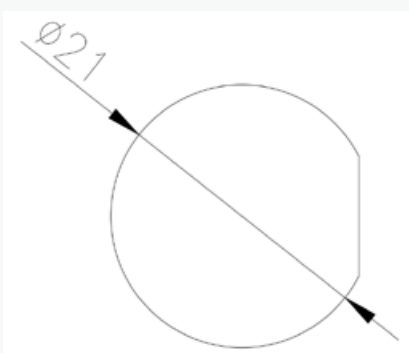
General

Standard	TYPE-C
Locking system	Fix screw locking
Gender	Female
Series	AIO
Coding	/
Torque	/
Category	Pre-molded cable
Connection type	PCB dip-solder connection
Cable outlet	/
Custom tariff number	85444290
Country of origin	China

Electrical

Rated current	3A
Rated voltage	5V
Rated Impulse voltage	300V
Insulation resistance	≥ 100 MΩ
EMC compliance	shieldable
Degree of protection	IP65
Mechanical operation	> 100 mating cycles
Operating temperature	-25°C ~ 85°C

Panel cut-out



Material

Flammability rating	Acc. to UL94V-0
Contact material	Brass with Gold plated
Insulation material	PA
Jam nut material	PA
Sealing material	EPDM
Shell material	PA

Certificates

No Number of contacts
1 24

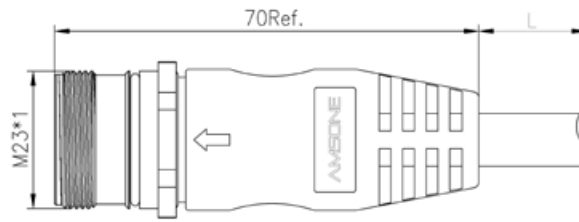
Cable specification and length
variable

Ordering P/N
AIOTF3032AXXX-XXX

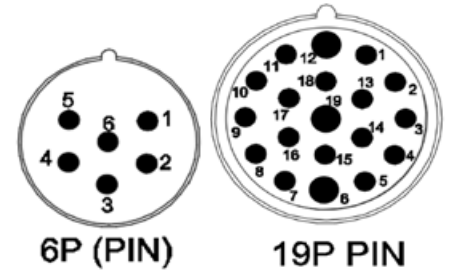
Product Description: M23 pre-molded cable connector, male, contacts: 6,19(16+3), solder connection, straight, IP67



Illustration



Drawings



Pin assignment

Technical data

General Standard / Locking system Fix screw locking Gender Male Series AM23 Coding A Torque 0.6N.M Category Pre-molded cable Connection type Solder connection Cable outlet 9~13mm Custom tariff number 85444290 Country of origin China	Electrical Rated current 6P 19P Rated voltage 20A 8A Rated Impulse voltage 250V 150V Insulation resistance 2500V 1500V Insulation resistance $\geq 100 \text{ M}\Omega$ EMC compliance Optional Degree of protection IP67 Mechanical operation > 500 mating cycles Operating temperature -25°C ~ 85°C
--	---

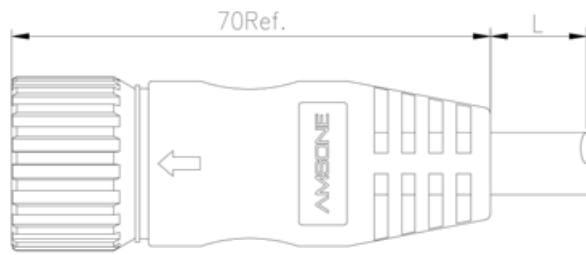
Cable Cable type variable Conductor cross section 0.35~2.5mm ² Wire gauge 22AWG~14AWG Jacket TPU Temperature -25°C ~ 80°C Other resistance UV resistant (720 h) UL 2556 Premium oil resistance (jacket) Wire colour variable Length variable	Material Flammability rating Acc. to UL94V-0 Contact material Brass with Gold plated Insulation material PA66 Jam nut material Brass with Nickel plated Sealing material Silicone Molding material TPU Certificates
--	--

No 1 2	Number of contacts 6 19	Cable specification and length variable	Ordering P/N AM23M0611AXXX-XXX AM23M1911AXXX-XXX
---------------------	--------------------------------------	---	---

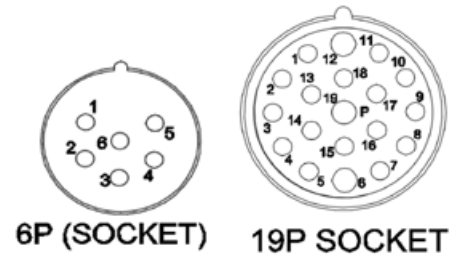
Product Description: M23 pre-molded cable connector, female, contacts: 6,19(16+3), solder connection, straight, IP67



Illustration



Drawings



Pin assignment

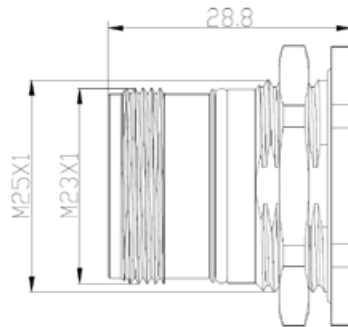
Technical data

General Standard / Locking system Fix screw locking Gender Female Series AM23 Coding A Torque 0.6N.M Category Pre-molded cable Connection type Solder connection Cable outlet 6~13mm Custom tariff number 85444290 Country of origin China		Electrical 6P 19P Rated current 20A 8A Rated voltage 250V 150V Rated Impulse voltage 2500V 1500V Insulation resistance $\geq 100 \text{ M}\Omega$ EMC compliance Optional Degree of protection IP67 Mechanical operation > 500 mating cycles Operating temperature $-25^{\circ}\text{C} \sim 85^{\circ}\text{C}$	
Cable Cable type variable Conductor cross section $0.35 \sim 2.5 \text{ mm}^2$ Wire gauge 22AWG~14AWG Jacket TPU Temperature $-25^{\circ}\text{C} \sim 80^{\circ}\text{C}$ Other resistance UV resistant (720 h) UL 2556 Premium oil resistance (jacket) Wire colour variable Length variable		Material Flammability rating Acc. to UL94V-0 Contact material Brass with Gold plated Insulation material PA66 Jam nut material Brass with Nickel plated Sealing material Silicone Molding material TPU Certificates	
No 1 2	Number of contacts 6 19	Cable specification and length variable	Ordering P/N AM23F0611AXXX-XXX AM23F1911AXXX-XXX

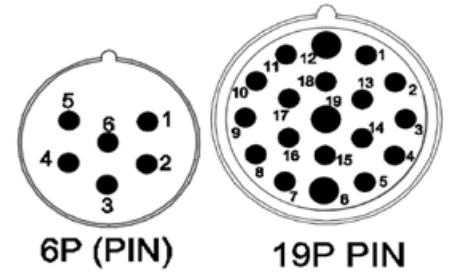
Product Description: M23 panel receptacle, rear mount, male, contacts:6,19(16+3) solder connection for wires, straight, IP67



Illustration



Drawings

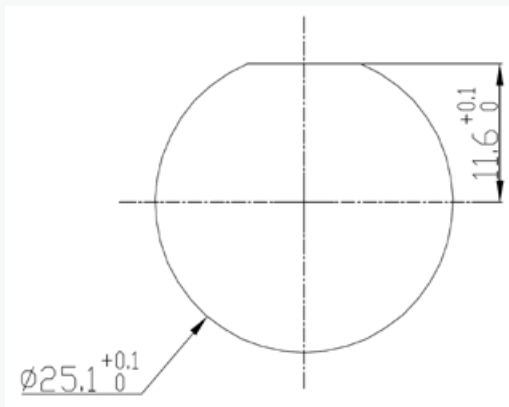


Pin assignment

Technical data

General		Electrical	6P		19P
Standard	/	Rated current	20A		8A
Locking system	Fix screw locking	Rated voltage	250V		150V
Gender	Male	Rated Impulse voltage	2500V		1500V
Series	AM23	Insulation resistance	≥ 100 MΩ		
Coding	A	EMC compliance	Optional		
Torque	0.6Nm	Degree of protection	IP67		
Category	Device connector, front mount	Mechanical operation	> 500 mating cycles		
Connection type	Solder connection	Operating temperature	-25°C ~ 85°C		
Cable outlet	/				
Custom tariff number	85444290				
Country of origin	China				

Panel cut-out



Material	
Flammability rating	Acc. to UL94V-0
Contact material	Brass with Gold plated
Insulation material	PA66
Jam nut material	Brass with Nickel plated
Sealing material	NBR
Shell material	Brass with Nickel plated

Certificates

No	Number of contacts	Fastening thread	Ordering P/N
1	6	/	AM23M0622A001
2	19		AM23M1922A001



Custom Wire Harness and Cable Assembly

Whatever type of connection you need, Amissiontech offers flexible manufacturing and best technical solutions for your applications, from prototyping to series production, from diverse connectors to individual cables, which means highly available, durable and efficient and makes us a specialist in custom designing and production.

■ Features

- > Good knowledge in industrial connectivity
- > Electromechanical design, Prototype, and Test supports
- > Mold design and manufacture
- > Internal and External over molded solution
- > Plastic injection and CNC-turnery
- > High quality, Cost-effective and Accurate delivery
- > UL/CE/RoHS Certified

■ Products and Services Category

- > Industrial wire harness and cable assemblies
- > Standard or customized power cords
- > Temperature sensor cable
- > Audio,Video cable and RF coaxial cable
- > Standard or customized solutions

■ Technology and Capabilities

1.Connector Manufacturing

- 2D or 3D drawings for engineering analysis.
- Development for toolings and early design in evaluation.
- Plastic injection,machining,finishing process in house for housings and terminals.
- Manually assembly,full automatic and half-automatic assembly for connectors.

2.Cable Preparation

- Trimming, stripping, tin coating, shielding, twisting.

3.Contacting

- Crimping,soldering,crimp-soldering,pressing,screwing,gluing.

4.Final Assembly

- Bolting,binding,shrinking,extruding, strain relief molding, inner and outer molding.

5.Mechanical and Electrical test

- Pull force, cross section and vibration test , aging/ bending/salt spray test, electric and visual test.

6.Labeling and Packing





IMPORTANT USER INFORMATION

Binding for the applications of connectors are the requirements of the equipment specifications of the users.

We reserve the right to change the design due to improvements in quality, further development or production requirements.

All technical data mentioned in this catalogue are related to connectors, meaning connecting devices which in normal use (when under load) shall not be inserted or withdrawn.

The connectors are developed and designed for the use in the field of equipment, control and electrical appliances. Whether they also can be used in other applications has to be checked by the user.

When mounting electrical conductive socket housings, they have to be integrated into the protection measures.

The wires to be connected shall be stripped only so far that distances to conductive parts are not shortened. When wires are soldered, it has to be borne in mind that no single strands stick out and no short circuit can occur.

All dimensions in this catalogue are in mm.

For connectors with strain relief the following minimum parameters are valid:

cable Φ :		Recommended tightening torque of the pressing screw 1)
2 - 3	min. 20N	30 - 40cNm
3 - 4	min. 30N	30 - 40cNm
4 - 5	min. 40N	80 - 100cNm
5 - 6	min. 50N	80 - 100cNm
6 - 7	min. 60N	80 - 100cNm
7 - 8	min. 70N	80 - 100cNm
8 - 12	min. 80N	100 - 140cNm
12 - 14	min. 120N	100 - 140cNm

These are guidelines. Depending on the cable type, material and thickness of the cable jacket, different tightening torques may be necessary. This must be checked in each individual case.

Connectors

Connectors are components which are not to be engaged or disengaged in normal use (under live).

Plug and socket devices

Plug and socket devices are components which in normal use (under live or load) may be engaged or disengaged when live or under load. According to DIN EN 61984 (VDE 0627).

Connection type

Screw connection

A screw connection is a detachable electrical connection between a conductor and a screw clamp. Screw clamps are designed acc. to DIN EN 60999-1/VDE 0609-1.

The chart below shows the screw size and the required clamping and testing torque.

Screw size		M2.5	M3	M3.5
Torque (cNm)	Cap screw	40	50	60
	Headless screw	20	25	40

Solder connection

Besides the soldering of single wires with solder irons or soldering machines, the method of wave soldering or infra-red vapor phase soldering has gained great importance for connectors for printed boards or flexible wiring.

We recommend the following soldering parameters

hand-soldering: soldering bath temperature max. 370°C/max. 4s

dip soldering: soldering bath temperature max. 270°C/max. 4s

alternative dip soldering: soldering bath temperature max. 260°C/max. 10s

When wires are soldered, it has to be watched that no single strands stick out which could lead to a short circuit and that no large solder joints occur which would reduce the clearance and creepage distances unfavourably. Testing and valuation of solder joints and the relevant components is regulated in IEC 60068-2.

Crimp connection

A crimp connection is a non-detachable electrical connection between a conductor and a crimp contact produced with the crimp technology. The requirements for crimp connections are defined in IEC 60352-2. An important point for the quality of a crimp connection is the achieved tensile strength of the termination. Since easy to measure, the tensile strength is a practicable means for quality control purposes. The diagram below shows the required minimum tensile strength depending on the wire size.

Degree of protection (IP-Code)

For safety reasons, connectors have to be protected from outside influences like dust, foreign objects, direct contact, moisture and water. This protection is provided on industrial connectors by their housings with their latching devices and sealed cable entries. The degree of protection can be selected depending on the type of intended use and is valid for AMSONE connectors when mated and locked. The standard IEC 60529 has specified and divided the degree of protection into several classes.

The degree of protection is indicated in the following way:



The following charts give an overview about all protection degrees.

1st character	Definition	Remark	2nd character	Definition	Remark
0	Non-protected		0	Non-protected	
1	Protected against access to hazardous parts with the back of a hand. Protected against solid foreign objects of $\varnothing \geq 50$ mm		1	Protected against water drops	
2	Protected against access to hazardous parts with a finger. Protected against solid foreign objects of $\varnothing \geq 12.5$ mm		2	Protected against water drops when enclosure tilted up to 15°	
3	Protected against access to hazardous parts with a wire. Protected against solid foreign objects $\varnothing \geq 2.5$ mm		3	Protected against spraying water	Water sprayed at an angle up to 60° on either side of the vertical shall have no harmful effects
4	Protected against access to hazardous parts with a wire. Protected against solid foreign objects $\varnothing \geq 12.5$ mm		4	Protected against splashing water	Water splashed against the disclosure from any direction shall have no harmful effects
5	Protected against access to hazardous parts with a wire. Dust-protected	Intrusion of dust is not totally prevented, but dust shall not penetrate in a quantity to interfere with satisfactory operation of the device or to impair safety	5	Protected against water jets	
6	Protected against access to hazardous parts with a wire. Dust-protected	No intrusion of dust	6	Protected against powerful water jets	
			7	Protected against the effects of temporary immersion in water	Intrusion of water in quantities causing harmful effects shall not be possible when the enclosure is temporarily immersed in water for 30 min. in 1 m depth
			8	Protected against the effects of continuous immersion in water	Intrusion of water in quantities causing harmful effects shall not be possible when the enclosure is continuously immersed in water under conditions which shall be agreed between manufacturer and user but which are more severe than for numeral 7
			9K2	Protected against water during high pressure/stream cleaning	A strong water jet splashed with high pressure and high temperature against the disclosure from any direction shall have no harmful effects. Test conditions: 100 bar water pressure, 80°C water temperature, water delivery rate 15L/min., distance to housing 10 cm, test-duration 30 sec. per position, (angle 0°, 30°, 60°, 90°) on a rotating table turning at 5 revolutions per minute

Electrotechnical informatio

Current carrying capacity

"The current carrying capacity of a connector denotes the current that can be carried continuously and simultaneously through all its contacts. It is determined by testing following the standard IEC 60512-5-2"

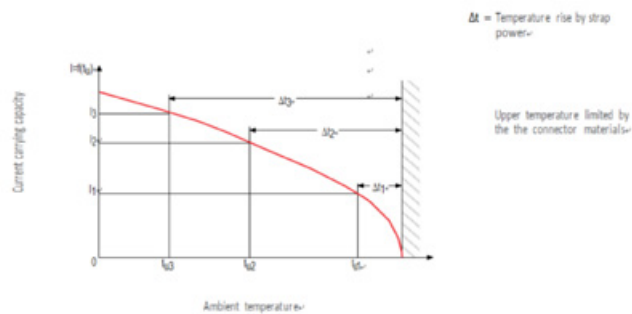
"The upper limit temperature results from the thermal properties of the contact and insulating materials. The sum of the ambient temperature and the temperature created by the current flow may not exceed the upper limit temperature of the connector.."

This means, that the current carrying capacity is no fixed value but decreases with increasing ambient temperatures. This relation between current, the caused temperature rise and ambient temperature of the connector is depicted in a curve, the so-called derating curve. As one can see, the current carrying capacity decreases with increasing ambient temperature.

On the other hand, very often not all contacts are loaded simultaneously with the whole rated current, so that some single contacts can carry a higher current than that according to the derating curve.

These currents have to be determined by testing.

Derating curve



General user information

Shielding, Electromagnetic compatibility (EMC)

"Since the issue of the German law about electromagnetic compatibility of equipment, more attention is paid to EMI within the concerned equipment.

The equipment has to be designed in such a way that"

1. the generation of electromagnetic interference is limited to such extend that the determined operation of this equipment is not hampered,
 2. the equipment has a reasonable resistance against electromagnetic interference so that the determined operation is not hampered.
- To satisfy the requirements of the equipment manufacturers, more and more connectors with shielding properties are applied where shielded cables can be connected. In use are conductive housings to which the cable shield can be terminated.

In case of circular connectors, it should be watched that the cable shield is carefully connected to the connector shield. A circumferentially (360°) contact is optimal in this case. Good shielding values (and very often sufficient for practical use) are also achieved when the shielding braid is firmly connected to the conductive housing.

Not sufficient are fully plastic connectors without metal sleeves with no possibility to terminate the cable shield. Furthermore, it is important that during mating a secure electrical connection between plug and socket housing is achieved and that the panel mounted connector part has a good metallic connection with the chassis wall.

"The shielding attenuation is stated in decibel (db) and depends on the frequency.

Good shieldings have a high attenuation, which over a large frequency band (MHz) does not decrease too heavily."

"Information about used materials"

Two material groups are used to manufacture the connectors described in this catalogue:

- > Metals for contacts and housings
- > Plastic material for inserts and housings.

Materials for contacts

The properties of contacts are defined to a large extent by the used materials. Decisive features are:

- > strength and spring properties
- > electrical conductivity
- > max. operating temperature

"Considering these points, AMSONE Connector is using proven copper alloys for the manufacture of contacts; for pin contacts brass (CuZn), for socket contacts phosphor bronze (CuSn). Brass combines good strength with good conductivity and temperature stability. Phosphor bronze offers next to a good conductivity very good spring capabilities and a high temperature performance."

Materials for metal housings

Depending on the application, the metal housings are produced from either brass, zinc die cast or an aluminium alloy. For circular housing parts, mainly brass is used due to its good machine ability and strength. For angled housings and parts with minor finishing work, zinc die cast or an aluminium alloy is used.

Plastic material for inserts

The inserts of AMSONE connectors are manufactured primarily from PA, a plastic material with a temperature stability of up to 120 °C and special properties for high grade moulded parts. The material has very good chemical and electrical properties and very good dimensional stability.

Surface finishes

"In order to protect contacts and housings from aggressive environments and to improve the conductivity, the surfaces are treated accordingly. At AMSONE, contacts are gold plated. For applications in the mA-range at very low voltages, These platings improve the conductivity and are very corrosion proof, which also improve the electrical properties and in addition, it increases the corrosion-proofness. Housings are anodised or covered with a plating of either nickel or chromium for anti corrosion and decorative reasons."

Material for sealings

To achieve the required protection class, all Binder circular connectors are equipped with sealing rings of an elastomeric material.

Depending on the final use, AMSONE has selected Chloroprene Rubber, or Fluor silicon Rubbe.

Plastic material for housings

Plastic housings are primarily manufactured from PA (Polyamide). This well proven material (internationally known under the name Nylon) is very tough, non abrasive, resistant against solvents, oils and greases and can be used at temperatures up to 120°C.

Norms and test conditions

Additional information to the technical data mentioned in this catalogue

Characteristics	Standard	Remark
Shell protection	IEC 60529, ISO 20653 (IP69K)	Value in mated condition.
Mechanical operation	IEC 60512-9-1	Test is performed without electrical load.
Upper temperature	IEC 60512-6	Test condition is 168 hrs.
Lower temperature	IEC 60512-6	Test condition is 2 hrs.
Test voltage	IEC 60664-1	Highest value of an impulse voltage without a breakdown of the insulation.
Rated impulse voltage	IEC 60664-1	Derived from overvoltage category and rated voltage.
Pollution degree	IEC 60664-1	
Current carrying capacity	IEC 60512-5-2	
Rated current		Related to an ambient temperature of +40°C (104°F).
Contact resistance	IEC 60512-2-1	Resistance between contact pin and contact socket in mated condition over a defined length.

It has to be noted that all technical data represent initial values

American Wire Gauges

AWG	Wire composition (mm)	Wire (mm)	Wire gauge (mm ²)
30	1*0.25	0.25	0.05
	7*0.10	0.36	0.06
28	1*0.32	0.32	0.08
	7*0.127	0.38	0.09
26	1*0.40	0.41	0.13
	7*0.16	0.48	0.14
	19*0.10	0.51	0.16
24	1*0.51	0.51	0.21
	7*0.20	0.61	0.23
	19*0.127	0.61	0.24
22	1*0.64	0.64	0.33
	7*0.254	0.76	0.36
	19*0.16	0.79	0.38
20	7*0.32	0.97	0.56
	19*0.20	0.95	0.60
	26*0.16	0.92	0.53
18	19*0.254	1.28	0.96
	41*0.16	1.18	0.83
16	26*0.254	1.5	1.32
14	41*0.254	1.86	2.08
12	65*0.254	2.4	3.3
10	105*0.254	2.95	6.32

Since various areas of industry are also using wires according to the American Wire Gauge (AWG), the following comparison chart is included to allow a cross reference between AWG and metric wire sizes (mm²).

It has to be noted that wires of the same AWG number but with different composition have slightly different mm²!

Amissiontech Co., Ltd



2nd Bld, No.8 Huafu Rd, Shangsha Community, Chang'an of Dongguan, 523870, China

Tel: +86 769 8158 2878

Fax: +86 769 8158 2898

Mail: info@amissiontech.com

Web: www.amissiontech.com